



Chipsmall Limited consists of a professional team with an average of over 10 year of expertise in the distribution of electronic components. Based in Hongkong, we have already established firm and mutual-benefit business relationships with customers from,Europe,America and south Asia,supplying obsolete and hard-to-find components to meet their specific needs.

With the principle of “Quality Parts,Customers Priority,Honest Operation,and Considerate Service”,our business mainly focus on the distribution of electronic components. Line cards we deal with include Microchip,ALPS,ROHM,Xilinx,Pulse,ON,Everlight and Freescale. Main products comprise IC,Modules,Potentiometer,IC Socket,Relay,Connector.Our parts cover such applications as commercial,industrial, and automotives areas.

We are looking forward to setting up business relationship with you and hope to provide you with the best service and solution. Let us make a better world for our industry!



## Contact us

Tel: +86-755-8981 8866 Fax: +86-755-8427 6832

Email & Skype: info@chipsmall.com Web: www.chipsmall.com

Address: A1208, Overseas Decoration Building, #122 Zhenhua RD., Futian, Shenzhen, China



4

3

2

1

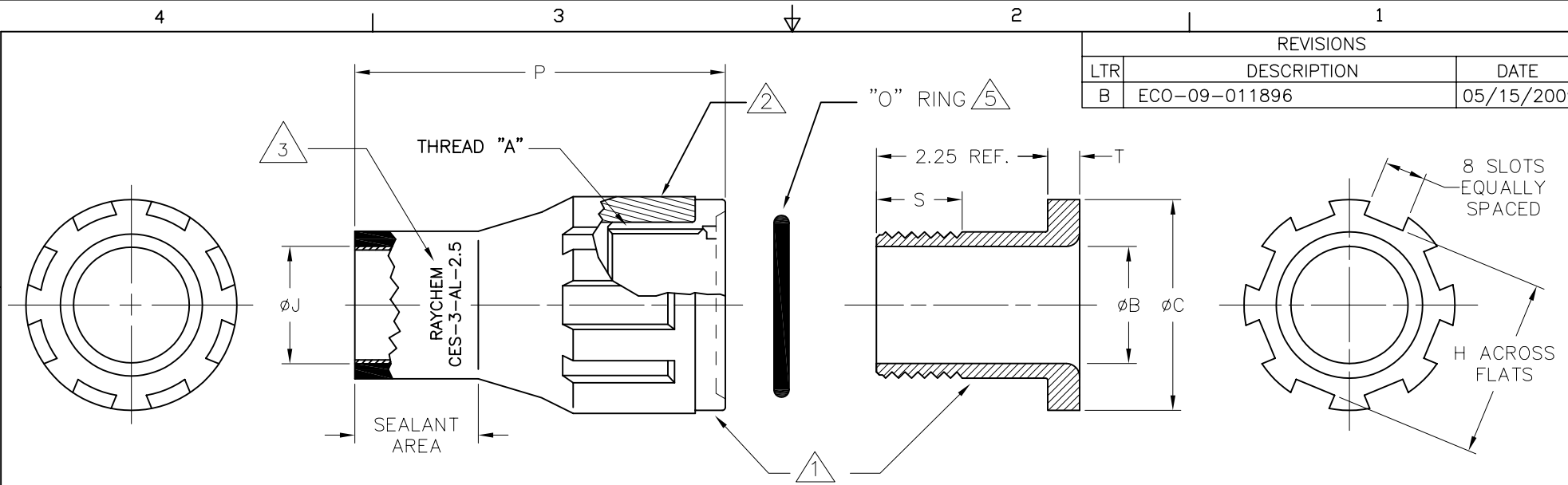
REVISIONS		
LTR	DESCRIPTION	DATE
B	ECO-09-011896	05/15/2009

D

C

D

C



PART DESCRIPTION	"A" THREAD	ØB MIN	ØC REF	H REF	ØJ		P REF REC	S REF	T REF	PANEL THK <sup>4</sup>	DRILL HOLE DIA. (REF.)
					MIN EXP	MAX REC					
CES-3-AL-2.5	1 3/8-12 UNF	1.10 [27,94]	1.90 [48,26]	1.65 [41,9]	1.20 [30,48]	.50 [12,7]	3.55 [90,17]	1.25 [31,2]	.31 [7,88]	1.5 [38]	1.38 [35,1]

B

B

## NOTES:

- <sup>1</sup> MATERIAL: ALUMINUM 6061-T6 WITH FINISH OF HARD ANODIZE PER MIL-A-8625F, TYPE III, CLASS 2, DYED BLACK AND NON-REFLECTIVE COATING.
- <sup>2</sup> BOOT: HEAT SHRINKABLE, MATERIAL IN ACCORDANCE WITH -3 POLYOLEFIN
- <sup>3</sup> PART TO BE MARKED AS SHOWN.
- <sup>4</sup> THIS PART IS DESIGNED TO FIT THROUGH A PANEL OR BULKHEAD WITH A WALL THICKNESS (REF.) AS INDICATED IN TABLE.
- <sup>5</sup> O-RING MATERIAL: NITRILE (BUNA-N)

## CUSTOMER DRAWING

UNLESS OTHERWISE SPECIFIED DIMENSIONS ARE INCHES. METRIC DIMENSIONS ARE IN BRACKETS.		DRAWN UNGUYEN		APPROVED JKUSTER		 Raychem Molded Parts 305 Constitution Dr Menlo Park, CA 94025	
DECIMAL TOLERANCES .XXX ± 0.005 [0.13 mm] .XX ± 0.01 [0.25 mm] .X ± 0.1 [0.50 mm]		RPN CP2775-000		THIRD ANGLE PROJECTION			
ANGLE TOLERANCE .X ± 1 DEG.		SIZE B		CODE IDENT. NO. 06090		DWG. NO. CES-3-AL-2.5	
© 2009 Tyco Electronics Corporation. All rights reserved.		DO NOT SCALE THIS DRAWING		SHEET 1 OF 1			

A

If this document is printed it becomes uncontrolled. Check for the latest revision

4

3

2

1