



Chipsmall Limited consists of a professional team with an average of over 10 year of expertise in the distribution of electronic components. Based in Hongkong, we have already established firm and mutual-benefit business relationships with customers from,Europe,America and south Asia,supplying obsolete and hard-to-find components to meet their specific needs.

With the principle of "Quality Parts,Customers Priority,Honest Operation,and Considerate Service",our business mainly focus on the distribution of electronic components. Line cards we deal with include Microchip,ALPS,ROHM,Xilinx,Pulse,ON,Everlight and Freescale. Main products comprise IC,Modules,Potentiometer,IC Socket,Relay,Connector.Our parts cover such applications as commercial,industrial, and automotives areas.

We are looking forward to setting up business relationship with you and hope to provide you with the best service and solution. Let us make a better world for our industry!



Contact us

Tel: +86-755-8981 8866 Fax: +86-755-8427 6832

Email & Skype: info@chipsmall.com Web: www.chipsmall.com

Address: A1208, Overseas Decoration Building, #122 Zhenhua RD., Futian, Shenzhen, China



CP5 SERIES

Single-phase current monitor



Description

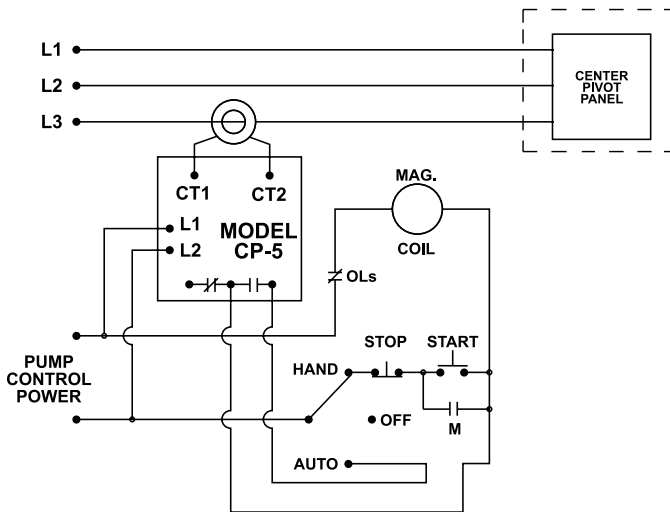
The CP5 Series are undercurrent monitors designed to monitor one leg of a 3-phase system. It is commonly used as a tower monitor on center pivot irrigation systems to detect stalled or jammed towers to prevent over watering.

The CP5 Series has both an adjustable level and an adjustable trip delay timer. When the current is sensed, the CP5 Series activates its output relay, thus starting the motor/pump. When the current in the monitored power line falls below the user-selectable trip point, the unit goes through a trip delay timer and then deactivates the output relay if the monitored current does not recover first.

Features & Benefits

FEATURES	BENEFITS
Adjustable trip level (0-5A)	Provides ability to precisely set the current trip point for any application
Adjustable trip delay (0-10m)	Prevents nuisance tripping due to power line fluctuations
600V rated relay contacts available on CP-5-460 model	Eliminates the need for a control transformer to step voltage down to 120 - 240V for a control circuit

Wiring Diagram



Specifications

Input Characteristics

Nominal Input Voltage	
CP5115	115VAC
CP5460	460VAC
Frequency	50*/60Hz

Functional Characteristics

Operating Points	
Trip Level	0-5 Amps
Trip Delay	0-10 minutes
Restart	1 second

Output Characteristics

Output Contact Rating (SPDT)	
Pilot Duty	
CP5115	480VA @ 240VAC
CP5460	470VA @ 600VAC

General Characteristics

Terminal	
Torque	7 in.-lbs.
Wire Size	12-18AWG
Safety Marks	
UL	UL508 (File #E68520)
Dimensions	H 74.4 mm (2.93"); W 133.9 mm (5.27"); D 74.9 mm (2.95")
Weight	1 lb. (16 oz., 453.59 g)
Mounting Method	#8 screws

*Note: 50Hz will increase all delay timers by 20%

Ordering Information

MODEL	LINE VOLTAGE
CP5115	115VAC
CP5460	460VAC