



Chipsmall Limited consists of a professional team with an average of over 10 year of expertise in the distribution of electronic components. Based in Hongkong, we have already established firm and mutual-benefit business relationships with customers from,Europe,America and south Asia,supplying obsolete and hard-to-find components to meet their specific needs.

With the principle of “Quality Parts,Customers Priority,Honest Operation,and Considerate Service”,our business mainly focus on the distribution of electronic components. Line cards we deal with include Microchip,ALPS,ROHM,Xilinx,Pulse,ON,Everlight and Freescale. Main products comprise IC,Modules,Potentiometer,IC Socket,Relay,Connector.Our parts cover such applications as commercial,industrial, and automotives areas.

We are looking forward to setting up business relationship with you and hope to provide you with the best service and solution. Let us make a better world for our industry!



Contact us

Tel: +86-755-8981 8866 Fax: +86-755-8427 6832

Email & Skype: info@chipsmall.com Web: www.chipsmall.com

Address: A1208, Overseas Decoration Building, #122 Zhenhua RD., Futian, Shenzhen, China



受控 CONTROLLED DOCUMENT

编号 P/N	CP882-CUST	版本 Rev	01	日期 Rel'd Date	Apr29,09
-----------	------------	-----------	----	------------------	----------

DRAWING NO.
CP882-CUST

REVISIONS

OFFICIAL RELEASE

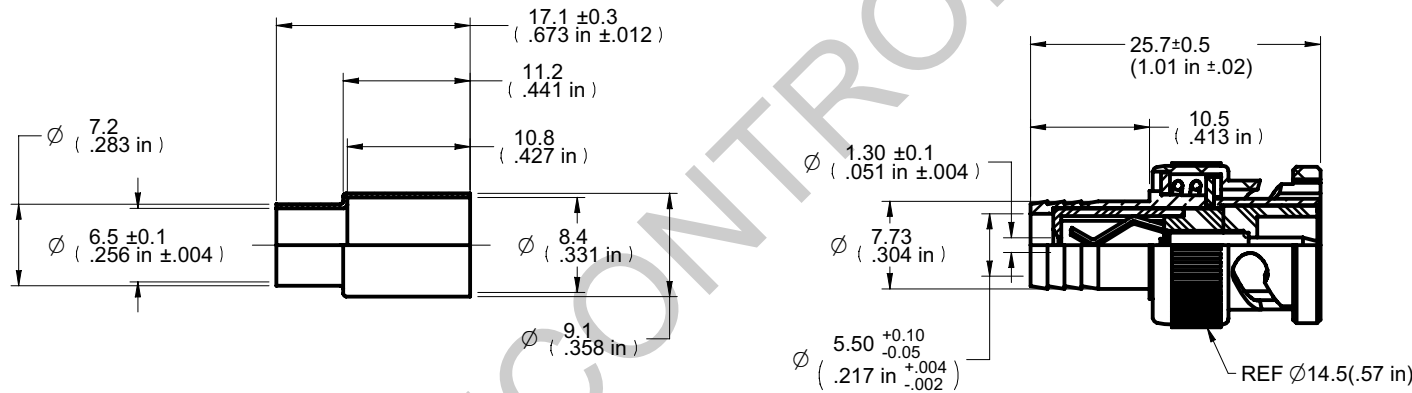
01

02-20-09	J	W	B	T	Thomas Chow
----------	---	---	---	---	-------------



Description: Straight BNC Crimp Plug For RG59, RG62 Style Cable
 Part No: CP882
 Application: For RG59, RG62 Cable
 Crimp Tool: 24-9859P
 Impedance: 50 Ohms
 Frequency Range: 0-4 GHz
 Material: Body: Brass Nickel plated
 Contact: Brass Gold plated
 Insulator: TPX
 Crimp Sleeve: Brass Nickel plated
 Coupling Nut: Zinc Nickel plated

RoHS Compliance: Yes
 Technical Detail: Refer to Emerson Document P/N 27-0000



DIM OUTLINE

CUSTOMER COPY

TOLERANCE UNLESS OTHERWISE SPECIFIED		DRAWN BY IVON.W	DATE 02-20-09
DECIMALS	mm	CHECKED BY BETTY.YU	DATE 02-20-09
X	± 0.5	APPROVED BY TOHMAS	DATE 02-20-09
X.X	± 0.3	U/M	mm
X.XX	± 0.1		
ANGLES	± 0.5°		

TITLE STRAIGHT BNC CRIMP PLUG FOR RG59, RG62 STYLE CABLE		
SHEET 1 OF 1	DRAWING NO. CP882-CUST	SIZE A

THIS DRAWING WAS PRODUCED BY COMPUTER, DO NOT SCALE DRAWING OR UPDATE MANUALLY.