



Chipsmall Limited consists of a professional team with an average of over 10 year of expertise in the distribution of electronic components. Based in Hongkong, we have already established firm and mutual-benefit business relationships with customers from,Europe,America and south Asia,supplying obsolete and hard-to-find components to meet their specific needs.

With the principle of “Quality Parts,Customers Priority,Honest Operation,and Considerate Service”,our business mainly focus on the distribution of electronic components. Line cards we deal with include Microchip,ALPS,ROHM,Xilinx,Pulse,ON,Everlight and Freescale. Main products comprise IC,Modules,Potentiometer,IC Socket,Relay,Connector.Our parts cover such applications as commercial,industrial, and automotives areas.

We are looking forward to setting up business relationship with you and hope to provide you with the best service and solution. Let us make a better world for our industry!



Contact us

Tel: +86-755-8981 8866 Fax: +86-755-8427 6832

Email & Skype: info@chipsmall.com Web: www.chipsmall.com

Address: A1208, Overseas Decoration Building, #122 Zhenhua RD., Futian, Shenzhen, China



5

4

3

2

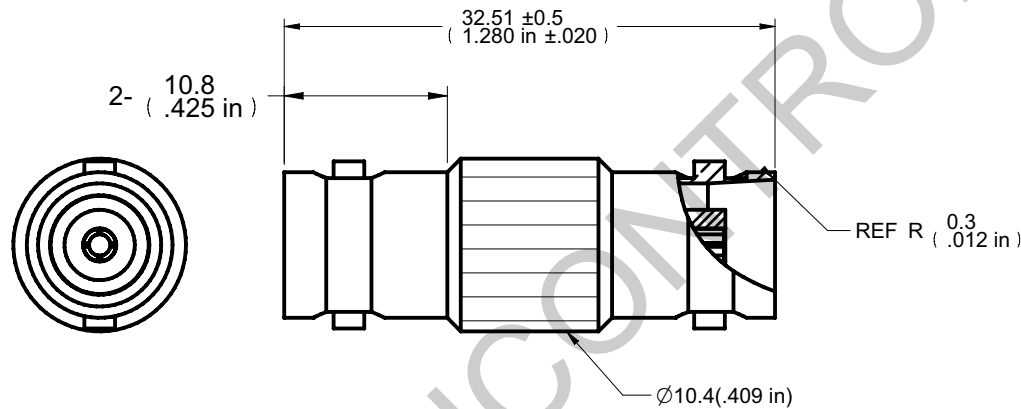
1

受控 CONTROLLED DOCUMENT				
编号 P/N	CPAD555-CUST	版本 Rev	02	日期 Rel'd Date
				Aug4,11

Description: BNC Adapter Jack to Jack
 Part No: CPAD555
 Application: Adapter
 Crimp Tool: N/A
 Impedance: 50 Ohms
 Frequency Range: 0-4 GHz
 Material: Body: Brass Nickel plated
 Contact: Berllium Copper Gold plated
 Insulator: TEFLON
 RoHS Compliance: Yes
 Technical Detail: Refer to Emerson Document P/N 27-0000



DRAWING NO. CPAD555-CUST	
REVISIONS	
01	OFFICIAL RELEASE
02	RELEASE FOR SUPPLIER ALTER



DIM OUTLINE

CUSTOMER COPY

TOLERANCE UNLESS OTHERWISE SPECIFIED		DRAWN BY YUGE HU	DATE 07-27-11
DECIMALS	mm	CHECKED BY YUGE HU	DATE 07-27-11
X	± 0.5	APPROVED BY LIN MA	DATE 07-27-11
X.X	± 0.3		
X.XX	± 0.1		
ANGLES	± 0.5°	U/M	mm

		TITLE BNC ADAPTER JACK TO JACK	
		SHEET 1 OF 1	DRAWING NO. CPAD555-CUST

THIS DRAWING WAS PRODUCED BY COMPUTER, DO NOT SCALE DRAWING OR UPDATE MANUALLY.

SIZE
A

5

4

3

2

1