



Chipsmall Limited consists of a professional team with an average of over 10 year of expertise in the distribution of electronic components. Based in Hongkong, we have already established firm and mutual-benefit business relationships with customers from,Europe,America and south Asia,supplying obsolete and hard-to-find components to meet their specific needs.

With the principle of “Quality Parts,Customers Priority,Honest Operation,and Considerate Service”,our business mainly focus on the distribution of electronic components. Line cards we deal with include Microchip,ALPS,ROHM,Xilinx,Pulse,ON,Everlight and Freescale. Main products comprise IC,Modules,Potentiometer,IC Socket,Relay,Connector.Our parts cover such applications as commercial,industrial, and automotives areas.

We are looking forward to setting up business relationship with you and hope to provide you with the best service and solution. Let us make a better world for our industry!



## Contact us

Tel: +86-755-8981 8866 Fax: +86-755-8427 6832

Email & Skype: info@chipsmall.com Web: www.chipsmall.com

Address: A1208, Overseas Decoration Building, #122 Zhenhua RD., Futian, Shenzhen, China



5

4

3

2

1

D

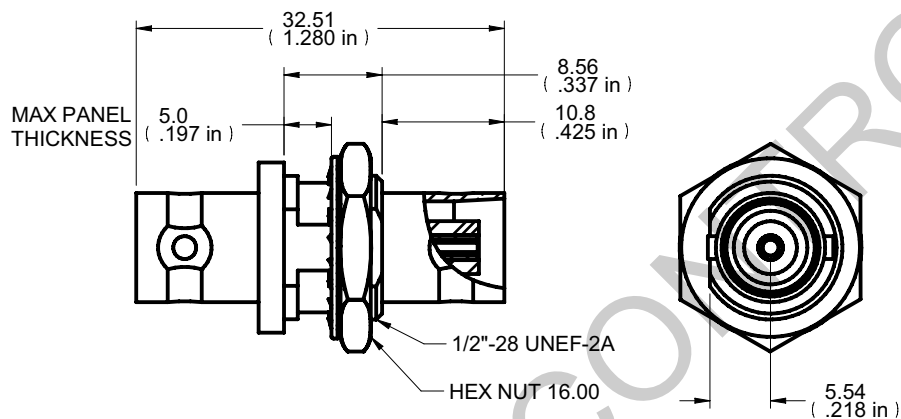
C

B

A



Description: BNC Bulkhead Adapter Jack to Jack  
 Part No: CPAD556M  
 Application: Adapter  
 Crimp Tool: N/A  
 Impedance: 50 Ohms  
 Frequency Range: 0-4 GHz  
 Material: Body: Brass Nickel plated  
 Contact: BerylliumCopper Gold plated  
 Insulator: Teflon  
 Lock Washer: Brass Nickel plated  
 HEX Nut: Brass Nickel plated  
 RoHS Compliance: Yes  
 Technical Detail: Refer to Emerson Document P/N 27-0000



**DIM OUTLINE**

DRAWING NO.	
CPAD556M-CUST	
REVISIONS	
01	OFFICIAL RELEASE
	02-20-09 W B T
02	RELEASE FOR SUPPLIER ALTER
	07-27-11 Y G M L <i>Li-Ma</i> <small>Size 2011.07.28 14:09:59 +0800</small>

D

C

B

A

**CUSTOMER COPY**

受控 CONTROLLED DOCUMENT					
编号 P/N	CPAD556M-CUST	版本 Rev	02	日期 Rel'd Date	Aug4,11

TOLERANCE UNLESS OTHERWISE SPECIFIED		DRAWN BY	DATE
DECIMALS		YUGE HU	07-27-11
X	± 0.5	CHECKED BY	DATE
X.X	± 0.3	YUGE HU	07-27-11
X.XX	± 0.1	APPROVED BY	DATE
ANGLES	± 0.5°	YUGE HU	07-27-11
		U/M mm	



TITLE		
BNC BULKHEAD ADAPTER JACK TO JACK		
SHEET	DRAWING NO.	SIZE
1 OF 1	CPAD556M-CUST	A

THIS DRAWING WAS PRODUCED BY COMPUTER, DO NOT SCALE DRAWING OR UPDATE MANUALLY.

5

4

3

2

1