



Chipsmall Limited consists of a professional team with an average of over 10 year of expertise in the distribution of electronic components. Based in Hongkong, we have already established firm and mutual-benefit business relationships with customers from,Europe,America and south Asia,supplying obsolete and hard-to-find components to meet their specific needs.

With the principle of “Quality Parts,Customers Priority,Honest Operation,and Considerate Service”,our business mainly focus on the distribution of electronic components. Line cards we deal with include Microchip,ALPS,ROHM,Xilinx,Pulse,ON,Everlight and Freescale. Main products comprise IC,Modules,Potentiometer,IC Socket,Relay,Connector.Our parts cover such applications as commercial,industrial, and automotives areas.

We are looking forward to setting up business relationship with you and hope to provide you with the best service and solution. Let us make a better world for our industry!



Contact us

Tel: +86-755-8981 8866 Fax: +86-755-8427 6832

Email & Skype: info@chipsmall.com Web: www.chipsmall.com

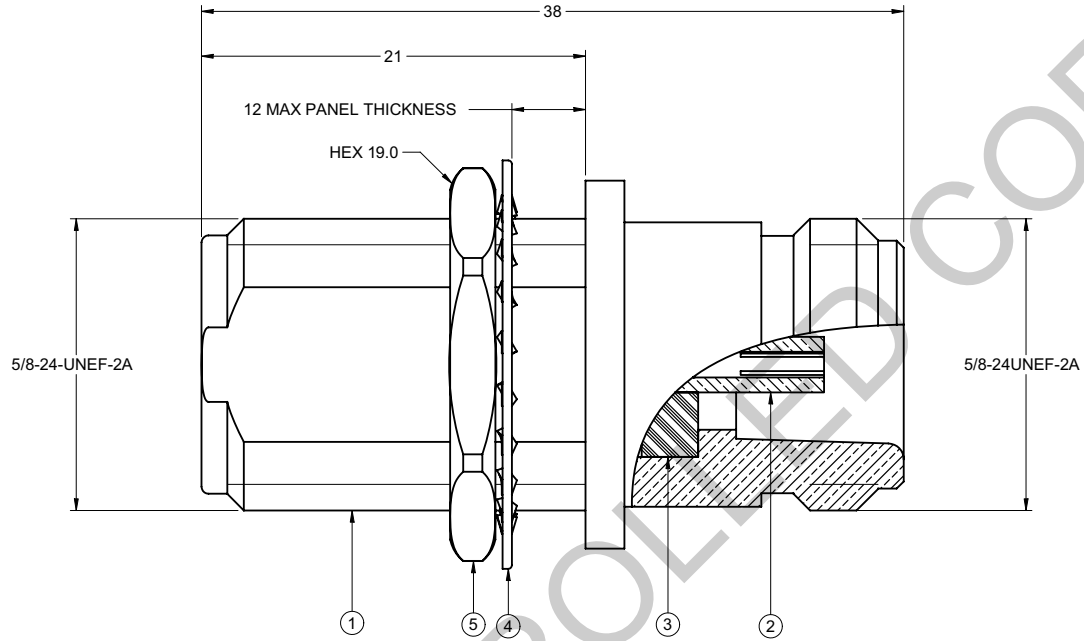
Address: A1208, Overseas Decoration Building, #122 Zhenhua RD., Futian, Shenzhen, China



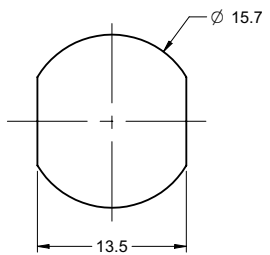
PART NUMBER	ITEM ① BODY	ITEM ② CONTACT	ITEM ③ INSULATOR	ITEM ④ LOCK WASHER	ITEM ⑤ MOUNTING NUT
CP-AD851	BRASS NICKEL PLATED	BERYLLIN GOLD PLATED	TEFLON	STEEL NICKEL PLATED	BRASS NICKEL PLATED

受控 CONTROLLED DOCUMENT					
编号 P/N	CP-AD851	版本 Rev	0A	日期 Rel'd Date	Mar 24,08

DRAWING NO. CP-AD851	
REVISIONS	
RELEASE FOR QUATION	
A	06-10-06 L Y T



RECOMMENDED MOUNTING HOLE DIMENSIONS



NOTES:

1. ELECTRICAL SPECIFICATIONS

IMPEDANCE: 50 OHMS NOMINAL
 FREQUENCY RANGE: 0-11 GHz
 WORKING VOLTAGE: 500 VOLTS RMS AT SEA LEVEL
 DIELECTRIC WITHSTANDING VOLTAGE: 1500 VOLTS RMS AT SEA LEVEL
 CORONA LEVEL: 375 VOLTS MIN AT 70,000 FEET
 CONTACT RESISTANCE: OUTER-0.2 MILLIOHMS MAX
 CENTER-2.1 MILLIOHMS MAX
 INSULATION RESISTANCE: 5000 MEGOHMS MIN

2. MECHANICAL SPECIFICATIONS

DURABILITY: 500 CYCLES MIN

3. ENVIRONMENTAL SPECIFICATIONS

RECOMMENDED TEMPERATURE RANGE: -55 °C TO +85 °C
 MOISTURE RESISTANCE: MIL-STD-202

THIS DRAWING TO BE INTERPRETED PER ANSI Y 14.5M - 1994

COMPANY CONFIDENTIAL

TOLERANCE UNLESS OTHERWISE SPECIFIED		DRAWN BY LINDA.WU	DATE 06-10-06
DECIMALS	mm	CHECKED BY BETTY.YU	DATE 06-10-06
X	± 0.5	APPROVED BY THOMAS	DATE 06-10-06
X.X	± 0.2	U/M	mm
X.XX	± 0.1		
ANGLES	± 0.5°		

TITLE N JACK TO BULKHEAD JACK ADAPTER	
SHEET 1 OF 1	DRAWING NO. CP-AD851
SIZE C	

THIS DRAWING WAS PRODUCED BY COMPUTER, DO NOT SCALE DRAWING OR UPDATE MANUALLY.