



Chipsmall Limited consists of a professional team with an average of over 10 year of expertise in the distribution of electronic components. Based in Hongkong, we have already established firm and mutual-benefit business relationships with customers from,Europe,America and south Asia,supplying obsolete and hard-to-find components to meet their specific needs.

With the principle of “Quality Parts,Customers Priority,Honest Operation,and Considerate Service”,our business mainly focus on the distribution of electronic components. Line cards we deal with include Microchip,ALPS,ROHM,Xilinx,Pulse,ON,Everlight and Freescale. Main products comprise IC,Modules,Potentiometer,IC Socket,Relay,Connector.Our parts cover such applications as commercial,industrial, and automotives areas.

We are looking forward to setting up business relationship with you and hope to provide you with the best service and solution. Let us make a better world for our industry!



Contact us

Tel: +86-755-8981 8866 Fax: +86-755-8427 6832

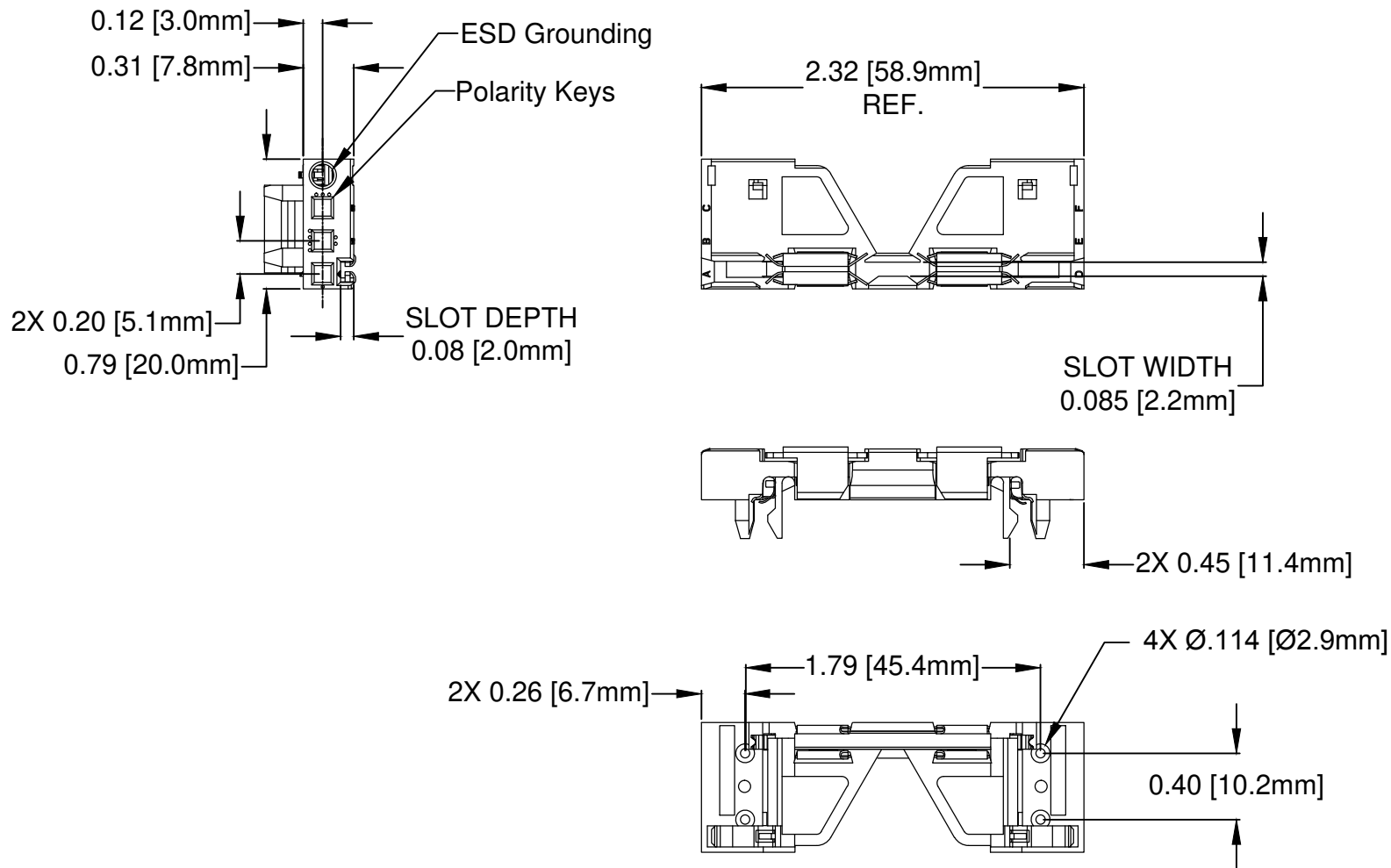
Email & Skype: info@chipsmall.com Web: www.chipsmall.com

Address: A1208, Overseas Decoration Building, #122 Zhenhua RD., Futian, Shenzhen, China




ITEM	Q'TY	PART NUMBER	PART DESCRIPTION
1	1	CPCI-80	80mm Card Guide, Grey
2	X	CPCI-ESD1	CPCI ESD Clips, PCB Grounding, SEE SHEET 2 TABLE 1
3	X	CPCI-ESD2	CPCI ESD Clips, Extractor Grounding, SEE SHEET 2 TABLE 1

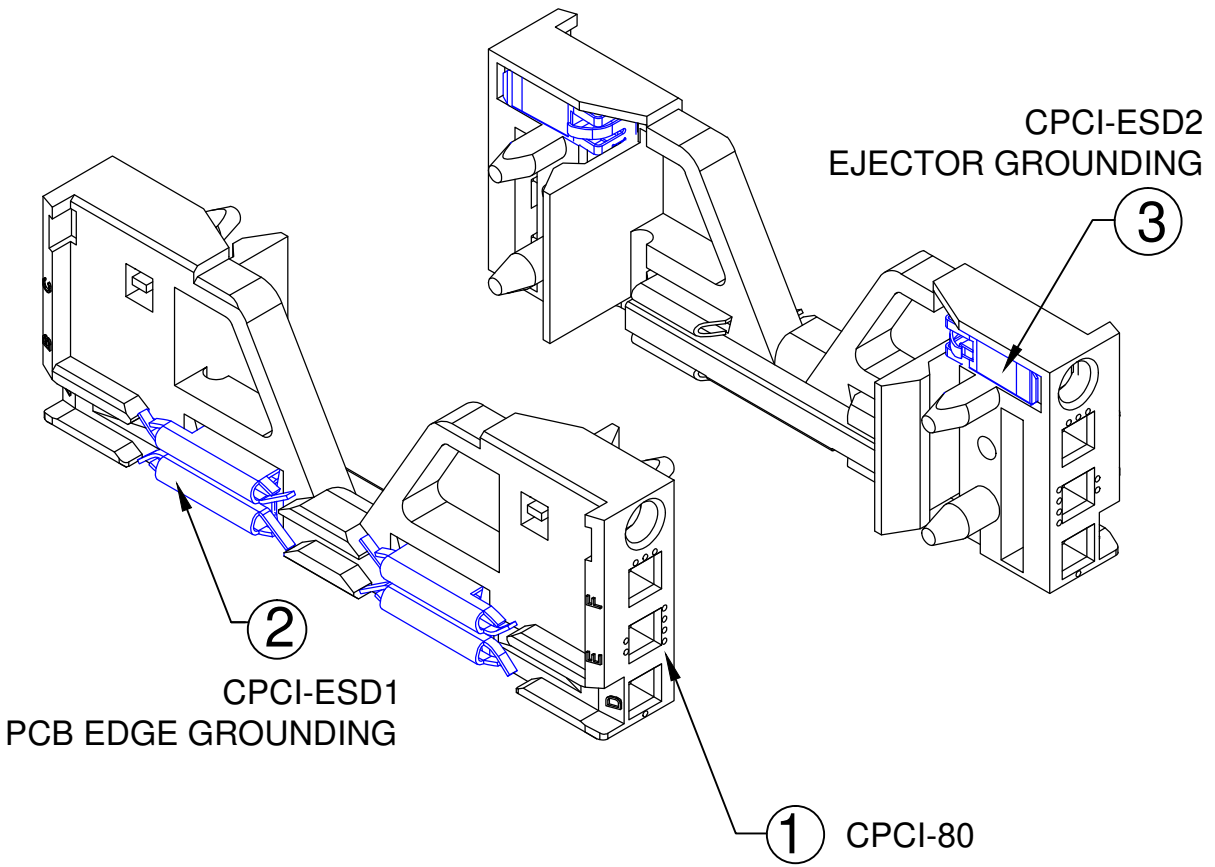
REV.	DESCRIPTION	DATE	APPROVED
B	Engineering Release.	11/20/14	J. C.



- 2. MATERIAL: POLYCARBONATE, 20% GLASS FILLED
- 1. GENERAL SPECIFICATIONS: BIVAR MOLDED COMPONENT SPECIFICATION BV00-E101.

STANDARD TOLERANCE (UNLESS OTHERWISE SPECIFIED)		 4 THOMAS, IRVINE, CA 92618 TEL: (949) 951-8808 FAX: (949) 951-3974	
DECIMALS	ANGULAR		
.X ± .1	X° ± 1°	TITLE: 80mm CPCI CARD GUIDE WITH ESD CLIPS PART NO: CPCI-80-ESDXX REVISION: B	
.XX ± .01			
.XXX ± .005			
DESIGNED: Alex Wright	DATE: 08/21/14	CAGE CODE : 32559 SHEET # 1 OF 2	
CHECKED: Brian Oliver	DATE: 08/21/14	CAD GENERATED DOCUMENT, DO NOT MEASURE DRAWING.	

REV.	DESCRIPTION	DATE	APPROVED
	SEE SHEET #1		



**TABLE 1
ASSEMBLY CONFIGURATIONS**

ASSEMBLY PART NUMBERS	ITEM	QTY		
CPCI-80-ESD1	2	2		
CPCI-80-ESD2	3	2		
CPCI-80-ESD12	2	3	2	2

NOTE: ESD CLIPS COME PRE-ASSEMBLED

STANDARD TOLERANCE (UNLESS OTHERWISE SPECIFIED)		BIVAR [®] 4 THOMAS, IRVINE, CA 92618 TEL: (949) 951-8808 FAX: (949) 951-3974	
DECIMALS	ANGULAR		
.X ± .1	X° ± 1°	TITLE: 80mm CPCI CARD GUIDE WITH ESD CLIPS	
.XX ± .01			
.XXX ± .005			
DESIGNED: Alex Wright	DATE: 08/21/14	PART NO: CPCI-80-ESDXX	
CHECKED: Brian Oliver	DATE: 08/21/14	REVISION: B	
		CAGE CODE : 32559	SHEET # 2 OF 2
<small>CAD GENERATED DOCUMENT, DO NOT MEASURE DRAWING.</small>			