



Chipsmall Limited consists of a professional team with an average of over 10 year of expertise in the distribution of electronic components. Based in Hongkong, we have already established firm and mutual-benefit business relationships with customers from,Europe,America and south Asia,supplying obsolete and hard-to-find components to meet their specific needs.

With the principle of “Quality Parts,Customers Priority,Honest Operation,and Considerate Service”,our business mainly focus on the distribution of electronic components. Line cards we deal with include Microchip,ALPS,ROHM,Xilinx,Pulse,ON,Everlight and Freescale. Main products comprise IC,Modules,Potentiometer,IC Socket,Relay,Connector.Our parts cover such applications as commercial,industrial, and automotives areas.

We are looking forward to setting up business relationship with you and hope to provide you with the best service and solution. Let us make a better world for our industry!



Contact us

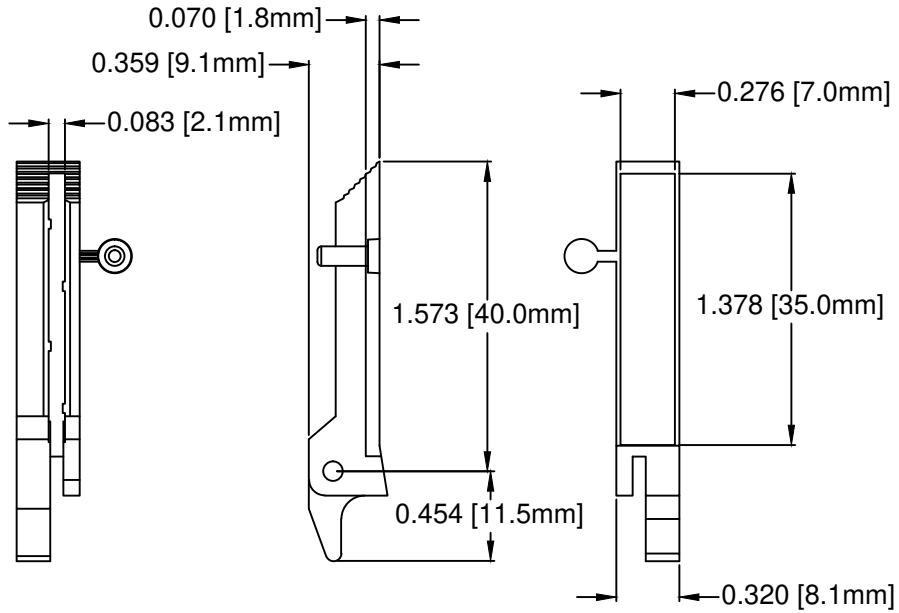
Tel: +86-755-8981 8866 Fax: +86-755-8427 6832

Email & Skype: info@chipsmall.com Web: www.chipsmall.com

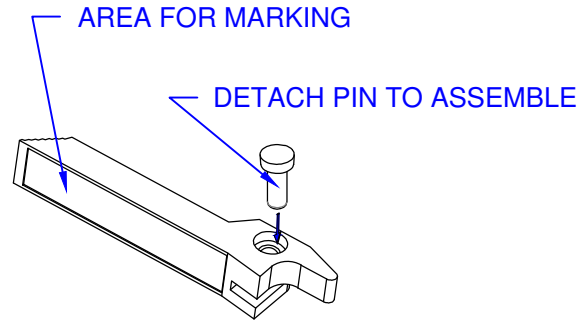
Address: A1208, Overseas Decoration Building, #122 Zhenhua RD., Futian, Shenzhen, China



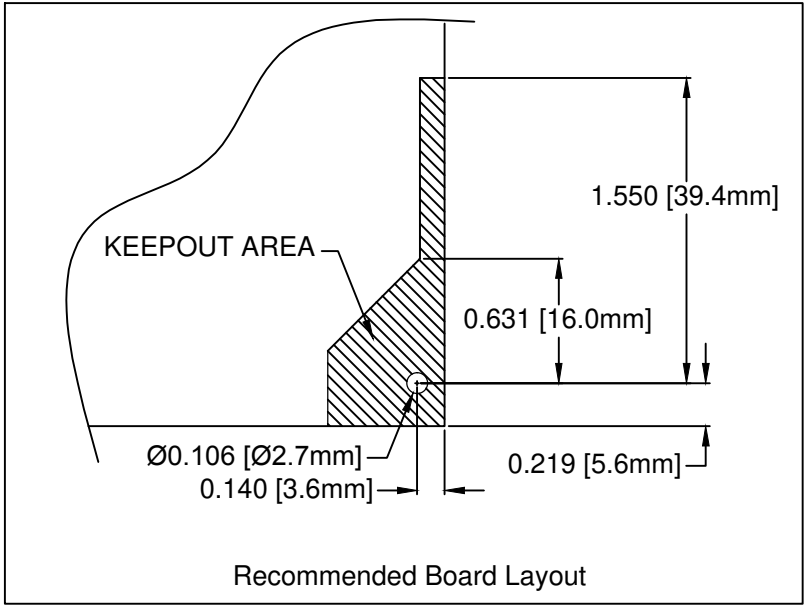
REV.	DESCRIPTION	DATE	APPROVED
A	Engineering Release.	07/25/14	J. C.





Card Ejector with Attached Pin



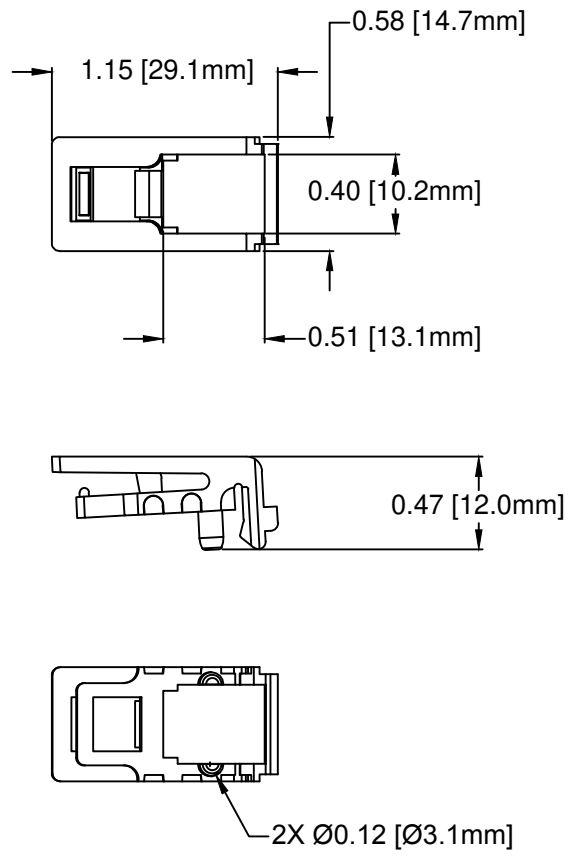
3D VIEW



Recommended Board Layout

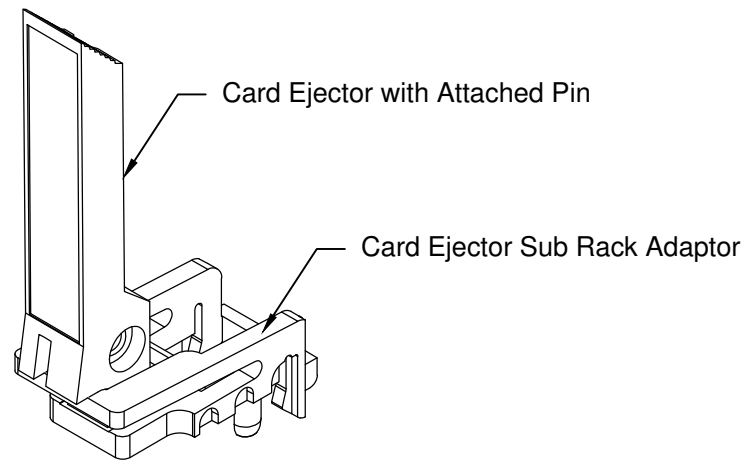
STANDARD TOLERANCE (UNLESS OTHERWISE SPECIFIED)		 4 THOMAS, IRVINE, CA 92618 TEL: (949) 951-8808 FAX: (949) 951-3974	
DECIMALS	ANGULAR		
X ± .1	X° ± 1°		
.XX ± .02		 TITLE: CARD EJECTOR WITH ATTACHED PIN, BOTTOM	
.XXX ± .010			DESIGNED: Brian Oliver DATE: 07/24/14
CHECKED: A. Wright DATE: 07/24/14		PART NO: CPCI-CP-B REVISION: A	
CAGE CODE : 32559		SHEET # 1 OF 2	
CAD GENERATED DOCUMENT, DO NOT MEASURE DRAWING.			

REV.	DESCRIPTION	DATE	APPROVED
A	Engineering Release.	07/25/14	J. C.


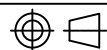


Card Ejector Sub Rack Adaptor

FOR USE WITH VME CARD GUIDES:
 CPCI-160
 CPCI-220
 CPCI-VXXX



Card Ejector Sub Rack Adaptor and Card Ejector with Attached Pin Packaged Together

STANDARD TOLERANCE (UNLESS OTHERWISE SPECIFIED)		 4 THOMAS, IRVINE, CA. 92618 TEL: (949) 951-8808 FAX: (949) 951-3974			
DECIMALS	ANGULAR				
X ± .1	X° ± 1°		TITLE: CARD EJECTOR WITH ATTACHED PIN, BOTTOM		
.XX ± .02			DESIGNED: Brian Oliver	DATE: 07/24/14	PART NO: CPCI-CP-B
.XXX ± .010		CHECKED: A. Wright	DATE: 07/24/14	CAGE CODE : 32559	SHEET # 2 OF 2
CAD GENERATED DOCUMENT, DO NOT MEASURE DRAWING.					