



Chipsmall Limited consists of a professional team with an average of over 10 year of expertise in the distribution of electronic components. Based in Hongkong, we have already established firm and mutual-benefit business relationships with customers from,Europe,America and south Asia,supplying obsolete and hard-to-find components to meet their specific needs.

With the principle of “Quality Parts,Customers Priority,Honest Operation,and Considerate Service”,our business mainly focus on the distribution of electronic components. Line cards we deal with include Microchip,ALPS,ROHM,Xilinx,Pulse,ON,Everlight and Freescale. Main products comprise IC,Modules,Potentiometer,IC Socket,Relay,Connector.Our parts cover such applications as commercial,industrial, and automotives areas.

We are looking forward to setting up business relationship with you and hope to provide you with the best service and solution. Let us make a better world for our industry!



## Contact us

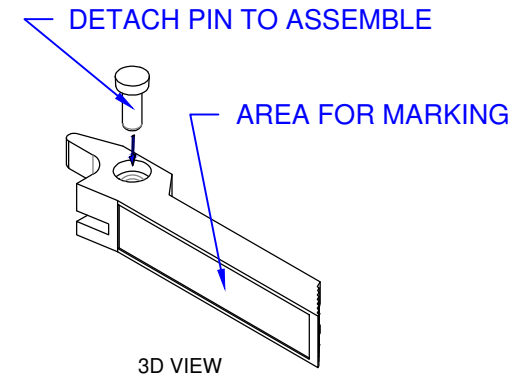
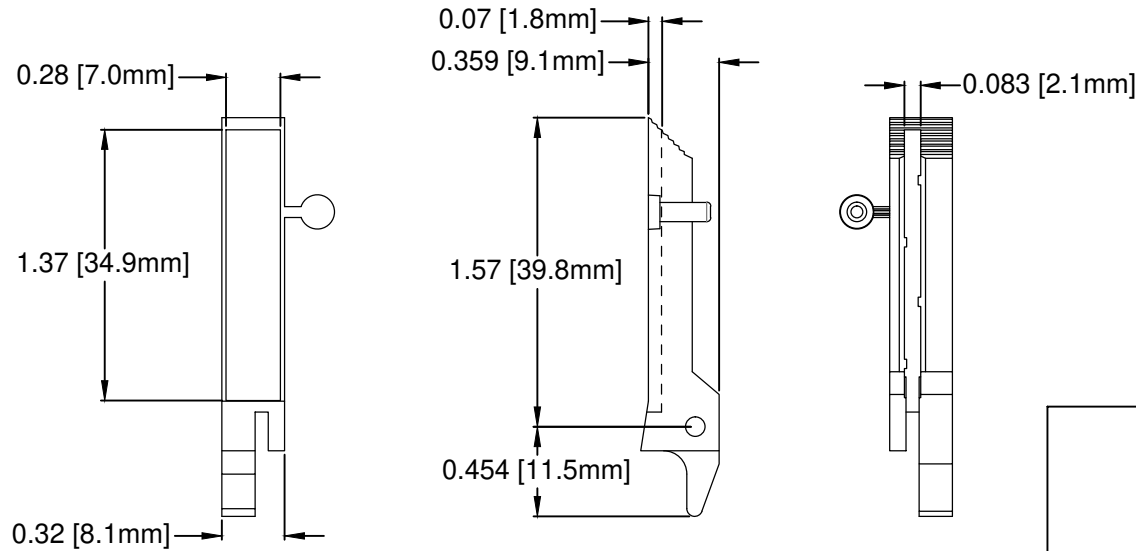
Tel: +86-755-8981 8866 Fax: +86-755-8427 6832

Email & Skype: [info@chipsmall.com](mailto:info@chipsmall.com) Web: [www.chipsmall.com](http://www.chipsmall.com)

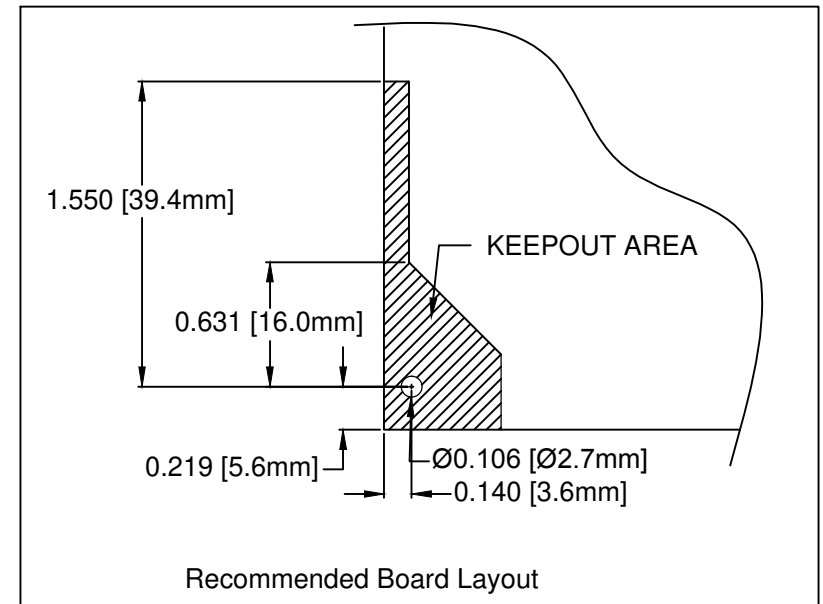
Address: A1208, Overseas Decoration Building, #122 Zhenhua RD., Futian, Shenzhen, China




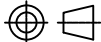
REV.	DESCRIPTION	DATE	APPROVED
A	Engineering Release.	07/25/14	J. C.



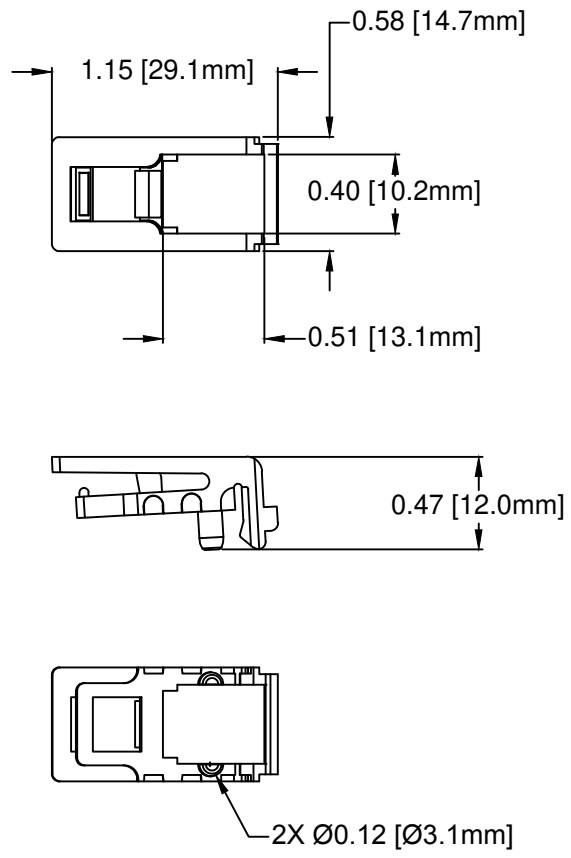
Card Ejector with Attached Pin



Recommended Board Layout

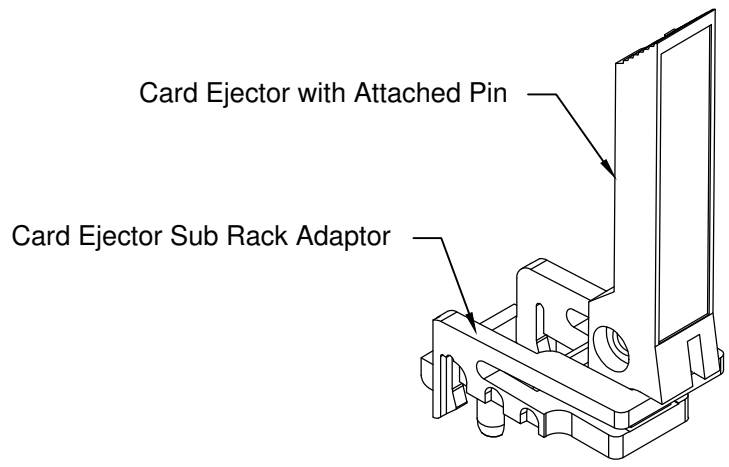
STANDARD TOLERANCE ( UNLESS OTHERWISE SPECIFIED )		 4 THOMAS, IRVINE, CA 92618 TEL: (949) 951-8808 FAX: (949) 951-3974		
DECIMALS	ANGULAR			
.X ± .1	X° ± 1°	<b>TITLE:</b> CARD EJECTOR WITH ATTACHED PIN, TOP		
.XX ± .02				
.XXX ± .010			<b>PART NO:</b> CPCP-CP-T	<b>REVISION:</b> A
DESIGNED: <b>Brian Oliver</b>	DATE: <b>07/24/14</b>	<b>CAGE CODE : 32559</b>		<b>SHEET # 1 OF 2</b>
CHECKED: <b>A. Wright</b>	DATE: <b>07/24/14</b>	CAD GENERATED DOCUMENT, DO NOT MEASURE DRAWING.		

REV.	DESCRIPTION	DATE	APPROVED
A	Engineering Release.	07/25/14	J. C.


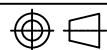


Card Ejector Sub Rack Adaptor

FOR USE WITH VME CARD GUIDES:  
 CPCI-160  
 CPCI-220  
 CPCI-VXXX



Card Ejector Sub Rack Adaptor and Card Ejector with Attached Pin Packaged Together

STANDARD TOLERANCE ( UNLESS OTHERWISE SPECIFIED )		 4 THOMAS, IRVINE, CA 92618 TEL: (949) 951-8808 FAX: (949) 951-3974			
DECIMALS	ANGULAR				
.X ± .1	X° ± 1°		TITLE: CARD EJECTOR WITH ATTACHED PIN, TOP		
.XX ± .02			DESIGNED: <b>Brian Oliver</b>	DATE: <b>07/24/14</b>	PART NO: <b>CPCI-CP-T</b>
.XXX ± .010		CHECKED: <b>A. Wright</b>	DATE: <b>07/24/14</b>	CAGE CODE : <b>32559</b>	SHEET # <b>2 OF 2</b>
CAD GENERATED DOCUMENT, DO NOT MEASURE DRAWING.					