



Chipsmall Limited consists of a professional team with an average of over 10 year of expertise in the distribution of electronic components. Based in Hongkong, we have already established firm and mutual-benefit business relationships with customers from,Europe,America and south Asia,supplying obsolete and hard-to-find components to meet their specific needs.

With the principle of “Quality Parts,Customers Priority,Honest Operation,and Considerate Service”,our business mainly focus on the distribution of electronic components. Line cards we deal with include Microchip,ALPS,ROHM,Xilinx,Pulse,ON,Everlight and Freescale. Main products comprise IC,Modules,Potentiometer,IC Socket,Relay,Connector.Our parts cover such applications as commercial,industrial, and automotives areas.

We are looking forward to setting up business relationship with you and hope to provide you with the best service and solution. Let us make a better world for our industry!



## Contact us

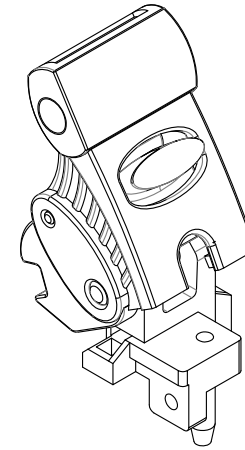
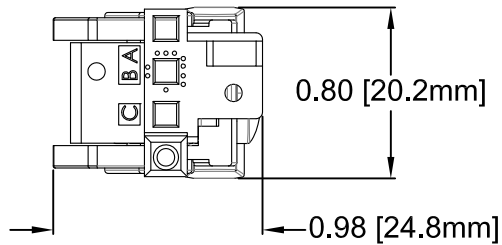
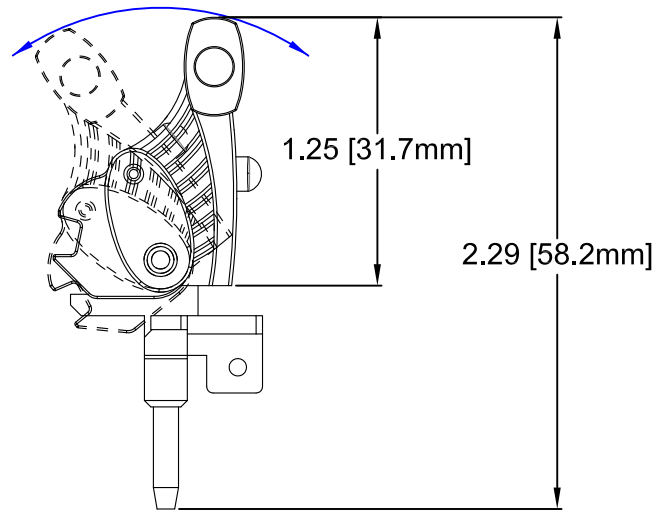
Tel: +86-755-8981 8866 Fax: +86-755-8427 6832

Email & Skype: info@chipsmall.com Web: www.chipsmall.com

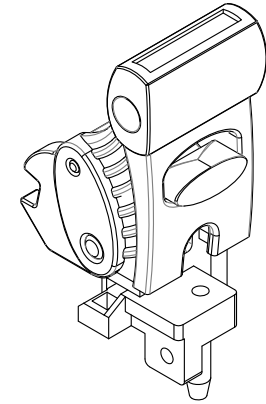
Address: A1208, Overseas Decoration Building, #122 Zhenhua RD., Futian, Shenzhen, China



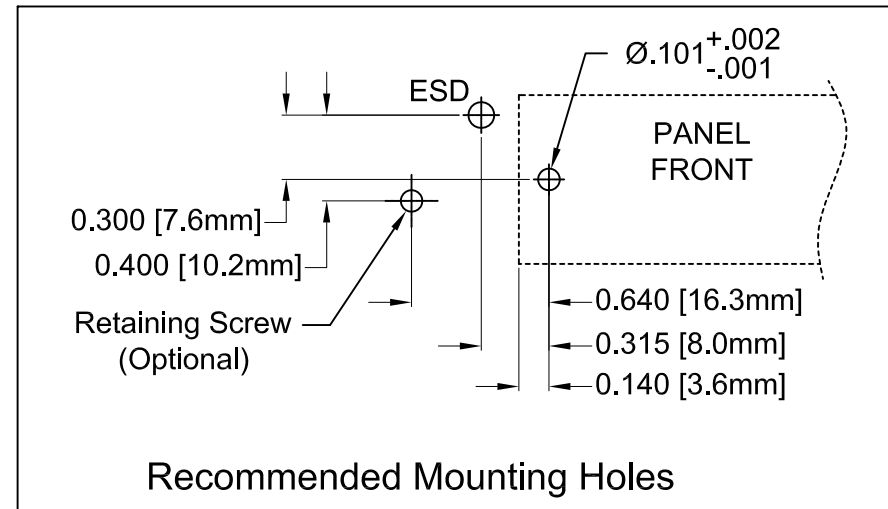
REV.	DESCRIPTION	DATE	APPROVED
D	Engineering Update w/out Changes.	08/21/14	J. C.
E	Removed Notes 2.	08/05/15	J. C.



3D VIEW OPEN


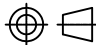


3D VIEW LOCKED



Recommended Mounting Holes

NOTES:  
1. Compliant with PICMG CPCI standard

STANDARD TOLERANCE (UNLESS OTHERWISE SPECIFIED)		 <b>BIVAR</b> <sup>®</sup> 4 THOMAS, IRVINE, CA. 92618 TEL: (949) 951-8808 FAX: (949) 951-3974	
DECIMALS	ANGULAR		
.X ±.1	X° ± 1°		
.XX ±.01			TITLE: CPCI EJECTOR HANDLE TOP, STYLE E3
.XXX ±.005			DESIGNED: <b>Brian Oliver</b> DATE: <b>08/21/14</b> PART NO: <b>CPCI-E3-TNS</b> REVISION: <b>E</b>
CHECKED: <b>A. Wright</b> DATE: <b>08/21/14</b>		CAGE CODE : <b>32559</b>	SHEET # <b>1</b> OF <b>1</b>
CAD GENERATED DOCUMENT, DO NOT MEASURE DRAWING.			