



Chipsmall Limited consists of a professional team with an average of over 10 year of expertise in the distribution of electronic components. Based in Hongkong, we have already established firm and mutual-benefit business relationships with customers from,Europe,America and south Asia,supplying obsolete and hard-to-find components to meet their specific needs.

With the principle of “Quality Parts,Customers Priority,Honest Operation,and Considerate Service”,our business mainly focus on the distribution of electronic components. Line cards we deal with include Microchip,ALPS,ROHM,Xilinx,Pulse,ON,Everlight and Freescale. Main products comprise IC,Modules,Potentiometer,IC Socket,Relay,Connector.Our parts cover such applications as commercial,industrial, and automotives areas.

We are looking forward to setting up business relationship with you and hope to provide you with the best service and solution. Let us make a better world for our industry!



## Contact us

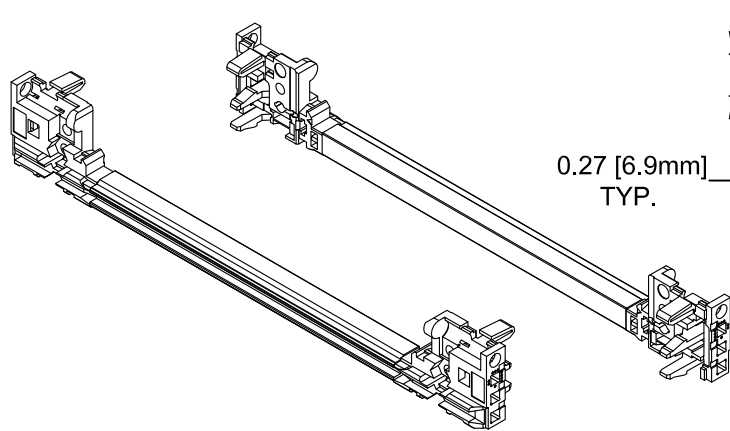
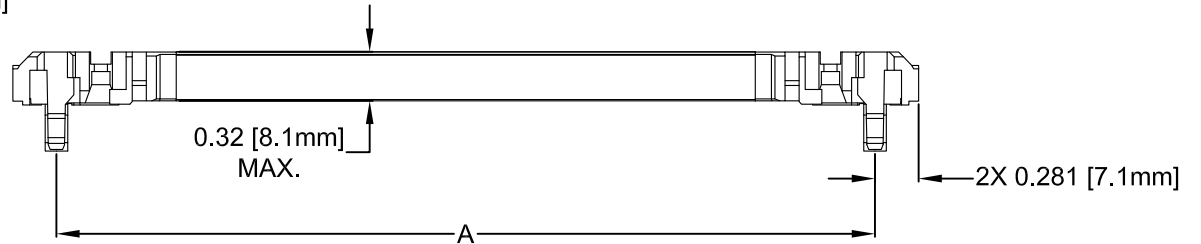
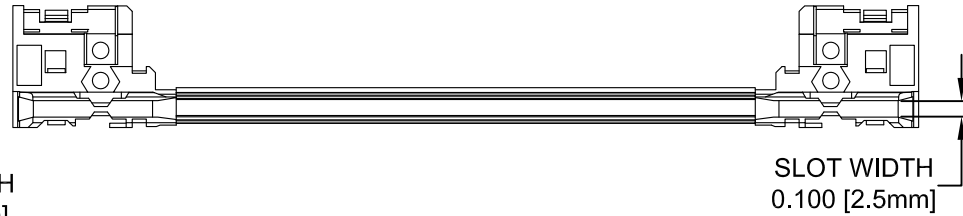
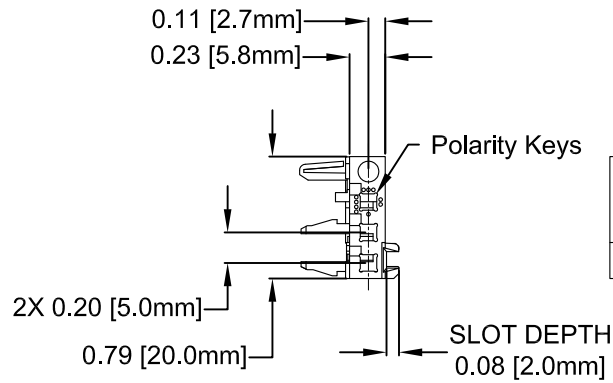
Tel: +86-755-8981 8866 Fax: +86-755-8427 6832

Email & Skype: info@chipsmall.com Web: www.chipsmall.com


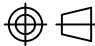
Address: A1208, Overseas Decoration Building, #122 Zhenhua RD., Futian, Shenzhen, China



REV.	DESCRIPTION	DATE	APPROVED
B	Engineering Release.	11/21/14	J. C.



PART NUMBER	A in [mm]
CPCI-N160	5.29 [134.3]
CPCI-N220	7.65 [194.3]
CPCI-N280	10.01 [254.3]
CPCI-N340	12.38 [314.3]

STANDARD TOLERANCE (UNLESS OTHERWISE SPECIFIED)		 4 THOMAS, IRVINE, CA. 92618 TEL: (949) 951-8808 FAX: (949) 951-3974		
DECIMALS	ANGULAR			
.X ±.1	X° ± 1°		<b>TITLE:</b> COMPACT-PCI METAL NARROW CARD GUIDE	
.XX ±.01				<b>PART NO:</b> CPCI-NXXX
.XXX ±.005				<b>REVISION:</b> B
DESIGNED: <b>Alex Wright</b>	DATE: <b>07/07/14</b>	CAGE CODE : 32559	SHEET # 1 OF 1	
CHECKED: <b>Brian Oliver</b>	DATE: <b>07/07/14</b>	CAD GENERATED DOCUMENT, DO NOT MEASURE DRAWING.		

2. MATERIAL: POLYCARBONATE, 20% GLASS FILLED & ALUMINUM BODY
1. GENERAL SPECIFICATIONS: BIVAR MOLDED COMPONENT SPECIFICATION BV00-E101.