



Chipsmall Limited consists of a professional team with an average of over 10 year of expertise in the distribution of electronic components. Based in Hongkong, we have already established firm and mutual-benefit business relationships with customers from,Europe,America and south Asia,supplying obsolete and hard-to-find components to meet their specific needs.

With the principle of "Quality Parts,Customers Priority,Honest Operation,and Considerate Service",our business mainly focus on the distribution of electronic components. Line cards we deal with include Microchip,ALPS,ROHM,Xilinx,Pulse,ON,Everlight and Freescale. Main products comprise IC,Modules,Potentiometer,IC Socket,Relay,Connector.Our parts cover such applications as commercial,industrial, and automotives areas.

We are looking forward to setting up business relationship with you and hope to provide you with the best service and solution. Let us make a better world for our industry!



## Contact us

Tel: +86-755-8981 8866 Fax: +86-755-8427 6832

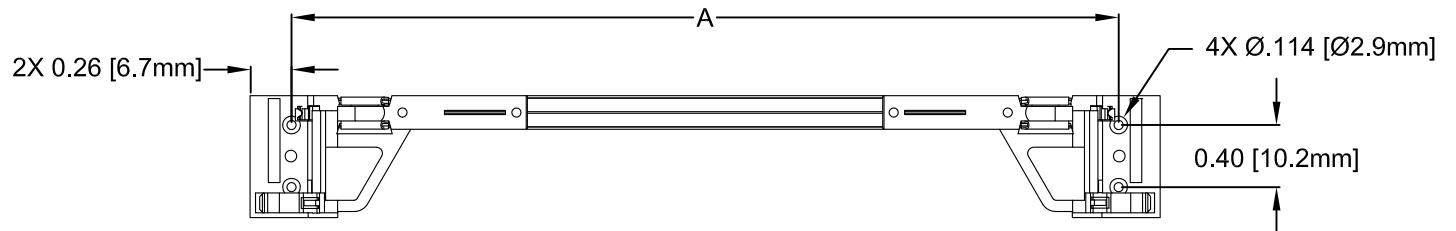
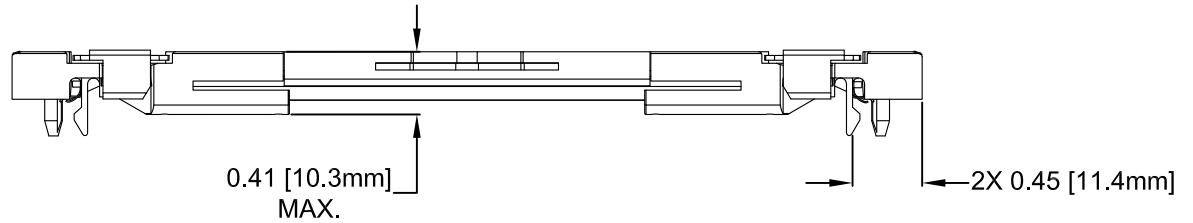
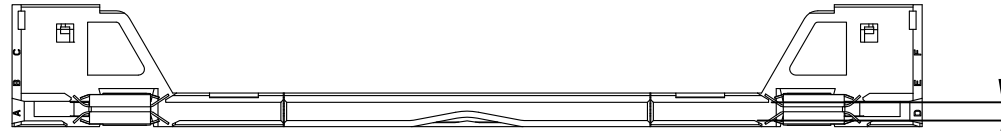
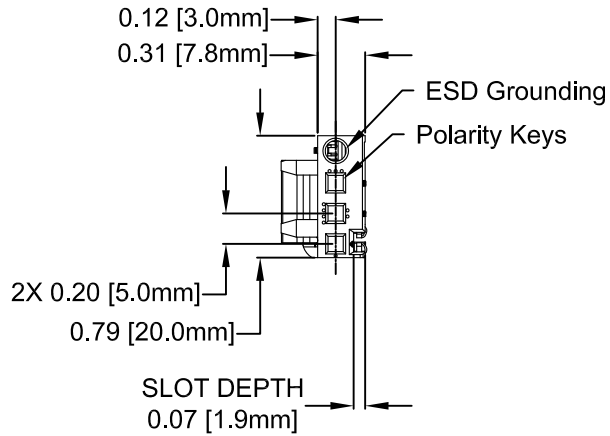
Email & Skype: info@chipsmall.com Web: www.chipsmall.com

Address: A1208, Overseas Decoration Building, #122 Zhenhua RD., Futian, Shenzhen, China



ITEM	Q'TY	PART NUMBER	PART DESCRIPTION
1	1	CPCI-RXXX	Card Guide, Pre-Assembled with Aluminum Body
2	X	CPCI-ESD1	CPCI ESD Clips, PCB Grounding, SEE SHEET 2 TABLE 1
3	X	CPCI-ESD2	CPCI ESD Clips, Extractor Grounding, SEE SHEET 2 TABLE 1

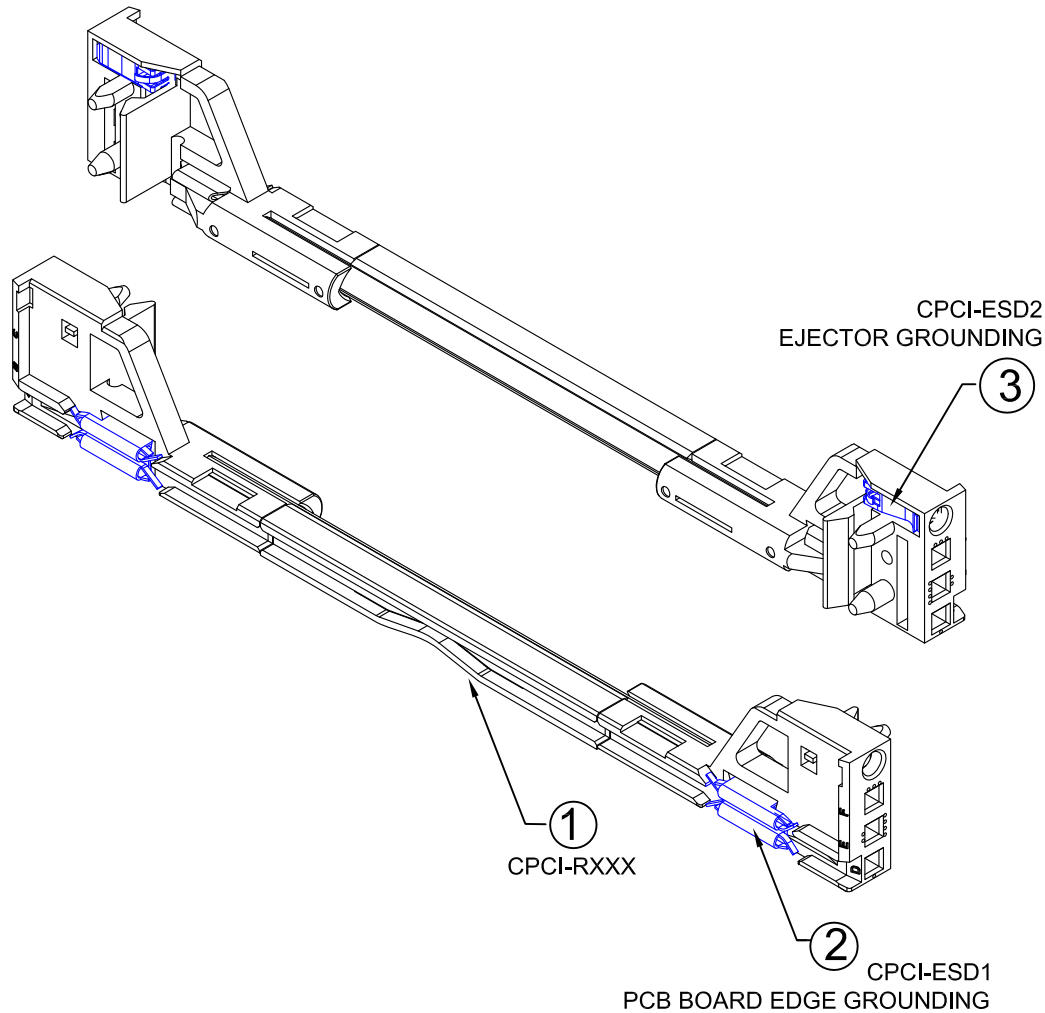
REV.	DESCRIPTION	DATE	APPROVED
B	Engineering Release.	11/20/14	J. C.



2. MATERIAL: POLYCARBONATE, GLASS FILLED 20% & ALUMINUM BODY  
1. GENERAL SPECIFICATIONS: BIVAR MOLDED COMPONENT SPECIFICATION BV00-E101.


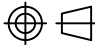
STANDARD TOLERANCE (UNLESS OTHERWISE SPECIFIED)		 <b>BIVAR</b> <sup>®</sup> 4 THOMAS, IRVINE, CA. 92618 TEL: (949) 951-8808 FAX: (949) 951-3974
DECIMALS	ANGULAR	
.X ±.1 .XX ±.01 .XXX ±.005	X° ± 1°	
DESIGNED: <b>Alex Wright</b>	DATE: <b>07/07/14</b>	TITLE: CPCI PLASTIC RETENTION GUIDE WITH ESD CLIPS
CHECKED: <b>Brian Oliver</b>	DATE: <b>07/07/14</b>	PART NO: CPCI-RXXX-ESDXX CAGE CODE : 32559 SHEET # 1 OF 2
CAD GENERATED DOCUMENT, DO NOT MEASURE DRAWING.		REVISION: <b>B</b>

REV.	DESCRIPTION	DATE	APPROVED
	SEE SHEET #1		



ASSEMBLY PART NUMBERS	A in [mm]	ITEM	QTY
CPCI-R160-ESD1	5.34 [135.7]	2	2
CPCI-R160-ESD2	5.34 [135.7]	3	2
CPCI-R160-ESD12	5.34 [135.7]	2   3	2   2
CPCI-R220-ESD1	7.69 [195.3]	2	2
CPCI-R220-ESD2	7.69 [195.3]	3	2
CPCI-R220-ESD12	7.69 [195.3]	2   3	2   2
CPCI-R280-ESD1	10.07 [255.9]	2	2
CPCI-R280-ESD2	10.07 [255.9]	3	2
CPCI-R280-ESD12	10.07 [255.9]	2   3	2   2
CPCI-R340-ESD1	12.44 [316.0]	2	2
CPCI-R340-ESD2	12.44 [316.0]	3	2
CPCI-R340-ESD12	12.44 [316.0]	2   3	2   2

NOTE: ESD CLIPS COME PRE-ASSEMBLED

STANDARD TOLERANCE ( UNLESS OTHERWISE SPECIFIED )		 <b>BIVAR</b> <sup>®</sup> 4 THOMAS, IRVINE, CA. 92618 TEL: (949) 951-8808 FAX: (949) 951-3974	
DECIMALS	ANGULAR		
.X ±.1	X° ± 1°	 <b>TITLE:</b> CPCI PLASTIC RETENTION GUIDES WITH ESD CLIPS	
.XX ±.01			
.XXX ±.005			
DESIGNED: <b>Alex Wright</b>	DATE: <b>07/07/14</b>	<b>PART NO:</b> <b>CPCI-RXXX-ESDXX</b>	REVISION: <b>B</b>
CHECKED: <b>Brian Oliver</b>	DATE: <b>07/07/14</b>	<b>CAGE CODE : 32559</b>	<b>SHEET # 2 OF 2</b>
CAD GENERATED DOCUMENT, DO NOT MEASURE DRAWING.			