



Chipsmall Limited consists of a professional team with an average of over 10 year of expertise in the distribution of electronic components. Based in Hongkong, we have already established firm and mutual-benefit business relationships with customers from,Europe,America and south Asia,supplying obsolete and hard-to-find components to meet their specific needs.

With the principle of “Quality Parts,Customers Priority,Honest Operation,and Considerate Service”,our business mainly focus on the distribution of electronic components. Line cards we deal with include Microchip,ALPS,ROHM,Xilinx,Pulse,ON,Everlight and Freescale. Main products comprise IC,Modules,Potentiometer,IC Socket,Relay,Connector.Our parts cover such applications as commercial,industrial, and automotives areas.

We are looking forward to setting up business relationship with you and hope to provide you with the best service and solution. Let us make a better world for our industry!



## Contact us

Tel: +86-755-8981 8866 Fax: +86-755-8427 6832

Email & Skype: info@chipsmall.com Web: www.chipsmall.com

Address: A1208, Overseas Decoration Building, #122 Zhenhua RD., Futian, Shenzhen, China



**PART NUMBER:** CPE-750PA

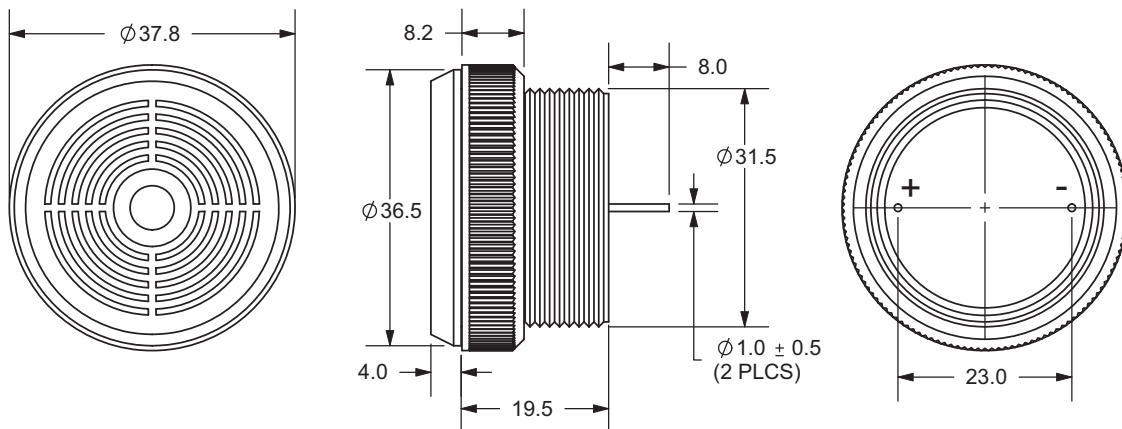
**DESCRIPTION:** panel mount piezo indicators

**SPECIFICATONS**

|                         |                           |                  |
|-------------------------|---------------------------|------------------|
| operating frequency     | 3.6 ± 0.5 KHz             |                  |
| operating voltage range | 0.7 ~ 15 V DC             |                  |
| current consumption     | 20 mA max. (12 mA typ)    | at 12 V DC       |
| sound pressure level    | 98 db min. (106 mA typ)   | at 30 cm/12 V DC |
| rated voltage           | 12 V DC                   |                  |
| tone                    | continuous                | at 12 V DC       |
| operating temperature   | -30 ~ +80° C              |                  |
| storage temperature     | -40 ~ +80° C              |                  |
| dimensions              | Ø36.5 x H23.5 mm          |                  |
| weight                  | 18.5 g max.               |                  |
| material                | ABS UL-94 1/16" HB (gray) |                  |
| terminal                | pin type (Sn plating)     |                  |
| RoHS                    | yes                       |                  |

**APPEARANCE DRAWING**

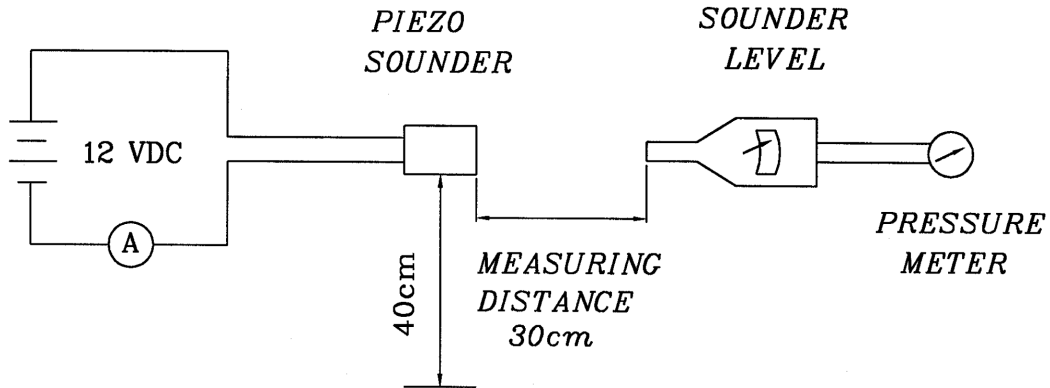
tolerance: ±0.5  
units: mm



**PART NUMBER:** CPE-750PA

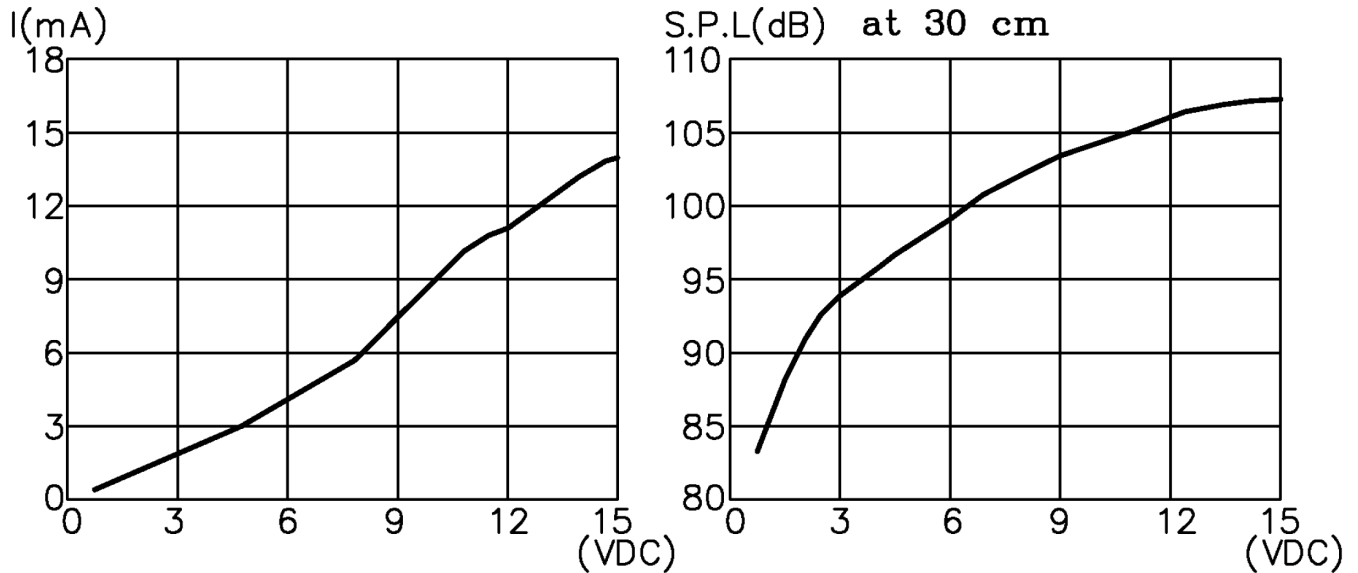
**DESCRIPTION:** panel mount piezo indicators

**MEASUREMENT METHOD**



S.P.L. Measuring Circuit  
Mic: RION S.P.L. meter UC30 or equivalent

**CURRENT CONSUMPTION/SOUND PRESSURE LEVEL**





**PART NUMBER:** CPE-750PA

**DESCRIPTION:** panel mount piezo indicators

**MECHANICAL CHARACTERISTICS**

| item                         | test condition  | evaluation standard  |
|------------------------------|---|--|
| solderability                | Lead terminals are immersed in rosin for 5 seconds and then immersed in solder bath of 270 ±5°C for 3 ±1 seconds.   | 90% min. of the lead terminals will be wet with solder (except the edge of the terminal).  |
| soldering heat resistance    | Lead terminals are immersed up to 1.5mm from buzzer's body in solder bath of 300 ±5°C for 3 ±0.5 seconds or 260 ±5°C for 10 ±1 seconds.   | No interference in operation.  |
| terminal mechanical strength | For 10 seconds, the force of 9.8N (1.0kg) is applied to each terminal in axial direction.   | No damage or cutting off.  |
| vibration                    | The buzzer shall be measured after applying a vibration amplitude of 1.5 mm with 10 to 55 Hz band of vibration frequency to each of the 3 perpendicular directions for 2 hours. | The value of oscillation frequency/current consumption should be ±10% of the initial measurements. The SPL should be within ±10dB compared with the initial measurement. |
| drop test                    | The part will be dropped from a height of 75 cm onto a 40 mm thick wooden board 3 times in 3 axes (X, Y, Z) for a total of 9 drops.   |  |

**ENVIRONMENT TEST**

| item             | test condition  | evaluation standard   |
|------------------|---|---|
| high temp. test  | After being placed in a chamber at +80°C for 240 hours.                             | The buzzer will be measured after being placed at +25°C for 4 hours. The value of the oscillation frequency/current consumption should be ±10% compared to the initial measurements. The SPL should be within ±10dB compared to the initial measurements. |
| low temp. test   | After being placed in a chamber at -40°C for 240 hours.                             |   |
| humidity test    | After being placed in a chamber at +40°C and 90±5% relative humidity for 240 hours. |   |
| temp. cycle test | The part shall be subjected to 5 cycles. One cycle will consist of:                 |   |

The diagram illustrates a temperature cycle over a total duration of 3 hours. The cycle consists of the following segments: a 0.5-hour dwell at -40°C, a 0.5-hour ramp to +25°C, a 0.25-hour dwell at +25°C, a 0.5-hour ramp to +80°C, a 0.5-hour dwell at +80°C, a 0.5-hour ramp to +25°C, and a final 0.25-hour dwell at +25°C. The total time for one cycle is 3 hours.





PART NUMBER: CPE-750PA

DESCRIPTION: panel mount piezo indicators

## RELIABILITY TEST

| item                  | test condition  | evaluation standard   |
|-----------------------|---|---|
| operating (life test) | 1. Continuous life test:<br>The part will be subjected to 48 hours of continuous operation at +65°C with rated voltage applied.<br><br>2. Intermittent life test:<br>A duty cycle of 1 minute on, 1 minutes off, a minimum of 5,000 times at room temp (+25 ±2°C) with rated voltage applied. | The buzzer will be measured after being placed at +25°C for 4 hours. The value of the oscillation frequency/current consumption should be ±10% compared to the initial measurements. The SPL should be within ±10dB compared to the initial measurements. |

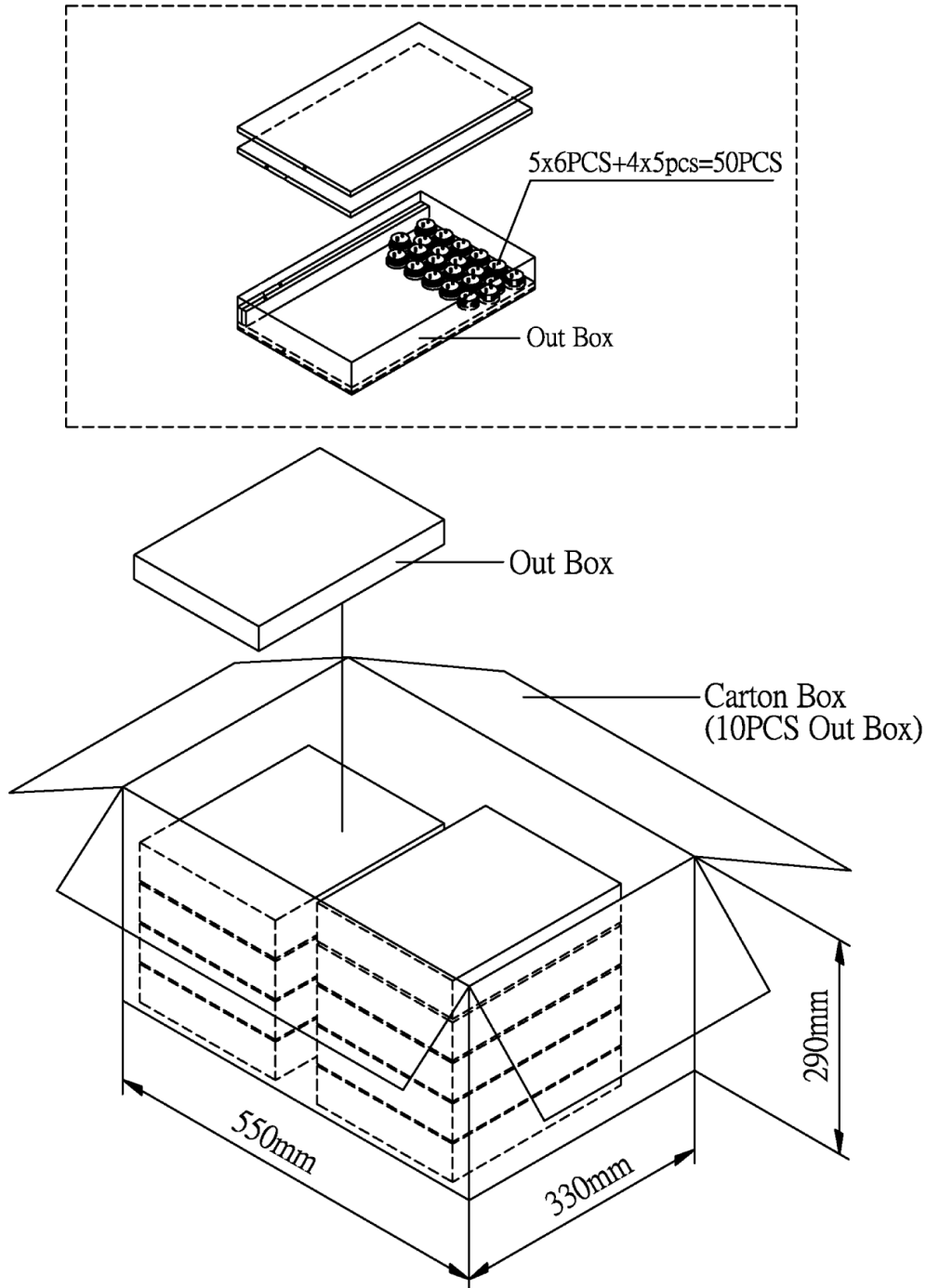
## TEST CONDITIONS

|                          |                            |                       |                            |
|--------------------------|----------------------------|-----------------------|----------------------------|
| standard test condition  | a) temperature: +5 ~ +35°C | b) humidity: 45 - 85% | c) pressure: 860-1060 mbar |
| judgement test condition | a) temperature: +25 ±2°C   | b) humidity: 60 - 70% | c) pressure: 860-1060 mbar |

**PART NUMBER:** CPE-750PA

**DESCRIPTION:** panel mount piezo indicators

**PACKAGING**



|            |                   |                 |
|------------|-------------------|-----------------|
| Out Box    | 310mmx248mmx49mm  | 1x50PCS=50PCS   |
| Carton Box | 550mmx330mmx290mm | 50PCSx10=500PCS |