



Chipsmall Limited consists of a professional team with an average of over 10 year of expertise in the distribution of electronic components. Based in Hongkong, we have already established firm and mutual-benefit business relationships with customers from,Europe,America and south Asia,supplying obsolete and hard-to-find components to meet their specific needs.

With the principle of "Quality Parts,Customers Priority,Honest Operation,and Considerate Service",our business mainly focus on the distribution of electronic components. Line cards we deal with include Microchip,ALPS,ROHM,Xilinx,Pulse,ON,Everlight and Freescale. Main products comprise IC,Modules,Potentiometer,IC Socket,Relay,Connector.Our parts cover such applications as commercial,industrial, and automotives areas.

We are looking forward to setting up business relationship with you and hope to provide you with the best service and solution. Let us make a better world for our industry!



Contact us

Tel: +86-755-8981 8866 Fax: +86-755-8427 6832

Email & Skype: info@chipsmall.com Web: www.chipsmall.com

Address: A1208, Overseas Decoration Building, #122 Zhenhua RD., Futian, Shenzhen, China



5

4

3

2

1

DRAWING NO.
25-7033-CUST

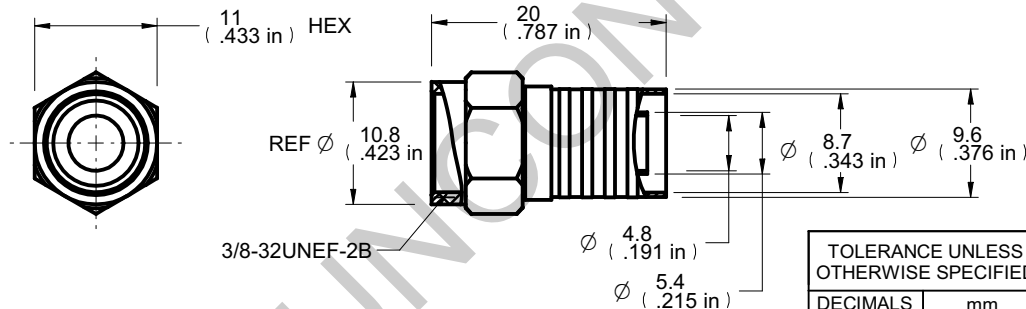
REVISIONS

| | | | | | |
|----|------------------|---|---|---|--------------------------|
| 01 | OFFICIAL RELEASE | | | | 2009.09.0 |
| | 08-21-09 | Y | U | T | Betty 09:17:19 ±0800C |

Description: F-56 Alx For RG-6 Tri-Shield
 Part No: 25-7033
 Application: For RG6 Tri-Shield&Quad Plenum Cable
 Crimp Tool: 24-7710 or 24-8866P
 Impedance: 75 Ohms
 Frequency Range: 0-750 MHz
 Material: Body Brass Nickel plated
 Nut Zinc Nickel plated
 RoHS Compliance: Yes
 Technical Detail: Refer to Emerson Document P/N 25-0000



| 受控 CONTROLLED DOCUMENT | | | | | |
|------------------------|--------------|-----------|----|------------------|-----------|
| 编号 P/N | 25-7033-CUST | 版本 Rev | 01 | 日期 Rel'd Date | SEP 14,09 |



DIM OUTLINE

CUSTOMER COPY

| | | | |
|--------------------------------------|--------|-------------|----------|
| TOLERANCE UNLESS OTHERWISE SPECIFIED | | DRAWN BY | DATE |
| DECIMALS | mm | BETTY.YU | 08-21-09 |
| X | ± 0.5 | CHECKED BY | DATE |
| X.X | ± 0.3 | BETTY.YU | 08-21-09 |
| X.XX | ± 0.1 | APPROVED BY | DATE |
| ANGLES | ± 0.5° | THOMAS | 08-21-09 |
| | | U/M mm | |



TITLE
F-56ALX FOR RG-6 TRI-SHIELD

THIS DRAWING WAS PRODUCED BY COMPUTER,
DO NOT SCALE DRAWING OR UPDATE MANUALLY.

| | | |
|--------|--------------|------|
| SHEET | DRAWING NO. | SIZE |
| 1 OF 1 | 25-7033-CUST | A |

5

4

3

2

1