



Chipsmall Limited consists of a professional team with an average of over 10 year of expertise in the distribution of electronic components. Based in Hongkong, we have already established firm and mutual-benefit business relationships with customers from,Europe,America and south Asia,supplying obsolete and hard-to-find components to meet their specific needs.

With the principle of "Quality Parts,Customers Priority,Honest Operation,and Considerate Service",our business mainly focus on the distribution of electronic components. Line cards we deal with include Microchip,ALPS,ROHM,Xilinx,Pulse,ON,Everlight and Freescale. Main products comprise IC,Modules,Potentiometer,IC Socket,Relay,Connector.Our parts cover such applications as commercial,industrial, and automotives areas.

We are looking forward to setting up business relationship with you and hope to provide you with the best service and solution. Let us make a better world for our industry!



## Contact us

Tel: +86-755-8981 8866 Fax: +86-755-8427 6832

Email & Skype: info@chipsmall.com Web: www.chipsmall.com

Address: A1208, Overseas Decoration Building, #122 Zhenhua RD., Futian, Shenzhen, China



5

4

3

2

1

## 受控 CONTROLLED DOCUMENT

编号 P/N	CPFIUG882-CUST	版本 Rev	01	日期 Rel'd Date	Apr29,09
-----------	----------------	-----------	----	------------------	----------

DRAWING NO.

CPFIUG882-CUST

## REVISIONS

01	OFFICIAL RELEASE				
	03-13-09	Z H	Y U	T H	Thomas Chow

D

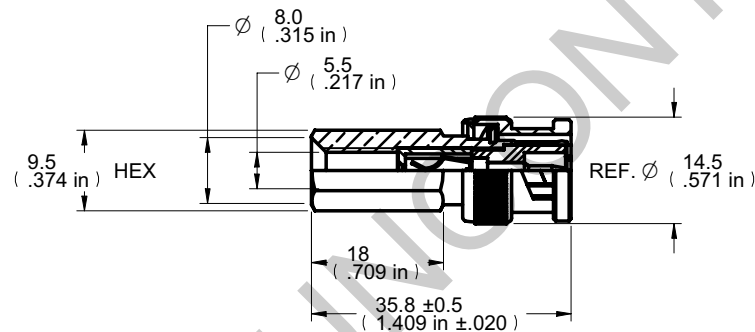
Description: BNC Twist-On For RG 59,62  
 Part No: CPFIUG885  
 Application: For RG-59,RG-62 Cable  
 Crimp Tool: N/A  
 Impedance: 50 Ohms  
 Frequency Range: 0-4 GHz  
 Material: Body Brass Nickel plated  
 Contact Phosphor bronze Gold plated  
 Insulator Teflon  
 Nut Zinc Nickel plated  
 RoHS Compliance: Yes  
 Technical Detail: Refer to Emerson Document P/N 27-0000



C

B

A



## DIM OUTLINE

CUSTOMER COPY

TOLERANCE UNLESS OTHERWISE SPECIFIED		DRAWN BY GARY.ZHANG	DATE 03-13-09
DECIMALS	mm	CHECKED BY BETTY.YU	DATE 03-13-09
X	± 0.5	APPROVED BY THOMAS	DATE 03-13-09
X.X	± 0.3		
X.XX	± 0.1		
ANGLES	± 0.5°	U/M	mm

TITLE  
BNC TWIST-ON FOR RG59,62SHEET  
1 OF 1DRAWING NO.  
CPFIUG882-CUSTSIZE  
A

5

4

3

2

1