



Chipsmall Limited consists of a professional team with an average of over 10 year of expertise in the distribution of electronic components. Based in Hongkong, we have already established firm and mutual-benefit business relationships with customers from,Europe,America and south Asia,supplying obsolete and hard-to-find components to meet their specific needs.

With the principle of “Quality Parts,Customers Priority,Honest Operation,and Considerate Service”,our business mainly focus on the distribution of electronic components. Line cards we deal with include Microchip,ALPS,ROHM,Xilinx,Pulse,ON,Everlight and Freescale. Main products comprise IC,Modules,Potentiometer,IC Socket,Relay,Connector.Our parts cover such applications as commercial,industrial, and automotives areas.

We are looking forward to setting up business relationship with you and hope to provide you with the best service and solution. Let us make a better world for our industry!



Contact us

Tel: +86-755-8981 8866 Fax: +86-755-8427 6832

Email & Skype: info@chipsmall.com Web: www.chipsmall.com

Address: A1208, Overseas Decoration Building, #122 Zhenhua RD., Futian, Shenzhen, China



NOTES:

- 1.0 ELECTRICAL SPECIFICATIONS:
- 1.1 FREQUENCY RANGE: 2 to 18 GHz
- 1.2 INSERTION LOSS: 0.6dB MAX.
- 1.3 COUPLING:
 - 2 to 4 GHz: 30 ±5.0dB
 - 4 to 18 GHz: 30 ±2.0dB
- 1.4 DIRECTIVITY: 10dB MIN.
- 1.5 VSWR: 1.50:1 MAX.
- 1.6 MAXIMUM INPUT POWER:
 - 100 WATTS AVG.
 - 3.2 KILOWATTS PEAK
- 1.7 OPERATING TEMP. RANGE:
 - 0 to +55°C

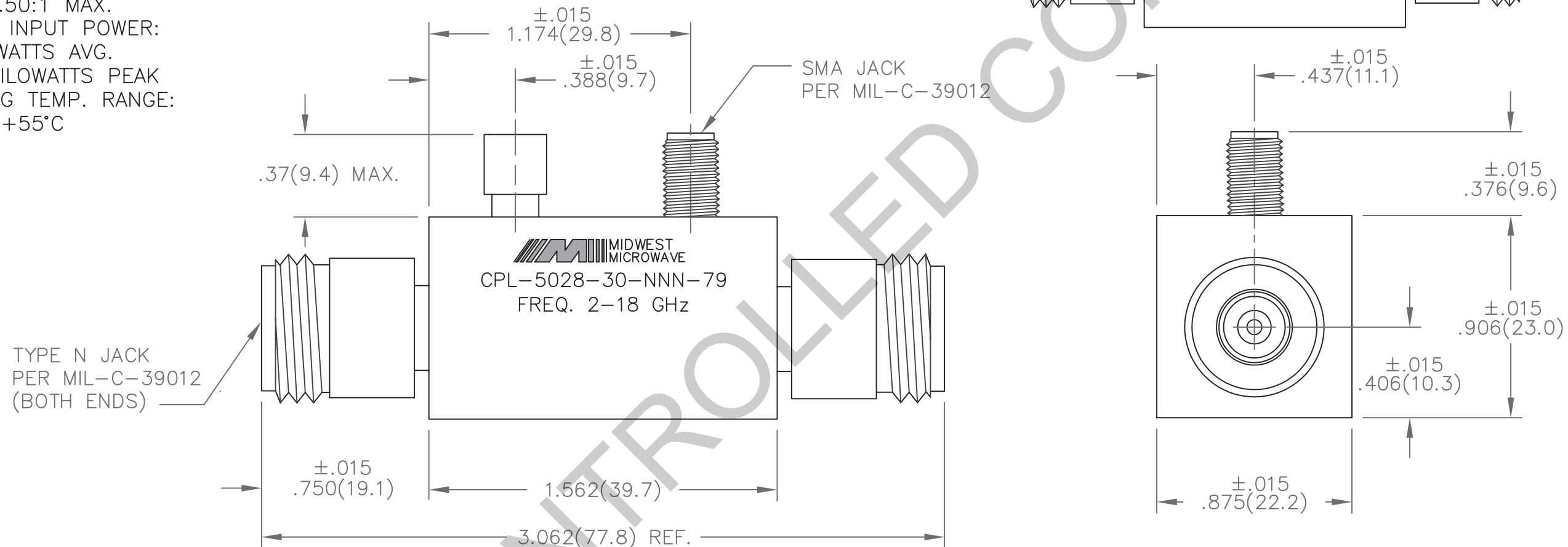
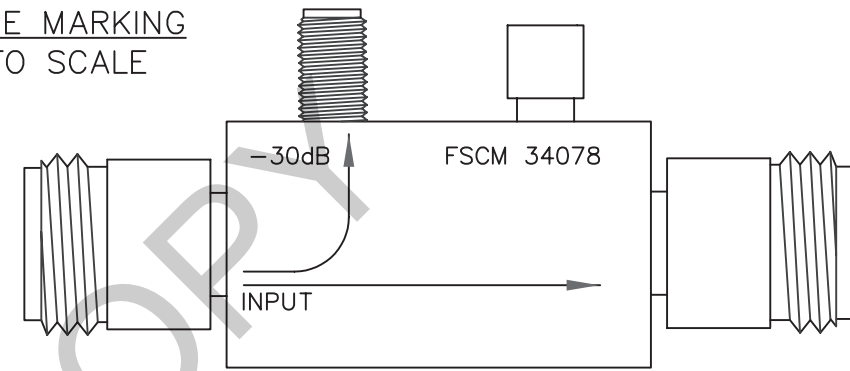
2.0 FINISHING:

- 2.1 GREY PER MIL-E-15090 TYPE II, CLASS 2
OVER MIL-C-5541 CLASS 3A
MEETS MIL-F-14072
MEETS MIL-E-5400

- 2.2 MARK UNIT AS SHOWN
(REF.: SLK-01794-82-18)

3.0 DIMENSIONS IN PARENTHESIS ARE IN MILLIMETERS.

BACKSIDE MARKING
NOT TO SCALE



TYPE N JACK
PER MIL-C-39012
(BOTH ENDS)

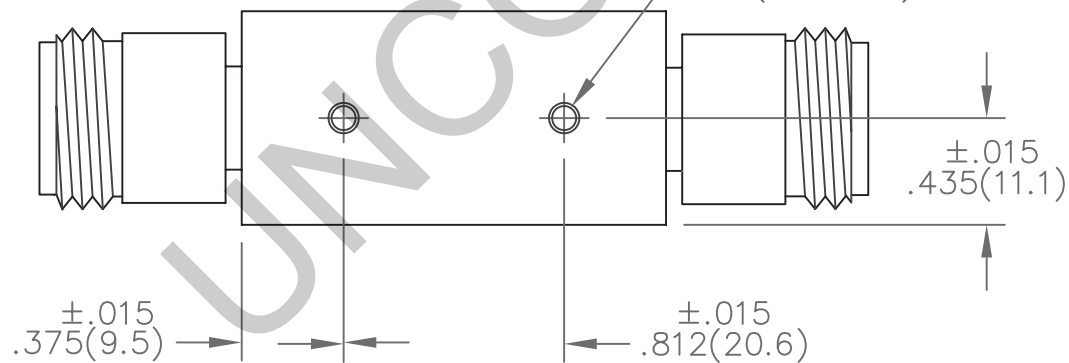
SMA JACK
PER MIL-C-39012

MIDWEST
MICROWAVE
CPL-5028-30-NNN-79
FREQ. 2-18 GHz

SEE HISTORY FILE FOR REVIONS REVISIONS

BOTTOM VIEW
NOT TO SCALE

4-40UNC-2B THD.
x .125(3.2) ±.015 DP.
(2 PLCS.)



NOTICE: The information contained in this drawing is proprietary and must not be used without the permission of Cinch Connectivity Solutions.

UNLESS OTHERWISE NOTED DIMENSIONS ARE IN INCHES AND TOLERANCES ARE:

- 3 PLACE DECIMALS ±.005
- 2 PLACE DECIMALS ±.02
- FRACTIONS ±1/64
- PARALLELITY: T.I.R. _____
- FLATNESS: T.I.R. _____
- CONCENTRICITY: T.I.R. _____
- ANGLES AND PERPENDICULARITY: ±1°

CAGE CODE
34078 **MIDWEST MICROWAVE**

TITLE
DIRECTIONAL COUPLER
OUTLINE DRAWING



DRAWN/DATE A.BEATTY 10/22/93	ENG./DATE P.GOODMAN 10/22/93	DRAWING NUMBER CPL-5028-30-NNN-79-01	REV. L
CHECKED/DATE M.HOLLMAN 10/22/93	APPROVED/DATE	SCALE: 2=1	SHEET 1 of 1

MODEL NUMBER
CPL-5028-30-NNN-79