



Chipsmall Limited consists of a professional team with an average of over 10 year of expertise in the distribution of electronic components. Based in Hongkong, we have already established firm and mutual-benefit business relationships with customers from,Europe,America and south Asia,supplying obsolete and hard-to-find components to meet their specific needs.

With the principle of “Quality Parts,Customers Priority,Honest Operation,and Considerate Service”,our business mainly focus on the distribution of electronic components. Line cards we deal with include Microchip,ALPS,ROHM,Xilinx,Pulse,ON,Everlight and Freescale. Main products comprise IC,Modules,Potentiometer,IC Socket,Relay,Connector.Our parts cover such applications as commercial,industrial, and automotives areas.

We are looking forward to setting up business relationship with you and hope to provide you with the best service and solution. Let us make a better world for our industry!



## Contact us

Tel: +86-755-8981 8866 Fax: +86-755-8427 6832

Email & Skype: info@chipsmall.com Web: www.chipsmall.com

Address: A1208, Overseas Decoration Building, #122 Zhenhua RD., Futian, Shenzhen, China



MODEL NUMBER  
CPL-5214-20-SMA-79

NOTES:

1.0 ELECTRICAL SPECIFICATIONS:

1.1 FREQUENCY RANGE: 4.0 to 8.0 GHz

1.2 FREQ. SENSITIVITY:  $\pm 0.50$ dB

1.3 COUPLING: 20dB  $\pm 1.0$

1.4 VSWR (MAX): 1.25:1

1.5 INSERTION LOSS (EXC. COUPLED POWER):  
0.35dB MAX.

1.6 DIRECTIVITY: 20dB MIN.

1.7 POWER: INPUT: 50 WATTS

REF: 50 WATTS

PEAK: 4,000 WATTS

1.8 RF IMPEDANCE: 50 OHMS

1.9 WIEGHT: 0.60 Oz (17.0 GRAMS)

2.0 FINISHING:

2.1 GREY OVER MIL-E-15090 TYPE II, CLASS 2

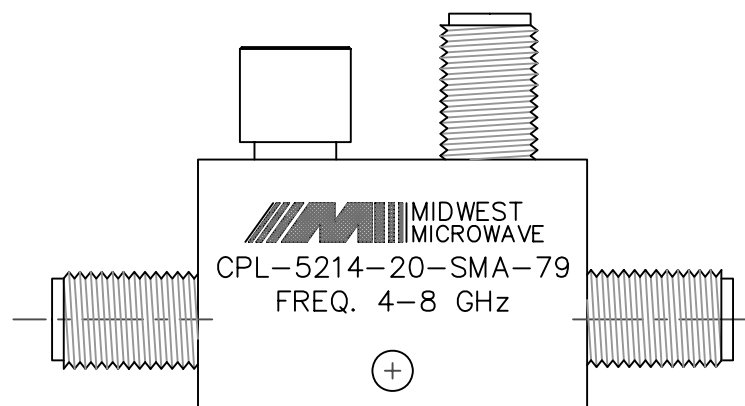
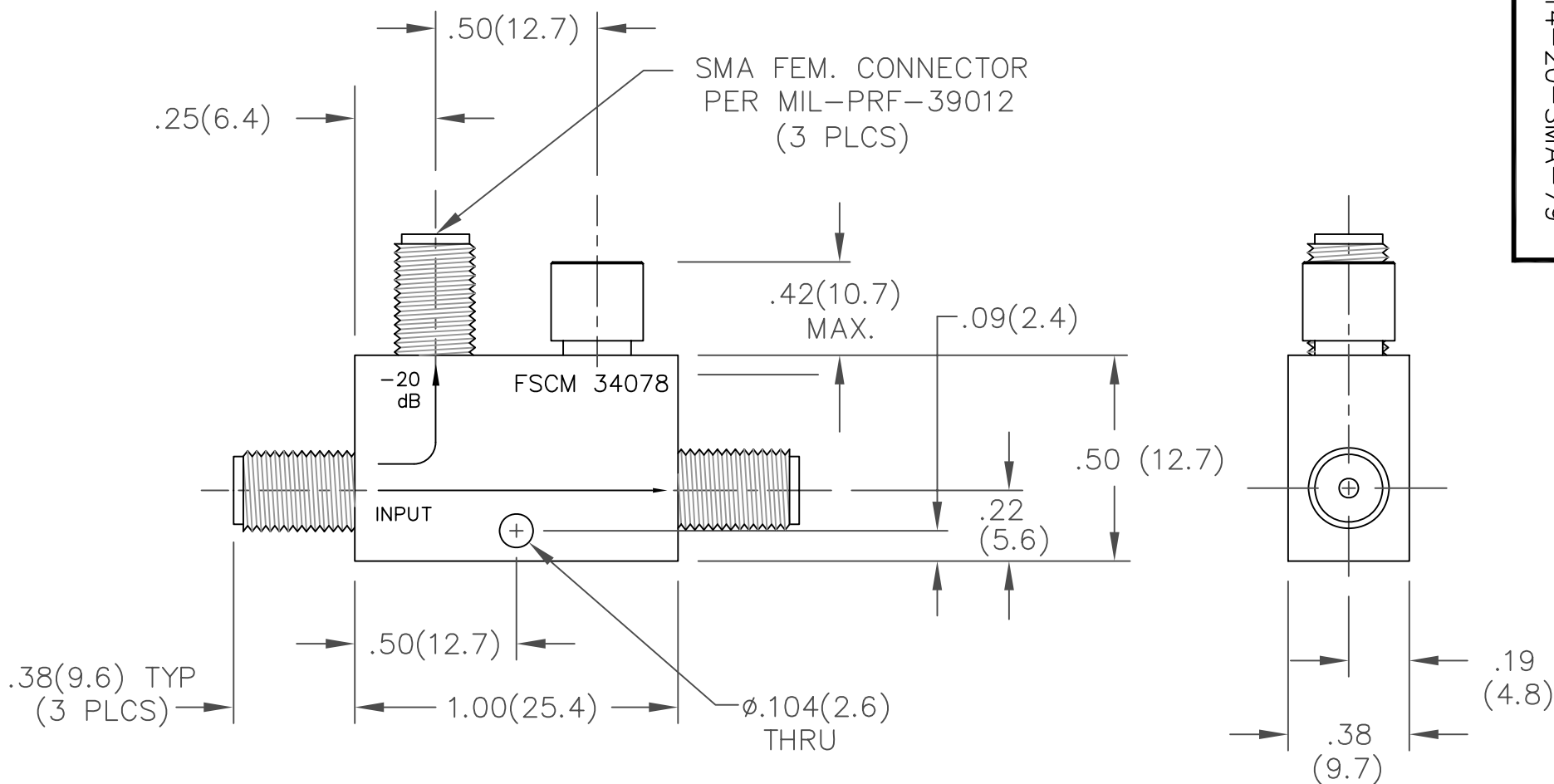
OVER MIL-C-5541 CLASS 3A

MEETS MIL-F-14072

MEETS MIL-E-5400 AND MIL-E-16400V.

2.2 MARK UNIT AS SHOWN.

3.0 DIMENSIONS IN PARENTHESIS ARE  
IN MILLIMETERS.



BACKSIDE MARKING

NOTICE: The information contained in this drawing is proprietary and must not be used without the permission of Emerson Network Power.

UNLESS OTHERWISE NOTED DIMENSIONS ARE IN INCHES AND TOLERANCES ARE:

3 PLACE DECIMALS  $\pm .005$

2 PLACE DECIMALS  $\pm .02$

FRACTIONS  $\pm 1/64$

PARALLELITY: T.I.R. \_\_\_\_\_

FLATNESS: T.I.R. \_\_\_\_\_

CONCENTRICITY: T.I.R. \_\_\_\_\_

ANGLES AND PERPENDICULARITY:  $\pm 1'$

CAGE CODE

34078

MIDWEST MICROWAVE



**EMERSON**  
Network Power  
Connectivity Solutions

DRAWN/DATE  
A.BEATTY  
8/9/91

ENG./DATE  
T.MATTHEWS  
8/13/91

CHECKED/DATE  
C.RICKARD  
8/12/91

APPROVED/DATE

TITLE

DIRECTIONAL COUPLER  
OUTLINE DRAWING

DRAWING NUMBER

CPL-5214-20-SMA-79-01

REV.

G1

SCALE: 2=1

SHEET 1 of 1

REV.	DESCRIPTION	DATE
-	RELEASED	8/13/91
A	ECN 15615	12/4/96
A1	ADDED TITLEBLOCK	4/15/05
G	ECO 22706	12/6/10
G1	ECO 23119	12/27/10