



Chipsmall Limited consists of a professional team with an average of over 10 year of expertise in the distribution of electronic components. Based in Hongkong, we have already established firm and mutual-benefit business relationships with customers from,Europe,America and south Asia,supplying obsolete and hard-to-find components to meet their specific needs.

With the principle of "Quality Parts,Customers Priority,Honest Operation,and Considerate Service",our business mainly focus on the distribution of electronic components. Line cards we deal with include Microchip,ALPS,ROHM,Xilinx,Pulse,ON,Everlight and Freescale. Main products comprise IC,Modules,Potentiometer,IC Socket,Relay,Connector.Our parts cover such applications as commercial,industrial, and automotives areas.

We are looking forward to setting up business relationship with you and hope to provide you with the best service and solution. Let us make a better world for our industry!



Contact us

Tel: +86-755-8981 8866 Fax: +86-755-8427 6832

Email & Skype: info@chipsmall.com Web: www.chipsmall.com

Address: A1208, Overseas Decoration Building, #122 Zhenhua RD., Futian, Shenzhen, China



NOTES:

1.0 ELECTRICAL SPECIFICATIONS:

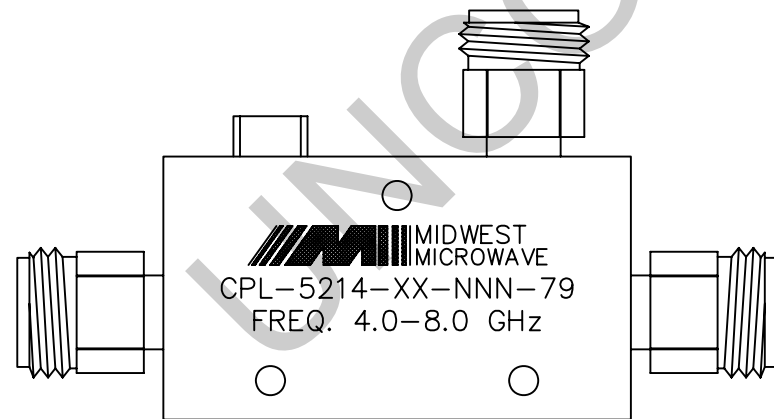
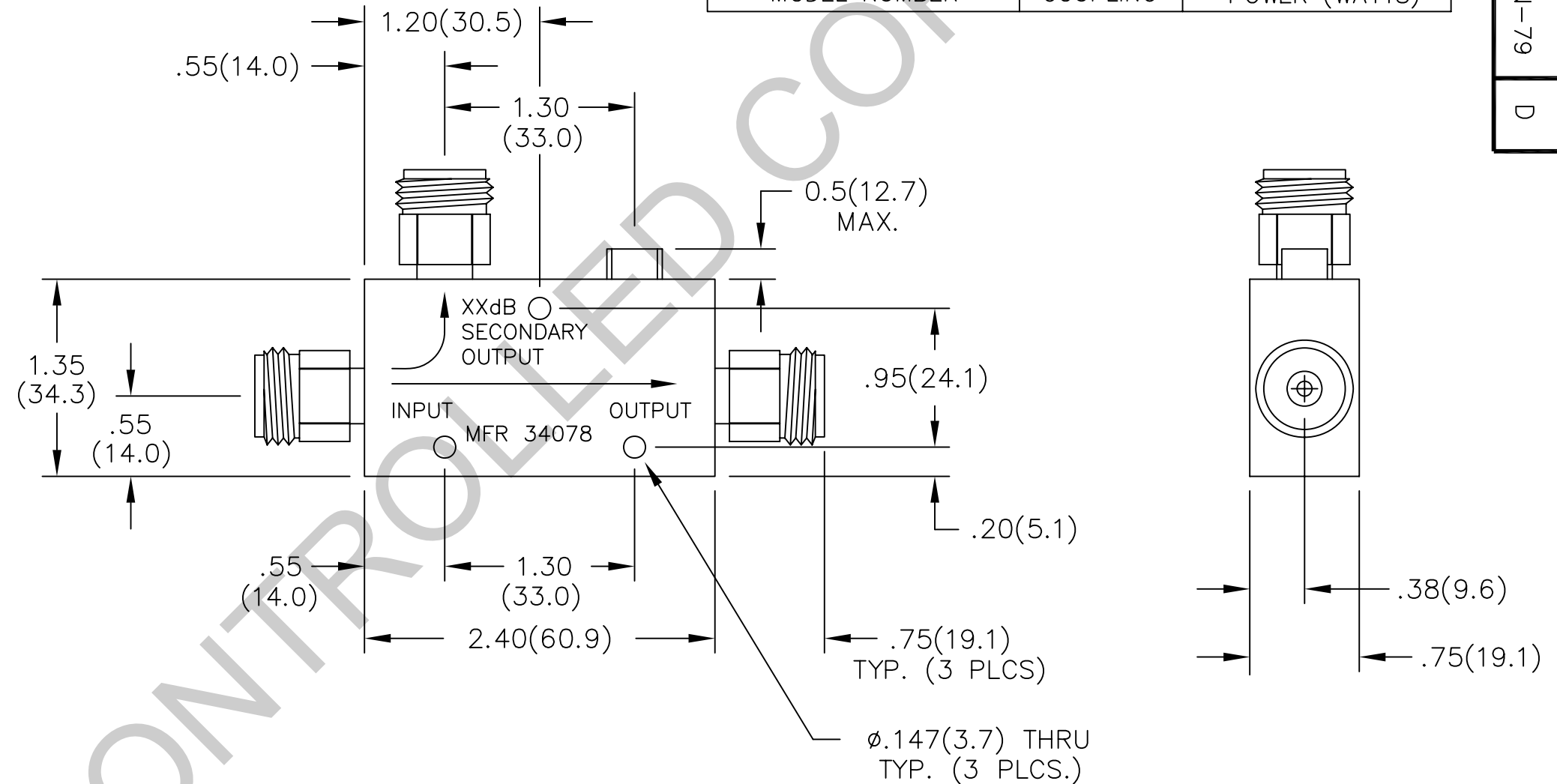
- 1.1 FREQUENCY RANGE: 4.0 to 8.0 GHz
- 1.2 FREQ. SENSITIVITY: ± 0.75 dB
- 1.3 COUPLING: SEE TABLE
- 1.4 VSWR (MAX): 1.30:1
- 1.5 INSERTION LOSS (EXC. COUPLED POWER): 0.50dB MAX.
- 1.6 DIRECTIVITY: 18dB MIN.
- 1.7 POWER: SEE TABLE
- 1.8 RF IMPEDANCE: 50 OHMS
- 1.9 WEIGHT (MAX.): 6.8 oz.

2.0 FINISHING:

- 2.1 GREY OVER MIL-E-15090 TYPE II, CLASS 2 OVER MIL-C-5541 CLASS 3A MEETS MIL-F-14072 MEETS MIL-E-5400 AND MIL-E-16400V.
- 2.2 MARK UNIT AS SHOWN. (REF.: SLK-08029-82-[12-15])

3.0 DIMENSIONS IN PARENTHESIS ARE IN MILLIMETERS.

CPL-5214-30-NNN-79	30dB	50	50	4,000
CPL-5214-20-NNN-79	20dB	50	50	4,000
CPL-5214-10-NNN-79	10dB	50	10	4,000
CPL-5214-06-NNN-79	6dB	50	4	4,000
CPL-5214-XX-NNN-79 MODEL NUMBER	-XX ± 1.0 dB COUPLING	INPUT	REF.	PEAK
		POWER (WATTS)		



BACKSIDE MARKING

MODEL NUMBER
CPL-5214-XX-NNN-79
REV.
D

REV.	DESCRIPTION	DATE
-	RELEASED	1/21/97
A	ECN 15923	4/9/97
B	ECN 16439	1/16/98
C	ECN 18787	10/22/02
D	ECN 20844	5/8/06

UNLESS OTHERWISE NOTED DIMENSIONS ARE IN INCHES AND TOLERANCES ARE:		FSCM NO. 34078		MIDWEST MICROWAVE	
3 PLACE DECIMALS $\pm .005$		NOTICE: The information contained in this drawing is proprietary and must not be used without the permission of Midwest Microwave		TITLE DIRECTIONAL COUPLER	
2 PLACE DECIMALS $\pm .02$				DRAWING NUMBER CPL-5214-XX-NNN-79	
FRACTIONS $\pm 1/64$		DRAWN/DATE J.VERNON 1/15/97	ENG./DATE J.O'NEIL 1/21/97	SCALE: 1=1	
PARALLELITY: T.I.R. _____		CHECKED/DATE	APPROVED/DATE	SHEET 1 of 1	
FLATNESS: T.I.R. _____					
CONCENTRICITY: T.I.R. _____					
ANGLES AND PERPENDICULARITY: $\pm 1'$					