



Chipsmall Limited consists of a professional team with an average of over 10 year of expertise in the distribution of electronic components. Based in Hongkong, we have already established firm and mutual-benefit business relationships with customers from,Europe,America and south Asia,supplying obsolete and hard-to-find components to meet their specific needs.

With the principle of “Quality Parts,Customers Priority,Honest Operation,and Considerate Service”,our business mainly focus on the distribution of electronic components. Line cards we deal with include Microchip,ALPS,ROHM,Xilinx,Pulse,ON,Everlight and Freescale. Main products comprise IC,Modules,Potentiometer,IC Socket,Relay,Connector.Our parts cover such applications as commercial,industrial, and automotives areas.

We are looking forward to setting up business relationship with you and hope to provide you with the best service and solution. Let us make a better world for our industry!



Contact us

Tel: +86-755-8981 8866 Fax: +86-755-8427 6832

Email & Skype: info@chipsmall.com Web: www.chipsmall.com

Address: A1208, Overseas Decoration Building, #122 Zhenhua RD., Futian, Shenzhen, China



MODEL NUMBER
CPL-5216-XX-TNC-79

NOTES:

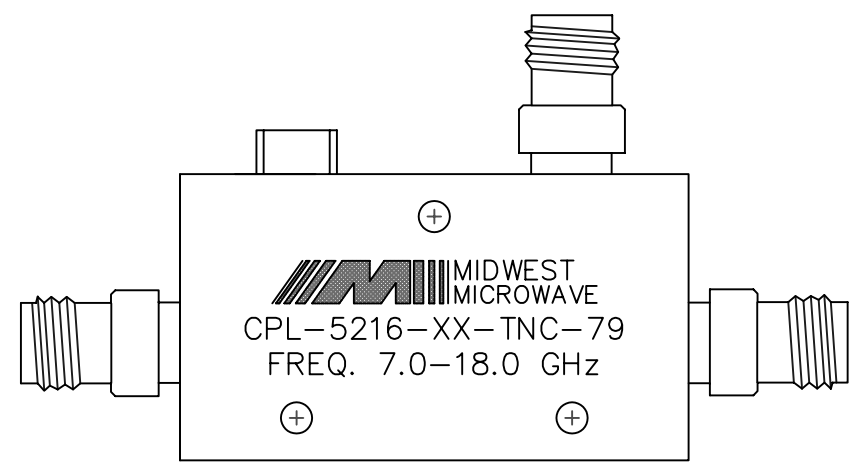
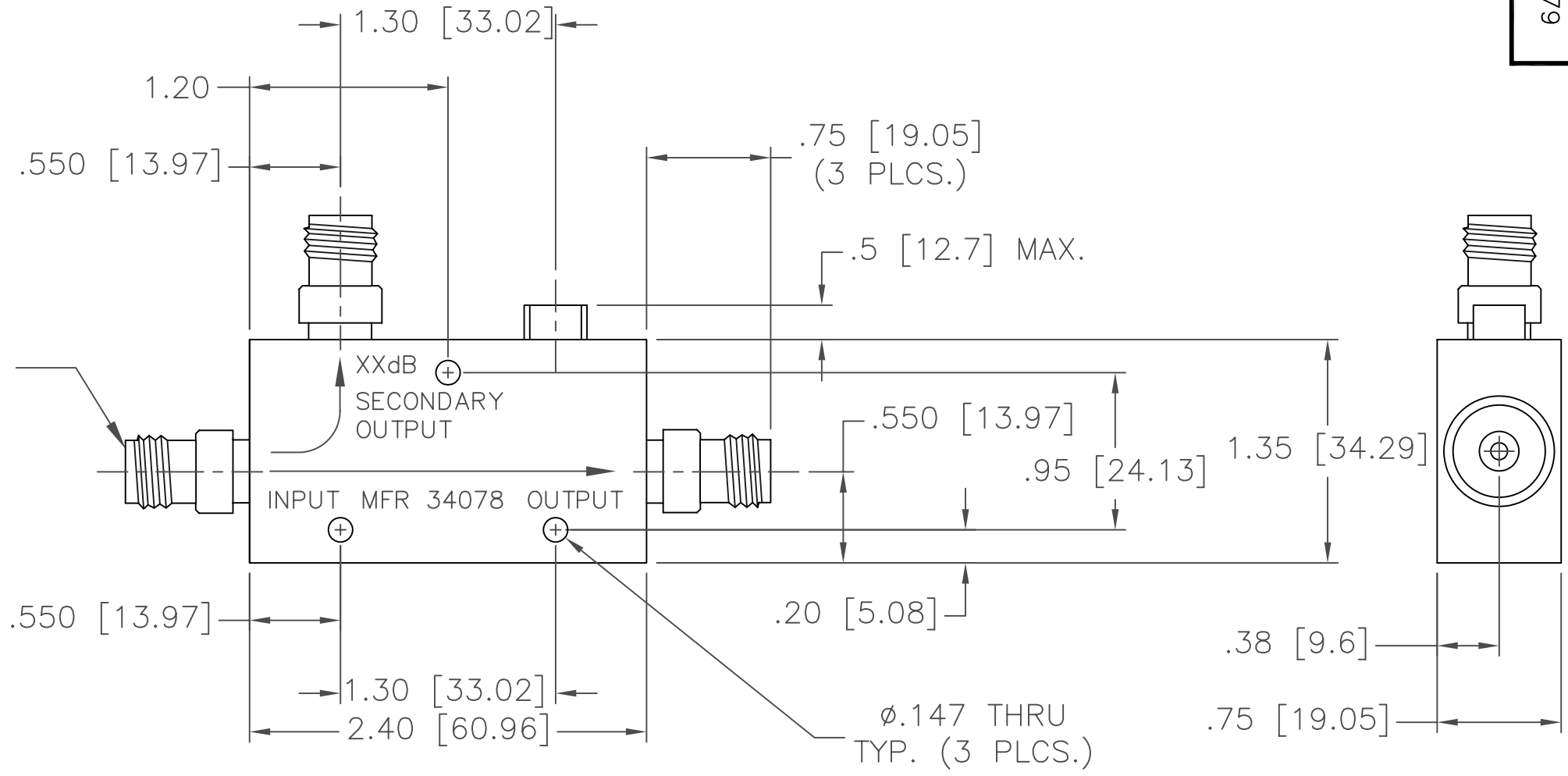
- 1.0 ELECTRICAL SPECIFICATIONS:
 1.1 FREQUENCY RANGE: 7.0 to 18.0 GHz
 1.2 FREQ. SENSITIVITY: ±0.75dB
 1.3 VSWR (MAX): 1.50:1
 1.4 INSERTION LOSS: 0.8dB (EXCLUDING COUP. LOSS)
 1.5 DIRECTIVITY:
 7.0 to 12.4 GHz: 15dB MIN.
 12.4 to 18.0 GHz: 12dB MIN.
 1.6 POWER: SEE TABLE
 1.7 RF IMPEDANCE: 50 OHMS
 1.8 COUPLING: SEE TABLE
 1.9 WEIGHT (MAX.): 7.0 oz.

- 2.0 FINISHING:
 2.1 GREY OVER MIL-E-15090 TYPE II, CLASS 2
 OVER MIL-C-5541 CLASS 3A
 MEETS MIL-F-14072
 MEETS MIL-E-5400 AND MIL-E-16400V.
 2.2 MARK UNIT AS SHOWN.
 REF: SLK-08139-82-[16-19]

3.0 DIMENSIONS IN PARENTHESIS ARE IN MILLIMETERS.

TYPE TNCA JACK INTERFACE PER MIL-STD-348A FIG. 313-44 (INTERFACE ALSO MEETS TYPE TNC 18 GHz, GRADE 1 PER IEC 169-26, FIG 2) TYP. (3 PLCS.)

MIDWEST MODEL NUMBER CPL-5216-XX-TNC-79	NOMINAL COUPLING	POWER(WATTS)		
		INPUT	REF	PEAK
CPL-5216-06-TNC-79	6 ±1.0dB	50	4	4000
CPL-5216-10-TNC-79	10 ±1.0dB	50	10	4000
CPL-5216-20-TNC-79	20 ±1.0dB	50	50	4000
CPL-5216-30-TNC-79	30 ±1.0dB	50	50	4000



BACKSIDE MARKING

NOTICE: The information contained in this drawing is proprietary and must not be used without the permission of Emerson Network Power.

UNLESS OTHERWISE NOTED DIMENSIONS ARE IN INCHES AND TOLERANCES ARE:
 3 PLACE DECIMALS ±.005
 2 PLACE DECIMALS ±.02
 FRACTIONS ±1/64
 PARALLELITY: T.I.R. _____
 FLATNESS: T.I.R. _____
 CONCENTRICITY: T.I.R. _____
 ANGLES AND PERPENDICULARITY: ±1'

CAGE CODE 34078		MIDWEST MICROWAVE	
		TITLE DIRECTIONAL COUPLER OUTLINE DRAWING	
		DRAWING NUMBER CPL-5216-XX-TNC-79-01	REV. B
DRAWN/DATE S.ORLOV 4/28/06 CHECKED/DATE	ENG./DATE R.HALL 5/9/06 APPROVED/DATE	SCALE: 2=1	SHEET 1 of 1

REV.	DESCRIPTION	DATE
I	RELEASED	5/9/05
A	ECN 20913	6/21/06
B	ECN 20918	6/26/06