



Chipsmall Limited consists of a professional team with an average of over 10 year of expertise in the distribution of electronic components. Based in Hongkong, we have already established firm and mutual-benefit business relationships with customers from,Europe,America and south Asia,supplying obsolete and hard-to-find components to meet their specific needs.

With the principle of “Quality Parts,Customers Priority,Honest Operation,and Considerate Service”,our business mainly focus on the distribution of electronic components. Line cards we deal with include Microchip,ALPS,ROHM,Xilinx,Pulse,ON,Everlight and Freescale. Main products comprise IC,Modules,Potentiometer,IC Socket,Relay,Connector.Our parts cover such applications as commercial,industrial, and automotives areas.

We are looking forward to setting up business relationship with you and hope to provide you with the best service and solution. Let us make a better world for our industry!



Contact us

Tel: +86-755-8981 8866 Fax: +86-755-8427 6832

Email & Skype: info@chipsmall.com Web: www.chipsmall.com

Address: A1208, Overseas Decoration Building, #122 Zhenhua RD., Futian, Shenzhen, China



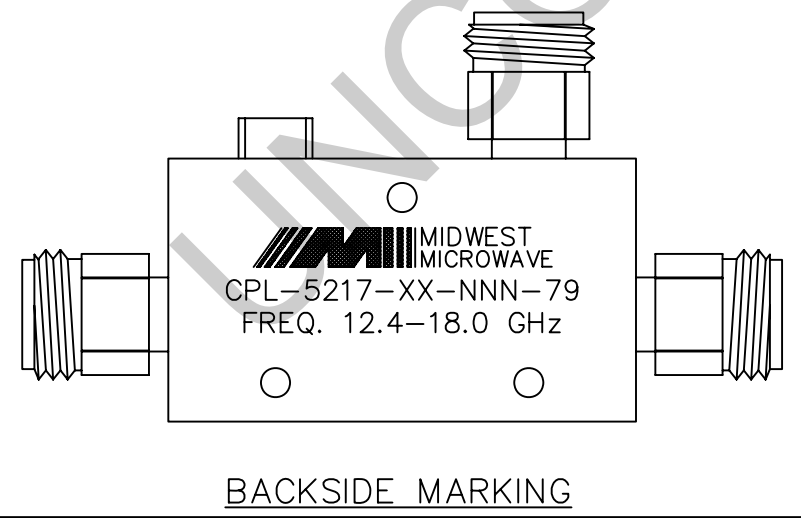
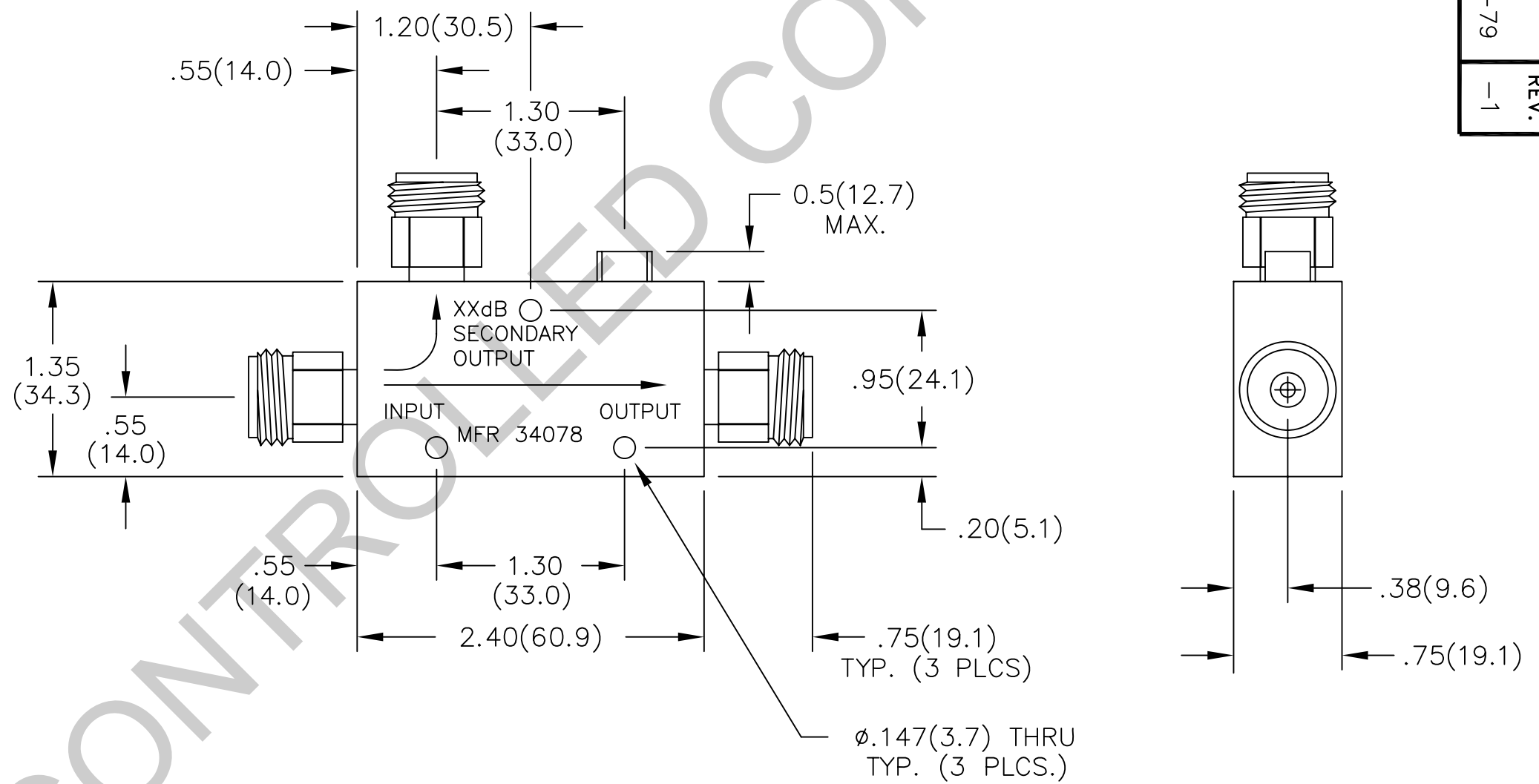
NOTES:

- 1.0 ELECTRICAL SPECIFICATIONS:
 1.1 FREQUENCY RANGE: 12.4 to 18.0 GHz
 1.2 FREQ. SENSITIVITY: ±0.75dB
 1.3 COUPLING: SEE TABLE
 1.4 VSWR (MAX): 1.50:1
 1.5 INSERTION LOSS (EXC. COUPLED POWER):
 0.80dB MAX.
 1.6 DIRECTIVITY: 12dB MIN.
 1.7 POWER: SEE TABLE
 1.8 RF IMPEDANCE: 50 OHMS
 1.9 WEIGHT (MAX.): 6.8 oz.

- 2.0 FINISHING:
 2.1 GREY OVER MIL-E-15090 TYPE II, CLASS 2
 OVER MIL-C-5541 CLASS 3A
 MEETS MIL-F-14072
 MEETS MIL-E-5400 AND MIL-E-16400V.
 2.2 MARK UNIT AS SHOWN.
 (REF.: SLK-08029-82-[36-39])

3.0 DIMENSIONS IN PARENTHESIS ARE IN MILLIMETERS.

CPL-5217-30-NNN-79	30dB	50	50	2,000
CPL-5217-20-NNN-79	20dB	50	50	2,000
CPL-5217-10-NNN-79	10dB	50	10	2,000
CPL-5217-06-NNN-79	6dB	50	4	2,000
CPL-5217-XX-NNN-79	-XX ±1.0dB	INPUT	REF.	PEAK
MODEL NUMBER	COUPLING	POWER (WATTS)		



UNLESS OTHERWISE NOTED DIMENSIONS ARE IN INCHES AND TOLERANCES ARE: 3 PLACE DECIMALS ±.005 2 PLACE DECIMALS ±.02 FRACTIONS ±1/64 PARALLELITY: T.I.R. _____ FLATNESS: T.I.R. _____ CONCENTRICITY: T.I.R. _____ ANGLES AND PERPENDICULARITY: ±1°	FSCM NO. 34078	MIDWEST MICROWAVE	
	NOTICE: The information contained in this drawing is proprietary and must not be used without the permission of Midwest Microwave		TITLE DIRECTIONAL COUPLER
DRAWN/DATE J.VERNON 1/20/98	ENG./DATE J.O'NEIL 2/17/98	DRAWING NUMBER CPL-5217-XX-NNN-79	
CHECKED/DATE	APPROVED/DATE	SCALE: 1=1	SHEET 1 of 1

DATE	2/23/98	4/22/05
DESCRIPTION	RELEASED	ADDED TITLEBLOCK
REV.	-	-1