



Chipsmall Limited consists of a professional team with an average of over 10 year of expertise in the distribution of electronic components. Based in Hongkong, we have already established firm and mutual-benefit business relationships with customers from,Europe,America and south Asia,supplying obsolete and hard-to-find components to meet their specific needs.

With the principle of "Quality Parts,Customers Priority,Honest Operation,and Considerate Service",our business mainly focus on the distribution of electronic components. Line cards we deal with include Microchip,ALPS,ROHM,Xilinx,Pulse,ON,Everlight and Freescale. Main products comprise IC,Modules,Potentiometer,IC Socket,Relay,Connector.Our parts cover such applications as commercial,industrial, and automotives areas.

We are looking forward to setting up business relationship with you and hope to provide you with the best service and solution. Let us make a better world for our industry!



Contact us

Tel: +86-755-8981 8866 Fax: +86-755-8427 6832

Email & Skype: info@chipsmall.com Web: www.chipsmall.com

Address: A1208, Overseas Decoration Building, #122 Zhenhua RD., Futian, Shenzhen, China



NOTES:

1.0 ELECTRICAL SPECIFICATIONS:

- 1.1 FREQUENCY RANGE: 0.0 TO 2.0 GHz
- 1.2 COUPLING: SEE TABLE
- 1.3 FREQUENCY SENSITIVITY: ± 0.5 dB
- 1.4 DIRECTIVITY: 18dB MIN.
- 1.5 VSWR: 1.20:1 MAX.
- 1.6 INSERTION LOSS: 0.5dB MAX.
(EXCLUDING COUPLED POWER)
- 1.7 POWER: SEE TABLE
- 1.8 RF IMPEDANCE: 50 OHMS
- 1.9 WEIGHT (MAX): 10.4 oz

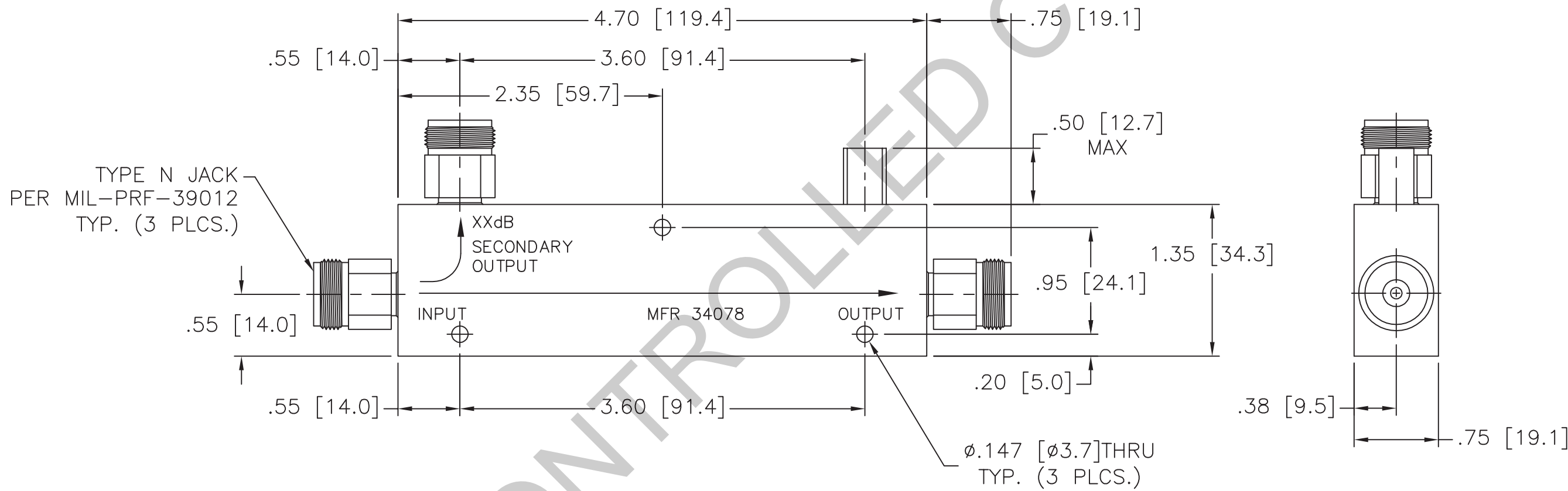
2.0 FINISHING:

- 2.1 GREY PER MIL-E-15090 TYPE II, CLASS 2
OVER MIL-C-5541 CLASS 3A
MEETS MIL-F-14072
MEETS MIL-E-5400
- 2.2 MARKING: MARK UNIT AS SHOWN

3.0 DIMENSIONS IN BRACKETS ARE IN MILLIMETERS.

MIDWEST MODEL NUMBER CPL-5220-XX-NNN-79	COUPLING	POWER (WATTS)		
		INPUT	REF.	PEAK
CPL-5220-06-NNN-79	6 ± 1.0 dB	50	10	4000
CPL-5220-10-NNN-79	10 ± 1.0 dB	50	10	4000
CPL-5220-16-NNN-79	16 ± 1.0 dB	50	40	4000
CPL-5220-20-NNN-79	20 ± 1.0 dB	50	50	4000

MODEL NUMBER
CPL-5220-XX-NNN-79



BACKSIDE MARKING

REV.	DESCRIPTION	DATE
-	RELEASED	6/26/96
A	ECN 15762	2/10/96
B	ECN 16429	1/6/98
C	ECN 16472	2/3/98
C1	ADD TITLEBLOCK	4/22/05
C2	ECO 22339	2/18/10

<p>NOTICE: The information contained in this drawing is proprietary and must not be used without the permission of Cinch Connectivity Solutions.</p> <p>UNLESS OTHERWISE NOTED DIMENSIONS ARE IN INCHES AND TOLERANCES ARE: 3 PLACE DECIMALS $\pm .005$ 2 PLACE DECIMALS $\pm .020$ FRACTIONS $\pm 1/64$ PARALLELITY: T.I.R. _____ FLATNESS: T.I.R. _____ CONCENTRICITY: T.I.R. _____ ANGLES AND PERPENDICULARITY: $\pm 1^\circ$</p>	<p>CAGE CODE 34078</p>	<p>MIDWEST MICROWAVE</p>	
		<p>TITLE DIRECTIONAL COUPLER OUTLINE DRAWING</p>	
<p>DRAWN/DATE M. STAFFORD 6/21/96</p>	<p>ENG./DATE J. O'NEIL 6/26/96</p>	<p>DRAWING NUMBER CPL-5220-XX-NNN-79-01</p>	<p>REV. C2</p>
<p>CHECKED/DATE J. VERNON 6/24/96</p>	<p>APPROVED/DATE</p>	<p>SCALE: 1:1</p>	<p>SHEET 1 of 1</p>