



Chipsmall Limited consists of a professional team with an average of over 10 year of expertise in the distribution of electronic components. Based in Hongkong, we have already established firm and mutual-benefit business relationships with customers from,Europe,America and south Asia,supplying obsolete and hard-to-find components to meet their specific needs.

With the principle of “Quality Parts,Customers Priority,Honest Operation,and Considerate Service”,our business mainly focus on the distribution of electronic components. Line cards we deal with include Microchip,ALPS,ROHM,Xilinx,Pulse,ON,Everlight and Freescale. Main products comprise IC,Modules,Potentiometer,IC Socket,Relay,Connector.Our parts cover such applications as commercial,industrial, and automotives areas.

We are looking forward to setting up business relationship with you and hope to provide you with the best service and solution. Let us make a better world for our industry!



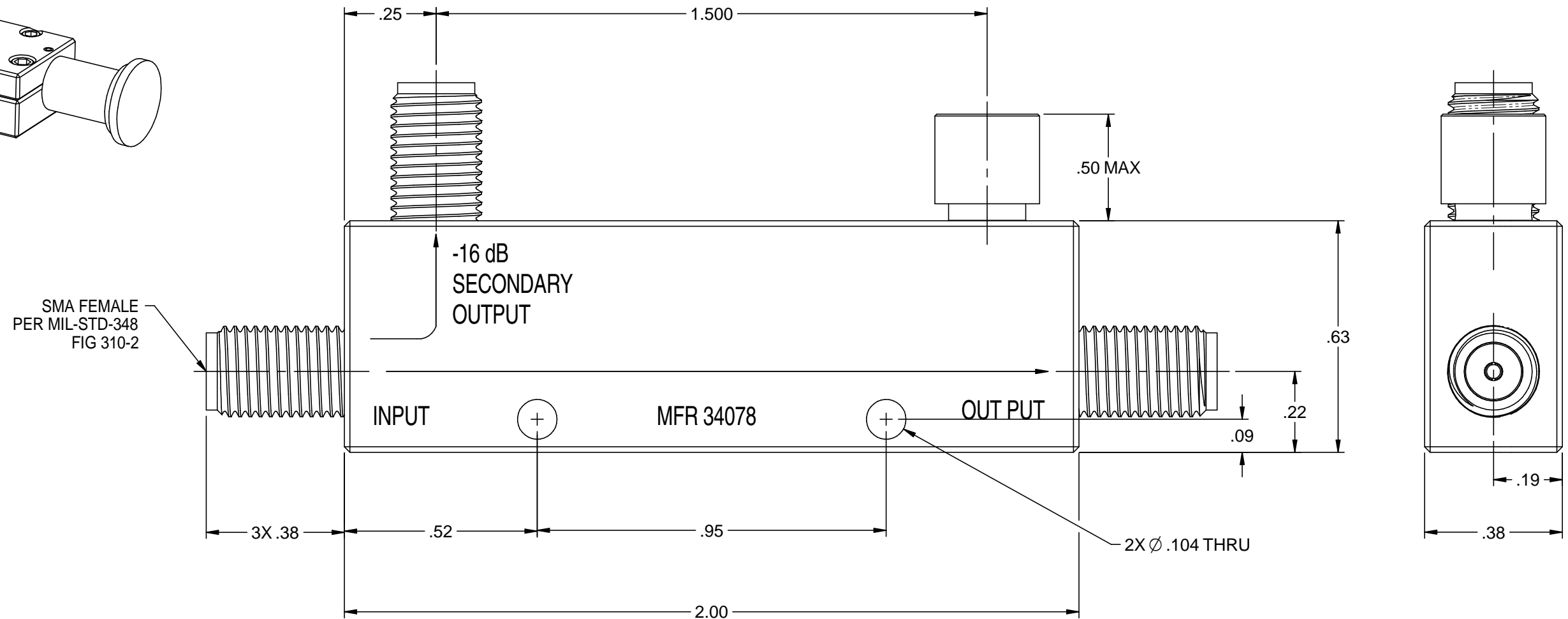
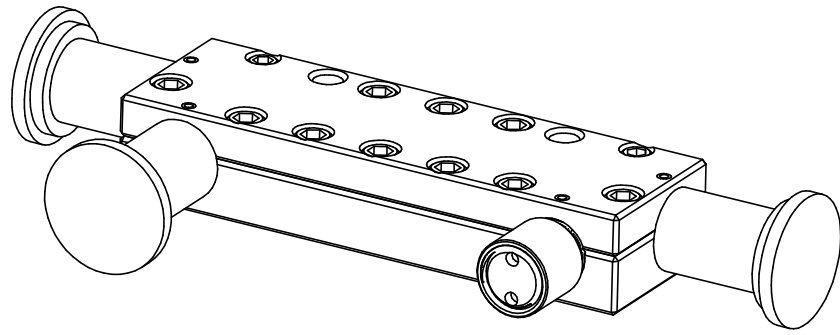
Contact us

Tel: +86-755-8981 8866 Fax: +86-755-8427 6832

Email & Skype: info@chipsmall.com Web: www.chipsmall.com

Address: A1208, Overseas Decoration Building, #122 Zhenhua RD., Futian, Shenzhen, China





NOTES: UNLESS OTHERWISE SPECIFIED.

1. MATERIALS & FINISH:

- 1.1 HOUSING: PAINTED ALUMINUM ALLOY
GREY OVER MIL-E-15090 TYPE II, CLASS 2
OVER MIL-C-5541 CLASS 3A
MEETS MIL-F-14072
MEETS MIL-E-5400 AND MIL-E-16400V
- 1.2 HOUSING (SMA & TERM) PASSIVATED STAINLESS STEEL
- 1.3 CENTER CONTACT: GOLD PLATED BRASS
- 1.4 DIELECTRIC: PTFE (TEFLON)
- 1.5 DUST CAP: LOW DENSITY POLYETHYLENE

2. ELECTRICAL SPECIFICATIONS:

- 2.1 FREQUENCY RANGE: 2.0 TO 8.0 GHz
- 2.2 FREQ. SENSITIVITY: +0.50dB
- 2.3 COUPLING: 16dB ± 1.0dB
- 2.4 VSWR (MAX): 1.25:1
- 2.5 INSERTION LOSS (EXC. COUPLED POWER): 0.50dB
- 2.6 DIRECTIVITY: 20dB MIN.
- 2.3 POWER:
 - AVG.: 50 WATTS
 - PEAK: 3 KILOWATT
- 2.4 RF IMPEDANCE: 50 OHMS NOMINAL
- 2.5 WEIGHT: 1.30 Oz



		Midwest Microwave	
	RoHS2	Title: DIRECTIONAL COUPLER	
<small>This PROPRIETARY Document is property of Emerson Network Power Connectivity Solutions. It is confidential in nature, non-transferable, and issued with the understanding that it is not to be copied, reproduced, or distributed without permission and is returnable upon demand.</small>		Model No. CPL-5222-16-SMA-79	
<small>UNLESS OTHERWISE SPECIFIED UNITS: INCH</small>		Size B	DO NOT SCALE DRAWING
<small>INTERPRET DRAWING IN ACCORDANCE WITH ASME Y14.5-2009</small>		Date: 7/23/2014	Sheet 1 of 1