



Chipsmall Limited consists of a professional team with an average of over 10 year of expertise in the distribution of electronic components. Based in Hongkong, we have already established firm and mutual-benefit business relationships with customers from,Europe,America and south Asia,supplying obsolete and hard-to-find components to meet their specific needs.

With the principle of "Quality Parts,Customers Priority,Honest Operation,and Considerate Service",our business mainly focus on the distribution of electronic components. Line cards we deal with include Microchip,ALPS,ROHM,Xilinx,Pulse,ON,Everlight and Freescale. Main products comprise IC,Modules,Potentiometer,IC Socket,Relay,Connector.Our parts cover such applications as commercial,industrial, and automotives areas.

We are looking forward to setting up business relationship with you and hope to provide you with the best service and solution. Let us make a better world for our industry!



## Contact us

Tel: +86-755-8981 8866 Fax: +86-755-8427 6832

Email & Skype: info@chipsmall.com Web: www.chipsmall.com

Address: A1208, Overseas Decoration Building, #122 Zhenhua RD., Futian, Shenzhen, China

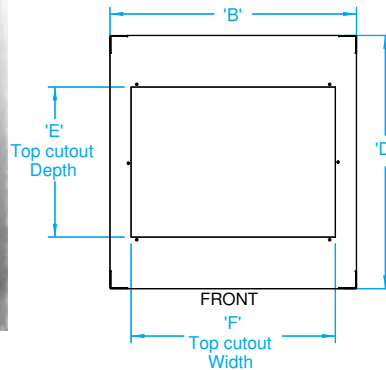


# Frames (C2 Series)

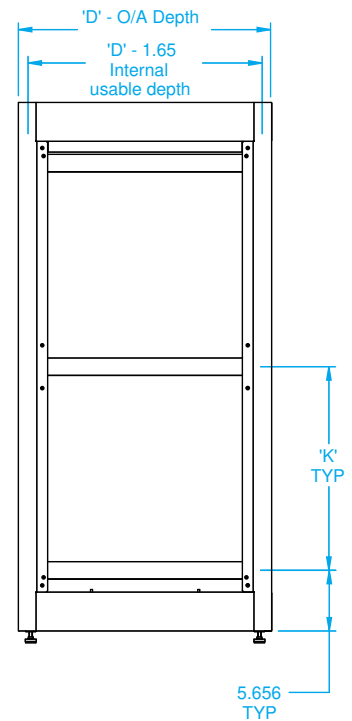
**- FRAME ONLY -  
PANEL RAILS  
NOT INCLUDED**



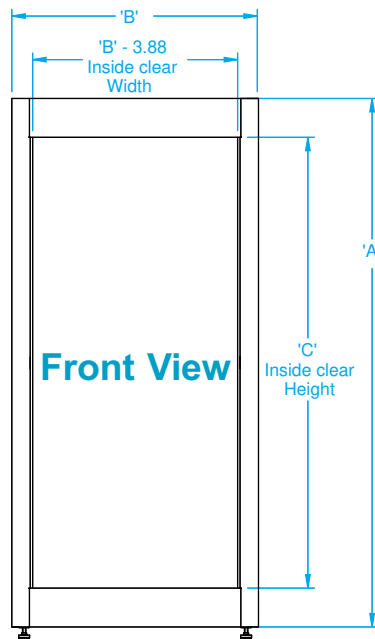
**Top View**



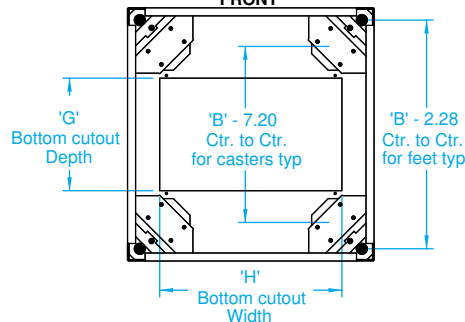
**Right Side View**



**Front View**



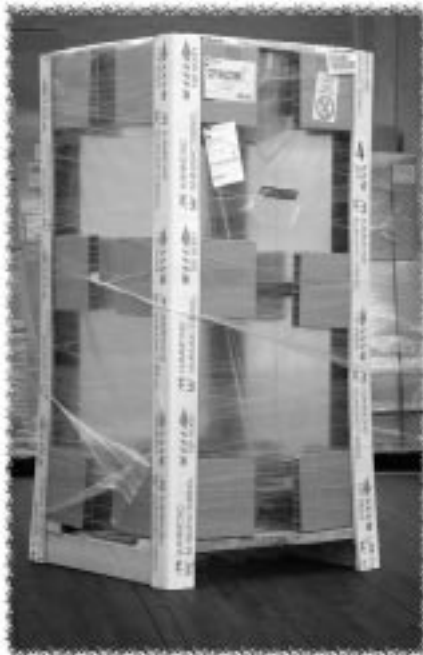
**FRONT**



**Bottom View**

19" Rack Mount

Welded



*Shipped on it's own skid for handling ease & protection*

## FEATURES

- Heavy duty welded rack frame
- Recommended maximum weight (C2F247836 tested) - 1,500 pounds
- Standard 19" panel mount width (23" overall width)
- For 19" extra wide, 23" and 24" rack mount cabinets for vertical cable management applications see page 56
- Choice of three depths (23.6", 31.5" or 36")
- Unit is shipped as a welded frame only with 4 levelling feet
- **Panel rails are NOT included** allows maximum flexibility of panel rails, quantity & options (ie..tapped or square hole) see page 45 for options.
- Heavy duty: 14 gauge welded steel frame
- Finished in a rugged, textured powder paint finish
- Welded frame bottom includes caster mounts
- See ordering guide (next page)

### 23.63" Deep (Usable Depth = 21.63")

| Part Number    |                | Dimensions (Inches) |       |         |       |       |            |       |               |       |               |
|----------------|----------------|---------------------|-------|---------|-------|-------|------------|-------|---------------|-------|---------------|
|                |                | Panel Height        |       | Overall |       |       | Top Cutout |       | Bottom Cutout |       | Strut Spacing |
|                |                |                     |       | Height  | Width | Depth | Depth      | Width | Depth         | Width |               |
| Black Textured | Beige Textured | C                   | Units | A       | B     | D     | E          | F     | G             | H     | K             |
| C2F193523BK1   | C2F193523CG1   | 35.06               | 20    | 42.31   | 23    | 23.63 | 14         | 19    | 10.5          | 17    | N/A           |
| C2F194223BK1   | C2F194223CG1   | 42.06               | 24    | 49.31   | 23    | 23.63 | 14         | 19    | 10.5          | 17    | 19.00         |
| C2F194923BK1   | C2F194923CG1   | 49.06               | 28    | 56.31   | 23    | 23.63 | 14         | 19    | 10.5          | 17    | 22.50         |
| C2F195623BK1   | C2F195623CG1   | 56.06               | 32    | 63.31   | 23    | 23.63 | 14         | 19    | 10.5          | 17    | 26.00         |
| C2F196323BK1   | C2F196323CG1   | 63.06               | 36    | 70.31   | 23    | 23.63 | 14         | 19    | 10.5          | 17    | 29.50         |
| C2F197023BK1   | C2F197023CG1   | 70.06               | 40    | 77.31   | 23    | 23.63 | 14         | 19    | 10.5          | 17    | 33.00         |
| C2F197823BK1   | C2F197823CG1   | 78.81               | 45    | 86.06   | 23    | 23.63 | 14         | 19    | 10.5          | 17    | 37.38         |
| C2F198523BK1   | C2F198523CG1   | 85.81               | 49    | 93.06   | 23    | 23.63 | 14         | 19    | 10.5          | 17    | 40.88         |

### 31.5" Deep (Usable Depth = 29.5")

| Part Number    |                | Dimensions (Inches) |       |         |       |       |            |       |               |       |               |
|----------------|----------------|---------------------|-------|---------|-------|-------|------------|-------|---------------|-------|---------------|
|                |                | Panel Height        |       | Overall |       |       | Top Cutout |       | Bottom Cutout |       | Strut Spacing |
|                |                |                     |       | Height  | Width | Depth | Depth      | Width | Depth         | Width |               |
| Black Textured | Beige Textured | C                   | Units | A       | B     | D     | E          | F     | G             | H     | K             |
| C2F193531BK1   | C2F193531CG1   | 35.06               | 20    | 42.31   | 23    | 31.50 | 22.75      | 19    | 17.5          | 17    | N/A           |
| C2F194231BK1   | C2F194231CG1   | 42.06               | 24    | 49.31   | 23    | 31.50 | 22.75      | 19    | 17.5          | 17    | 19.00         |
| C2F194931BK1   | C2F194931CG1   | 49.06               | 28    | 56.31   | 23    | 31.50 | 22.75      | 19    | 17.5          | 17    | 22.50         |
| C2F195631BK1   | C2F195631CG1   | 56.06               | 32    | 63.31   | 23    | 31.50 | 22.75      | 19    | 17.5          | 17    | 26.00         |
| C2F196331BK1   | C2F196331CG1   | 63.06               | 36    | 70.31   | 23    | 31.50 | 22.75      | 19    | 17.5          | 17    | 29.50         |
| C2F197031BK1   | C2F197031CG1   | 70.06               | 40    | 77.31   | 23    | 31.50 | 22.75      | 19    | 17.5          | 17    | 33.00         |
| C2F197831BK1   | C2F197831CG1   | 78.81               | 45    | 86.06   | 23    | 31.50 | 22.75      | 19    | 17.5          | 17    | 37.38         |
| C2F198531BK1   | C2F198531CG1   | 85.81               | 49    | 93.06   | 23    | 31.50 | 22.75      | 19    | 17.5          | 17    | 40.88         |

### 36" Deep (Usable Depth = 34")

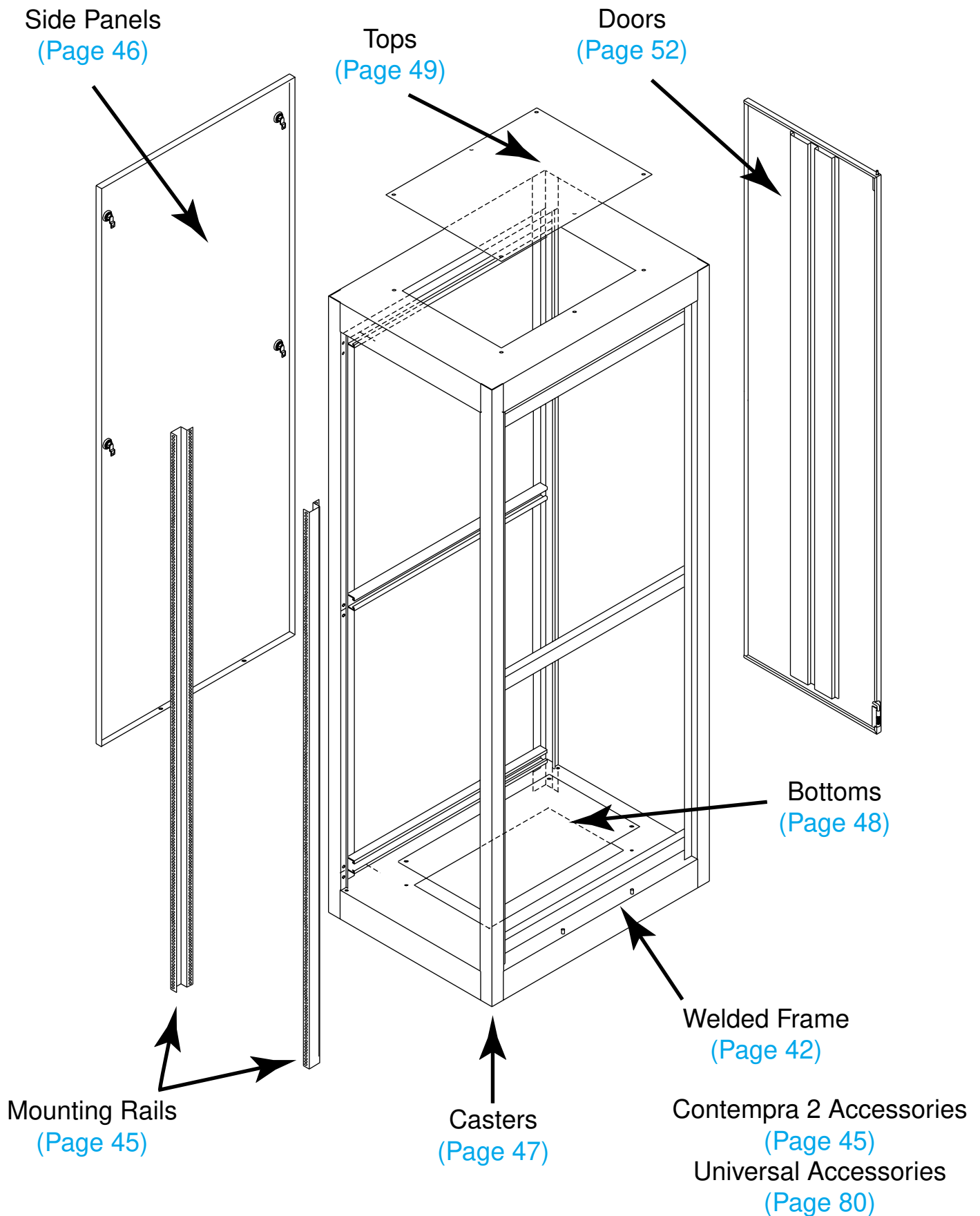
| Part Number    |                | Dimensions (Inches) |       |         |       |       |            |       |               |       |               |
|----------------|----------------|---------------------|-------|---------|-------|-------|------------|-------|---------------|-------|---------------|
|                |                | Panel Height        |       | Overall |       |       | Top Cutout |       | Bottom Cutout |       | Strut Spacing |
|                |                |                     |       | Height  | Width | Depth | Depth      | Width | Depth         | Width |               |
| Black Textured | Beige Textured | C                   | Units | A       | B     | D     | E          | F     | G             | H     | K             |
| C2F193536BK1   | C2F193536CG1   | 35.06               | 20    | 42.31   | 23    | 36    | 27.25      | 19    | 17.5          | 17    | N/A           |
| C2F194236BK1   | C2F194236CG1   | 42.06               | 24    | 49.31   | 23    | 36    | 27.25      | 19    | 17.5          | 17    | 19.00         |
| C2F194936BK1   | C2F194936CG1   | 49.06               | 28    | 56.31   | 23    | 36    | 27.25      | 19    | 17.5          | 17    | 22.50         |
| C2F195636BK1   | C2F195636CG1   | 56.06               | 32    | 63.31   | 23    | 36    | 27.25      | 19    | 17.5          | 17    | 26.00         |
| C2F196336BK1   | C2F196336CG1   | 63.06               | 36    | 70.31   | 23    | 36    | 27.25      | 19    | 17.5          | 17    | 29.50         |
| C2F197036BK1   | C2F197036CG1   | 70.06               | 40    | 77.31   | 23    | 36    | 27.25      | 19    | 17.5          | 17    | 33.00         |
| C2F197836BK1   | C2F197836CG1   | 78.81               | 45    | 86.06   | 23    | 36    | 27.25      | 19    | 17.5          | 17    | 37.38         |
| C2F198536BK1   | C2F198536CG1   | 85.81               | 49    | 93.06   | 23    | 36    | 27.25      | 19    | 17.5          | 17    | 40.88         |



# Ordering Guide (C2 Series)

19" Rack Mount

Welded



# Panel Rails (C2 Series)

## TAPPED RAILS

- **SOLD IN PAIRS**
- Drilled and tapped (10-32)
- Heavy duty construction - formed from 10 gauge steel
- Full EIA hole centers (5/8 - 5/8 - 1/2 inch spacing)
- Bolts vertically in cabinet to amhal struts
- Includes strut mounting hardware, panel mounting hardware available on page 119
- Zinc plated finish
- Front of rail allows for 19" panel rack mounting
- Rear of rail flange for rear equipment support or accessory mounting



| Part Number<br>(Sold in Pairs) | Panel Height |       |
|--------------------------------|--------------|-------|
|                                | Inches       | Units |
| CCR35TZPL                      | 35.00        | 20    |
| CCR42TZPL                      | 42.00        | 24    |
| CCR49TZPL                      | 49.00        | 28    |
| CCR56TZPL                      | 56.00        | 32    |
| CCR63TZPL                      | 63.00        | 36    |
| CCR70TZPL                      | 70.00        | 40    |
| CCR78TZPL                      | 78.75        | 45    |
| CCR85TZPL                      | 85.75        | 49    |

## SQUARE HOLE RAILS

- **SOLD IN PAIRS**
- Square hole punched - allowing choice of hardware for 10-32 or 12-24 or M6 thread cage nuts)
- Includes a starter quantity (25) of 10-32 cage nuts
- Heavy duty construction - formed from 12 gauge steel
- Full EIA hole centers (5/8 - 5/8 - 1/2 inch spacing)
- Bolts vertically in cabinet to amhal struts
- Includes strut mounting hardware, panel mounting hardware available on page 119
- Zinc plated finish
- Front of rail allows for 19" panel rack mounting
- Rear "L" of rail for rear equipment support or accessory mounting



19" Rack Mount

| Part Number<br>(Sold in Pairs) | Panel Height |       |
|--------------------------------|--------------|-------|
|                                | Inches       | Units |
| CPR35SZPL                      | 35.00        | 20    |
| CPR42SZPL                      | 42.00        | 24    |
| CPR49SZPL                      | 49.00        | 28    |
| CPR56SZPL                      | 56.00        | 32    |
| CPR63SZPL                      | 63.00        | 36    |
| CPR70SZPL                      | 70.00        | 40    |
| CPR78SZPL                      | 78.75        | 45    |
| CPR85SZPL                      | 85.75        | 49    |

Welded



Cage Nut  
Installation Tool

- Allows for easy installation of cage nuts in square rail hole
- Spring steel tool
- Part Number **RCNIT**



Additional Cage Nuts

| Part Number | Qty. Per Package | Thread |
|-------------|------------------|--------|
| 1421CNA25   | 25               | 10-32  |
| 1421CNA100  | 100              | 10-32  |
| 1421CNC25   | 25               | 12-24  |
| 1421CNC100  | 100              | 12-24  |
| 1421CNB25   | 25               | M6     |
| 1421CNB100  | 100              | M6     |



Hammond Manufacturing Co. Ltd.  
394 Edinburgh Rd. North  
Guelph, Ontario N1H 1E5 CANADA  
© Phone: 519-822-2960 Fax: 519-822-0715



Hammond Manufacturing Co. Inc.  
256 Sonwil Dr.  
Cheektowaga, NY 14225 USA  
Phone: 716-651-0086 Fax: 716-651-0726

# Side Panels (C2 Series)

## SIDE PANELS



### FEATURES

- Sold in pairs
- Constructed of 16 gauge steel
- Panels fit flush with frame
- Designed for easy removal and installation
- Features quick release 1/4 turn cam fasteners (4 per side) with internal latching provision
- Two pins on the bottom of the frame allow for easy alignment & installation
- Finished in a rugged textured powder paint

### 23.63" Deep

| Part Number                |                            | Depth (Inches) | Panel Height |       |
|----------------------------|----------------------------|----------------|--------------|-------|
| Black Textured             | Beige Textured             |                | Inches       | Units |
| <a href="#">CSP3523BK1</a> | <a href="#">CSP3523CG1</a> | 23.63          | 35.00        | 20    |
| <a href="#">CSP4223BK1</a> | <a href="#">CSP4223CG1</a> | 23.63          | 42.00        | 24    |
| <a href="#">CSP4923BK1</a> | <a href="#">CSP4923CG1</a> | 23.63          | 49.00        | 28    |
| <a href="#">CSP5623BK1</a> | <a href="#">CSP5623CG1</a> | 23.63          | 56.00        | 32    |
| <a href="#">CSP6323BK1</a> | <a href="#">CSP6323CG1</a> | 23.63          | 63.00        | 36    |
| <a href="#">CSP7023BK1</a> | <a href="#">CSP7023CG1</a> | 23.63          | 70.00        | 40    |
| <a href="#">CSP7823BK1</a> | <a href="#">CSP7823CG1</a> | 23.63          | 78.75        | 45    |
| <a href="#">CSP8523BK1</a> | <a href="#">CSP8523CG1</a> | 23.63          | 85.75        | 49    |

### 31.5" Deep

| Part Number                |                            | Depth (Inches) | Panel Height |       |
|----------------------------|----------------------------|----------------|--------------|-------|
| Black Textured             | Beige Textured             |                | Inches       | Units |
| <a href="#">CSP3531BK1</a> | <a href="#">CSP3531CG1</a> | 31.50          | 35.00        | 20    |
| <a href="#">CSP4231BK1</a> | <a href="#">CSP4231CG1</a> | 31.50          | 42.00        | 24    |
| <a href="#">CSP4931BK1</a> | <a href="#">CSP4931CG1</a> | 31.50          | 49.00        | 28    |
| <a href="#">CSP5631BK1</a> | <a href="#">CSP5631CG1</a> | 31.50          | 56.00        | 32    |
| <a href="#">CSP6331BK1</a> | <a href="#">CSP6331CG1</a> | 31.50          | 63.00        | 36    |
| <a href="#">CSP7031BK1</a> | <a href="#">CSP7031CG1</a> | 31.50          | 70.00        | 40    |
| <a href="#">CSP7831BK1</a> | <a href="#">CSP7831CG1</a> | 31.50          | 78.75        | 45    |
| <a href="#">CSP8531BK1</a> | <a href="#">CSP8531CG1</a> | 31.50          | 85.75        | 49    |

### 36" Deep

| Part Number                |                            | Depth (Inches) | Panel Height |       |
|----------------------------|----------------------------|----------------|--------------|-------|
| Black Textured             | Beige Textured             |                | Inches       | Units |
| <a href="#">CSP3536BK1</a> | <a href="#">CSP3536CG1</a> | 36.00          | 35.00        | 20    |
| <a href="#">CSP4236BK1</a> | <a href="#">CSP4236CG1</a> | 36.00          | 42.00        | 24    |
| <a href="#">CSP4936BK1</a> | <a href="#">CSP4936CG1</a> | 36.00          | 49.00        | 28    |
| <a href="#">CSP5636BK1</a> | <a href="#">CSP5636CG1</a> | 36.00          | 56.00        | 32    |
| <a href="#">CSP6336BK1</a> | <a href="#">CSP6336CG1</a> | 36.00          | 63.00        | 36    |
| <a href="#">CSP7036BK1</a> | <a href="#">CSP7036CG1</a> | 36.00          | 70.00        | 40    |
| <a href="#">CSP7836BK1</a> | <a href="#">CSP7836CG1</a> | 36.00          | 78.75        | 45    |
| <a href="#">CSP8536BK1</a> | <a href="#">CSP8536CG1</a> | 36.00          | 85.75        | 49    |

## SIDE PANEL LOCKS



- For higher security, the quarter turn fasteners on the side panels can be replaced with this key locking version
- Order part number [CSPQTRL](#)
- Kit contains 4 quarter turn locks and 8 keys.
- Good for 1 rack (ie...2 locks per side panel)

19" Rack Mount

Welded

## LIGHT DUTY CASTERS

- **Light Duty** - 360 lbs. Mfg.'s specified weight capacity (Set of 4)
- Features ball bearing swivel and hard composition wheels
- Standard 3" x 1.75" hole mounting pattern - no drilling required
- Adds only 0.75" to height of cabinet by fitting up inside base of rack
- Wheels are black & 3" wheel diameter
- Includes mounting hardware
- **SOLD IN A SET OF 4**
- Part Number **1425B**



## MEDIUM DUTY CASTERS

- **Medium Duty** - 700 lbs. Mfg.'s specified weight capacity (Set of 4)
- Features ball bearing swivel and hard composition wheels
- Standard 3" x 1.75" hole mounting pattern
- Adds only 0.75" to height of cabinet by fitting up inside base of rack
- Wheels are black & 3" wheel diameter
- Includes mounting hardware
- **SOLD IN A SET OF 4**
- Part Number **1425BM**



## HEAVY DUTY CASTERS

- **Heavy Duty** - 1,050 lbs. Mfg.'s specified weight capacity (Set of 4)
- Features ball bearing swivel and hard composition wheels
- Standard 3" x 1.75" hole mounting pattern
- Adds only 0.75" to height of cabinet by fitting up inside base of rack
- Wheels are blue & 3" wheel diameter
- Includes mounting hardware
- **SOLD IN A SET OF 4**
- Part Number **1425BH**



## LOCKING CASTERS

- These are exterior mount casters that mount outside of rack frame perimeter to allow foot access of locking pedals
- **Medium Duty** - 560 lbs. Mfg.'s specified weight capacity (Set of 4)
- Available in either locking or non-locking format
- Sold in **pairs** allowing for mix of locking and nonlocking on same cabinet
- 3.5" diameter wheels add 4.88" to cabinet height
- No drilling required as casters fit into built-in caster mounts
- Part Number **CCSTL** for a PAIR of locking casters
- Part Number **CCSTN** for a PAIR of non-locking casters



19" Rack Mount

Welded



Hammond Manufacturing Co. Ltd.  
394 Edinburgh Rd. North  
Guelph, Ontario N1H 1E5 CANADA  
© Phone: 519-822-2960 Fax: 519-822-0715



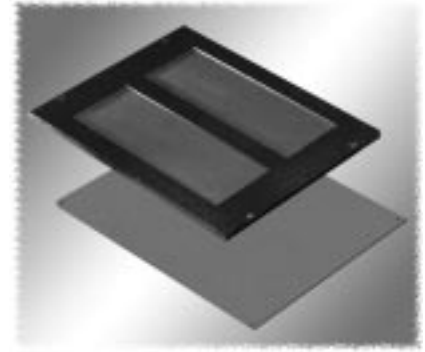
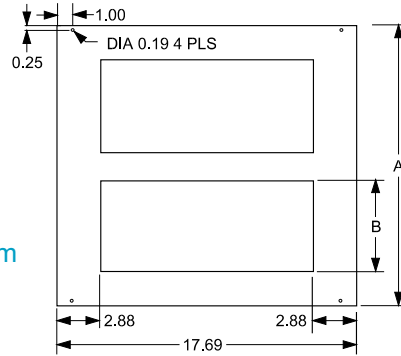
Hammond Manufacturing Co. Inc.  
256 Sonwil Dr.  
Cheektowaga, NY 14225 USA  
Phone: 716-651-0086 Fax: 716-651-0726

# Bottom Options (C2 Series)

## FRAME BOTTOMS

- 14 gauge steel construction
- Micro Cell Cable Entry Bottom features 2 cutouts for cable access. Under side of cutouts covered with black foam rubber which, when punctured for cable access, still maintains a virtually sealed bottom
- Mounting hardware included

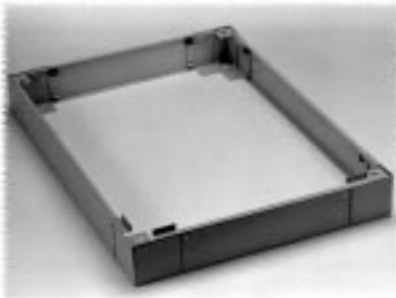
Micro Cell Cable Entry Bottom



Micro Cell Cable Entry or Solid Steel (pictured top to bottom)

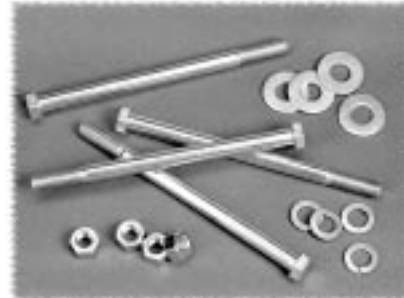
| Part Number                   |                               | Type        | Dimensions (Inches) |      |     |                |
|-------------------------------|-------------------------------|-------------|---------------------|------|-----|----------------|
| Black Textured                | Beige Textured                |             | Panel Width         | A    | B   | Rack Depth     |
| <a href="#">C2BPS1923BK1</a>  | <a href="#">C2BPS1923CG1</a>  | Solid       | 19                  | 11.5 | -   | 23.63          |
| <a href="#">C2BPS1931BK1</a>  | <a href="#">C2BPS1931CG1</a>  | Solid       | 19                  | 18.5 | -   | 31.50 or 36.00 |
| <a href="#">C2BPCE1923BK1</a> | <a href="#">C2BPCE1923CG1</a> | Cable Entry | 19                  | 11.5 | 3.5 | 23.63          |
| <a href="#">C2BPCE1931BK1</a> | <a href="#">C2BPCE1931CG1</a> | Cable Entry | 19                  | 18.5 | 6.0 | 31.50 or 36.00 |

## PLINTH



- Adds 4" to overall rack height
- 14 gauge steel construction
- Features 4 corner units and 4 removable fill panels
- By removing both front & rear panels, easy access to bottom cabling and forklift lifting/transport are achieved
- Not compatible with levelling feet or casters

## BOLT DOWN KIT



- Fixes rack to floor
- Kit includes set of four - 3/8" x 5 1/2" bolts with flat washers and nuts
- Can be used with or without plinths
- Part Number: **CBDK4**

| Part Number                 |                             | Panel Width | Use with Frame Depth |
|-----------------------------|-----------------------------|-------------|----------------------|
| Black Textured              | Beige Textured              |             |                      |
| <a href="#">CPL19423BK1</a> | <a href="#">CPL19423CG1</a> | 19"         | 23.63"               |
| <a href="#">CPL19431BK1</a> | <a href="#">CPL19431CG1</a> | 19"         | 31.50"               |
| <a href="#">CPL19436BK1</a> | <a href="#">CPL19436CG1</a> | 19"         | 36.00"               |

19" Rack Mount

Welded



## SOLID TOP

- 14 gauge steel construction
- Supplied with mounting hardware
- Should be used on all racks where protection from dust or falling objects is required

| Part Number    |                | Panel Width | Rack Depth |
|----------------|----------------|-------------|------------|
| Black Textured | Beige Textured |             |            |
| C2T1923SBK1    | C2T1923SCG1    | 19          | 23.63      |
| C2T1931SBK1    | C2T1931SCG1    | 19          | 31.50      |
| C2T1936SBK1    | C2T1936SCG1    | 19          | 36.00      |

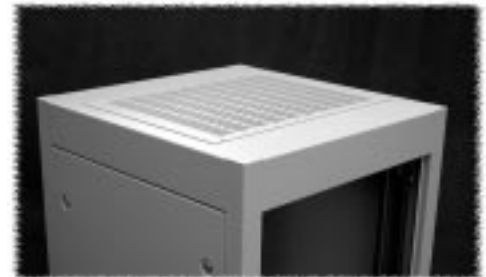


## VENTED TOP

- 14 gauge steel construction
- Supplied with mounting hardware
- Provides a practical and economical solution to convection cooling requirements
- Available either with or without 3.5" cable access holes and covers

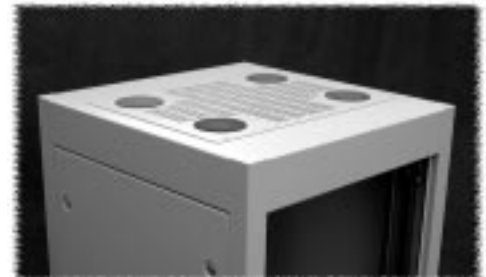
### Without Cable Access Holes

| Part Number    |                | Panel Width | Rack Depth |
|----------------|----------------|-------------|------------|
| Black Textured | Beige Textured |             |            |
| C2T1923VBK1    | C2T1923VCG1    | 19          | 23.63      |
| C2T1931VBK1    | C2T1931VCG1    | 19          | 31.50      |
| C2T1936VBK1    | C2T1936VCG1    | 19          | 36.00      |



### With 3.5" Cable Access Holes & Covers

| Part Number    |                | Panel Width | Rack Depth |
|----------------|----------------|-------------|------------|
| Black Textured | Beige Textured |             |            |
| C2T1923VCEBK1  | C2T1923VCECG1  | 19          | 23.63      |
| C2T1931VCEBK1  | C2T1931VCECG1  | 19          | 31.50      |
| C2T1936VCEBK1  | C2T1936VCECG1  | 19          | 36.00      |



## RAISED VENT TOP

- 14 gauge steel construction
- Supplied with mounting hardware
- Simple up or down adjustment permits either raised installation for venting or flush mounting for smooth decorative look
- Allows for protection from falling objects or liquids
- When raised, permits convection cooling as gap between top & frame allows warm air to escape on all four sides

| Part Number    |                | Panel Width | Rack Depth |
|----------------|----------------|-------------|------------|
| Black Textured | Beige Textured |             |            |
| C2T1923RBK1    | C2T1923RCG1    | 19          | 23.63      |
| C2T1931RBK1    | C2T1931RCG1    | 19          | 31.50      |
| C2T1936RBK1    | C2T1936RCG1    | 19          | 36.00      |



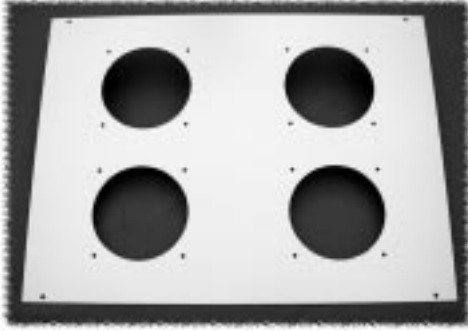
19" Rack Mount

Welded



# Fan Tops (C2 Series)

## 4.7" FAN TOP PANEL



- 14 gauge steel construction
- 4.7" fan top panel - fans not included (see next page)
- Quantity 4 or 6 openings depending on depth of rack
- Maximum flexibility - add fans, leave holes open (for cable access) or use covers (see next page)

| Part Number    |                | Panel Width | Rack Depth | Fan Holes |
|----------------|----------------|-------------|------------|-----------|
| Black Textured | Beige Textured |             |            |           |
| C2T1923FBK1    | C2T1923FCG1    | 19          | 23.63      | 4         |
| C2T1931FBK1    | C2T1931FCG1    | 19          | 31.50      | 6         |
| C2T1936FBK1    | C2T1936FCG1    | 19          | 36.00      | 6         |

## PRE-WIRED 4.7" EXHAUST FAN TOP



- Includes a quantity of 4 - long life, ball bearing, 4.7", 115 volt, 50/60 Hz. AC, 100 CFM fans (230 VAC fan tops available on special order)
- Available with or without thermostat
- Finger guards are punched into top panel and bottom of fan top
- Fans are pre-wired, installed and complete with 3 foot cord & plug

| Part Number    |                | Panel Width | Rack Depth | Thermostat |
|----------------|----------------|-------------|------------|------------|
| Black Textured | Beige Textured |             |            |            |
| C2T1923F4BK1   | C2T1923F4CG1   | 19          | 23.63      | No         |
| C2T1931F4BK1   | C2T1931F4CG1   | 19          | 31.50      | No         |
| C2T1936F4BK1   | C2T1936F4CG1   | 19          | 36.00      | No         |
| C2T1923F4TBK1  | C2T1923F4TCG1  | 19          | 23.63      | Yes        |
| C2T1931F4TBK1  | C2T1931F4TCG1  | 19          | 31.50      | Yes        |
| C2T1936F4TBK1  | C2T1936F4TCG1  | 19          | 36.00      | Yes        |

## PRE-WIRED 10" EXHAUST FAN TOP PANEL



Without Cable Access

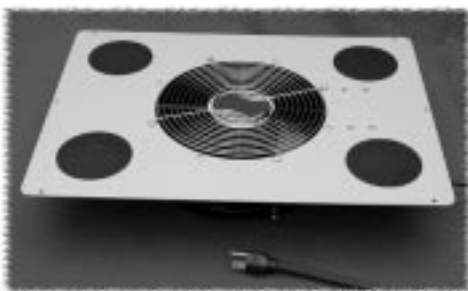
- Includes quantity 1 - 10", 550 CFM, 115 V 50/60 Hz. AC fan 35 watt motor (230 VAC fan tops available on special order)
- Thermal protected motor
- Ball bearing construction, plastic blades (3)
- Diecast aluminum body fan
- Rotation is clockwise (looking down at the rotor - as pictured on the left)
- Airflow exhausts the rack (out the top as pictured on the left)
- C UL & UL recognized
- 5' cord and molded on plug
- Top & bottom finger guards included
- Pre-wired and assembled as shown
- Available either with or without 4 cable access holes (3.5") and covers

### Without Cable Access Holes

| Part Number    |                | Panel Width | Rack Depth |
|----------------|----------------|-------------|------------|
| Black Textured | Beige Textured |             |            |
| C2T1923F10BK1  | C2T1923F10CG1  | 19          | 23.63      |
| C2T1931F10BK1  | C2T1931F10CG1  | 19          | 31.50      |
| C2T1936F10BK1  | C2T1936F10CG1  | 19          | 36.00      |

### With Cable Access 3.5" Holes & Covers

| Part Number     |                 | Panel Width | Rack Depth |
|-----------------|-----------------|-------------|------------|
| Black Textured  | Beige Textured  |             |            |
| C2T1923F10CEBK1 | C2T1923F10CECG1 | 19          | 23.63      |
| C2T1931F10CEBK1 | C2T1931F10CECG1 | 19          | 31.50      |
| C2T1936F10CEBK1 | C2T1936F10CECG1 | 19          | 36.00      |



With Cable Access

19" Rack Mount

Welded

# Fan Top Accessories (C2 Series)

## 4" FANS

- 4.70" (120mm), 1.50" deep - Tubeaxial type
- Choice of either 115 or 230 VAC, 50/60 Hz.
- Impedance protected motor Class-B insulated
- Ball bearing construction, metal blades
- Diecast aluminum body
- Rotation is counter clockwise (looking at the rotor - as pictured)
- Airflow is over the struts (out the back as pictured)
- Male plug terminated (requires fan cords below)
- UL recognized, CSA listed, CE certified
- With mounting hardware



| Part Number                  | Size   |     | VAC | CFM | Wattage | Use With Fan Guard Part Number |
|------------------------------|--------|-----|-----|-----|---------|--------------------------------|
|                              | Inches | mm  |     |     |         |                                |
| <a href="#">DNMF100AC115</a> | 4.70   | 120 | 115 | 105 | 22      | DNFG                           |
| <a href="#">DNMF100AC230</a> | 4.70   | 120 | 230 | 105 | 22      | DNFG                           |

## METAL FAN GUARDS

- Constructed of steel
- For covering unused fan top openings or as 4.7" fan guards
- Hardware included

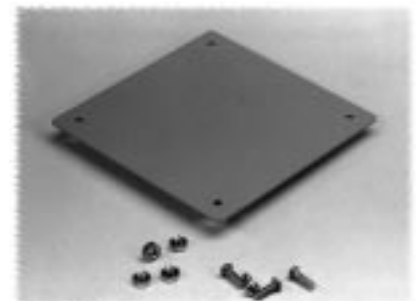
| Part Number          | Color                    | Use with Fan Size |
|----------------------|--------------------------|-------------------|
| <a href="#">DNFG</a> | Wire mesh, nickel plated | 4.7"              |



## 4.7" FAN HOLE COVER

- Constructed of 14 gauge steel
- For covering unused fan top openings on 4.7" fan tops
- Hardware included

| Part Number             | Color      | Paint Finish |
|-------------------------|------------|--------------|
| <a href="#">DNFPBK1</a> | Black      | Textured     |
| <a href="#">DNFPCG1</a> | Grey-Beige | Textured     |



## FAN CORD

- For 115 VAC wiring
- Standard molded female fan plug (0.91" x 0.68")

| Part Number              | Description     | Lead Length | Fan Connector                | 115VAC Plug |
|--------------------------|-----------------|-------------|------------------------------|-------------|
| <a href="#">DNMFC</a>    | Single Fan Cord | 24"         | Straight                     | No          |
| <a href="#">DNFC48P</a>  | Single Fan Cord | 48"         | 45 degree                    | Yes         |
| <a href="#">DNFC72P</a>  | Single Fan Cord | 72"         | 45 degree                    | Yes         |
| <a href="#">DNFCDC2P</a> | Daisy Chain     | 24"         | Qty. 2- 45 degree, 24" apart | Yes         |
| <a href="#">DNFCDC3P</a> | Daisy Chain     | 24"         | Qty 3 - 45 degree, 24" apart | Yes         |



19" Rack Mount

Welded



Hammond Manufacturing Co. Ltd.  
394 Edinburgh Rd. North  
Guelph, Ontario N1H 1E5 CANADA  
© Phone: 519-822-2960 Fax: 519-822-0715



Hammond Manufacturing Co. Inc.  
256 Sonwil Dr.  
Cheektowaga, NY 14225 USA  
Phone: 716-651-0086 Fax: 716-651-0726

# Doors (C2 Series)

## SOLID DOOR



- Flush mount
- Heavy duty 16 gauge steel construction with sturdy door stiffeners welded on
- Reversible right or left opening (by inverting door)
- Features lockable latch, magnetic catch and spring loaded hinge pins for instant installation or removal
- Allows full access to space between panel rails when open
- Paint matches rack in the same rugged textured baked enamel finish

| Part Number                 |                             | Panel Height |       | Use With<br>19" Frame<br>Part Number |
|-----------------------------|-----------------------------|--------------|-------|--------------------------------------|
| Black Textured              | Beige Textured              | Inches       | Units |                                      |
| <a href="#">CDF1935SBK1</a> | <a href="#">CDF1935SCG1</a> | 35.00        | 20    | C2F1935                              |
| <a href="#">CDF1942SBK1</a> | <a href="#">CDF1942SCG1</a> | 42.00        | 24    | C2F1942                              |
| <a href="#">CDF1949SBK1</a> | <a href="#">CDF1949SCG1</a> | 49.00        | 28    | C2F1949                              |
| <a href="#">CDF1956SBK1</a> | <a href="#">CDF1956SCG1</a> | 56.00        | 32    | C2F1956                              |
| <a href="#">CDF1963SBK1</a> | <a href="#">CDF1963SCG1</a> | 63.00        | 36    | C2F1963                              |
| <a href="#">CDF1970SBK1</a> | <a href="#">CDF1970SCG1</a> | 70.00        | 40    | C2F1970                              |
| <a href="#">CDF1978SBK1</a> | <a href="#">CDF1978SCG1</a> | 78.75        | 45    | C2F1978                              |
| <a href="#">CDF1985SBK1</a> | <a href="#">CDF1985SCG1</a> | 85.75        | 49    | C2F1985                              |

## LOUVERED DOOR



- Flush mount
- Heavy duty 16 gauge steel construction with sturdy door stiffeners welded on
- Opens right hand only with louvers facing down
- Features lockable latch, magnetic catch and spring loaded hinge pins for instant installation or removal
- Allows full access to space between panel rails when open
- Paint matches rack in the same rugged textured baked enamel finish

| Part Number                 |                             | Panel Height |       | Use With<br>19" Frame<br>Part Number |
|-----------------------------|-----------------------------|--------------|-------|--------------------------------------|
| Black Textured              | Beige Textured              | Inches       | Units |                                      |
| <a href="#">CDF1935LBK1</a> | <a href="#">CDF1935LCG1</a> | 35.00        | 20    | C2F1935                              |
| <a href="#">CDF1942LBK1</a> | <a href="#">CDF1942LCG1</a> | 42.00        | 24    | C2F1942                              |
| <a href="#">CDF1949LBK1</a> | <a href="#">CDF1949LCG1</a> | 49.00        | 28    | C2F1949                              |
| <a href="#">CDF1956LBK1</a> | <a href="#">CDF1956LCG1</a> | 56.00        | 32    | C2F1956                              |
| <a href="#">CDF1963LBK1</a> | <a href="#">CDF1963LCG1</a> | 63.00        | 36    | C2F1963                              |
| <a href="#">CDF1970LBK1</a> | <a href="#">CDF1970LCG1</a> | 70.00        | 40    | C2F1970                              |
| <a href="#">CDF1978LBK1</a> | <a href="#">CDF1978LCG1</a> | 78.75        | 45    | C2F1978                              |
| <a href="#">CDF1985LBK1</a> | <a href="#">CDF1985LCG1</a> | 85.75        | 49    | C2F1985                              |

## PLEXI DOOR



- Flush mount
- 16 gauge steel door frame with smoked plexi glass insert
- Reversible right or left opening (by inverting door)
- Features lockable latch, magnetic catch and spring loaded hinge pins for instant installation or removal
- Allows full access to space between panel rails when open
- Frame painted with rugged textured black powder paint

| Part Number                  | Panel Height      |        | Use With<br>19" Frame<br>Part Number |
|------------------------------|-------------------|--------|--------------------------------------|
|                              | Black Flush Plexi | Inches |                                      |
| <a href="#">C2DF1935PBK1</a> | 35.00             | 20     | C2F1935                              |
| <a href="#">C2DF1942PBK1</a> | 42.00             | 24     | C2F1942                              |
| <a href="#">C2DF1949PBK1</a> | 49.00             | 28     | C2F1949                              |
| <a href="#">C2DF1956PBK1</a> | 56.00             | 32     | C2F1956                              |
| <a href="#">C2DF1963PBK1</a> | 63.00             | 36     | C2F1963                              |
| <a href="#">C2DF1970PBK1</a> | 70.00             | 40     | C2F1970                              |
| <a href="#">C2DF1978PBK1</a> | 78.75             | 45     | C2F1978                              |
| <a href="#">C2DF1985PBK1</a> | 85.75             | 49     | C2F1985                              |

19" Rack Mount

Welded

## PERFORATED DOOR

- Flush mount
- Provides maximum ventilation while maintaining security
- Heavy Duty 16 gauge steel construction with perforated steel inserts
- Reversible right or left opening (by inverting door)
- Features lockable latch, magnetic catch and spring loaded hinge pins for instant installation or removal
- Allows full access to space between panel rails when open
- Paint matches "C2" type rack frame in the same rugged textured powder paint finish.



| Part Number                 |                             | Panel Height |       | Use With<br>19" Frame<br>Part Number |
|-----------------------------|-----------------------------|--------------|-------|--------------------------------------|
| Black Textured              | Beige Textured              | Inches       | Units |                                      |
| <a href="#">CDF1970VBK1</a> | <a href="#">CDF1970VCG1</a> | 70.00        | 40    | C2F1970                              |
| <a href="#">CDF1978VBK1</a> | <a href="#">CDF1978VCG1</a> | 78.00        | 45    | C2F1978                              |

## VENTILATED PLEXI DOOR

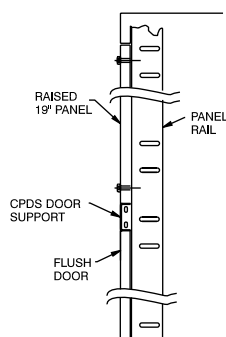
- Flush mount
- Provides airflow through cabinet and excellent equipment visibility
- 16 gauge steel door frame (ventilated) with smoked plexi glass insert
- Reversible right or left opening (by inverting door)
- Features lockable latch, magnetic catch and spring loaded hinge pins for instant installation or removal
- Allows full access to space between panel rails when open
- Complete with keyed lock and magnet strip for closure
- Frame is painted with a rugged textured black powder paint finish.



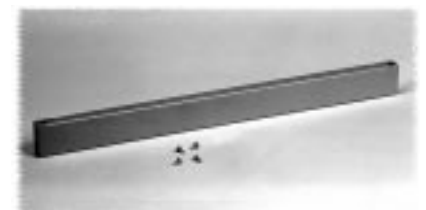
| Part Number                  |                              | Panel Height |       | Use With<br>19" Frame<br>Part Number |
|------------------------------|------------------------------|--------------|-------|--------------------------------------|
| Black Textured               | Beige Textured               | Inches       | Units |                                      |
| <a href="#">CDF1970VPBK1</a> | <a href="#">CDF1970VPCG1</a> | 70.00        | 40    | C2F1970                              |
| <a href="#">CDF1978VPBK1</a> | <a href="#">CDF1978VPCG1</a> | 78.00        | 45    | C2F1978                              |

19" Rack Mount

## PARTIAL HEIGHT DOOR SUPPORT



- Allows partial height door installation (used when blowers are installed in bottom of rack)
- Requires drilling of rack frame
- Occupies 1.75" (1U) of panel height
- Door support is 0.75" deep



| Part Number               |                           | For<br>Panel<br>Width |
|---------------------------|---------------------------|-----------------------|
| Black Textured            | Beige Textured            |                       |
| <a href="#">CPDS19BK1</a> | <a href="#">CPDS19CG1</a> | 19"                   |

Welded

# Exclusive Accessories (C2 Series)

## GANGING KIT



- Complete hardware kit allowing two racks to be ganged at six points along vertical frame side.
- Part Number **CGH01**

## EXTRA LEVELLING FEET



- Contempra racks all **INCLUDE** 4 nylon base levelling feet
- Set of 4
- Four levelling feet will support a maximum of 800 lbs.
- Part Number **CLFK** for standard nylon base
- Part Number **CLFKNS** for nonskid rubber base

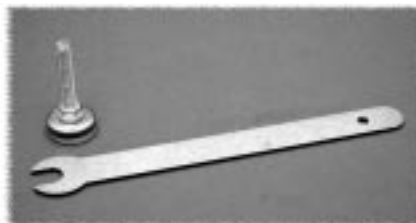
## GROUND BUS BARS



| Part Number  | Use With Rack Part Number |
|--------------|---------------------------|
| <b>CBB35</b> | C2F1935                   |
| <b>CBB42</b> | C2F1942                   |
| <b>CBB49</b> | C2F1949                   |
| <b>CBB56</b> | C2F1956                   |
| <b>CBB63</b> | C2F1963                   |
| <b>CBB70</b> | C2F1970                   |
| <b>CBB78</b> | C2F1978                   |
| <b>CBB85</b> | C2F1985                   |

- Full length copper strip 0.13" x 0.63"
- Includes hardware for mounting on rack frame side struts

## LEVELLING FOOT WRENCH



- Laser cut flat steel wrench
- Designed for easy levelling under frame
- Part Number **RFLW**

## DESK UNIT



- Constructed of beige laminate and 14 gauge steel support channels
- Ideal for writing surface, keyboard or instrument mounting requirements
- Mounts onto rails, but is notched on both sides for flush fit with cabinet sides.
- Part Number **CW19CG4**

## TRIM KIT



- Extruded aluminum dress kit with black inlay (ideal for custom identification)
- Attaches with strong adhesive requiring no drilling or hardware
- Compatible with flush doors only
- Part Number **C2ID19**

## BLOWER ADAPTER KIT



- This blower mounting kit mounts flush with both the rack frame face and any flush door
- Allows use of 5.25" (3U) blowers
- Also used for cable access where large bundles of wires are used

| Part Number       |                   | For Use with Flush Door Part Number | For Panel Height |       |
|-------------------|-------------------|-------------------------------------|------------------|-------|
| Black Textured    | Beige Textured    |                                     | Inches           | Units |
| <b>CBA1975BK1</b> | <b>CBA1975CG1</b> | CDF1935 or C2DF1935                 | 42.00            | 24    |
| <b>CBA1975BK1</b> | <b>CBA1975CG1</b> | CDF1942 or C2DF1942                 | 49.00            | 28    |
| <b>CBA1975BK1</b> | <b>CBA1975CG1</b> | CDF1949 or C2DF1949                 | 56.00            | 32    |
| <b>CBA1975BK1</b> | <b>CBA1975CG1</b> | CDF1956 or C2DF1956                 | 63.00            | 36    |
| <b>CBA1975BK1</b> | <b>CBA1975CG1</b> | CDF1963 or C2DF1963                 | 70.00            | 40    |
| <b>CBA1985BK1</b> | <b>CBA1985CG1</b> | CDF1970 or C2DF1970                 | 78.75            | 45    |

19" Rack Mount

Welded