



Chipsmall Limited consists of a professional team with an average of over 10 year of expertise in the distribution of electronic components. Based in Hongkong, we have already established firm and mutual-benefit business relationships with customers from,Europe,America and south Asia,supplying obsolete and hard-to-find components to meet their specific needs.

With the principle of "Quality Parts,Customers Priority,Honest Operation,and Considerate Service",our business mainly focus on the distribution of electronic components. Line cards we deal with include Microchip,ALPS,ROHM,Xilinx,Pulse,ON,Everlight and Freescale. Main products comprise IC,Modules,Potentiometer,IC Socket,Relay,Connector.Our parts cover such applications as commercial,industrial, and automotives areas.

We are looking forward to setting up business relationship with you and hope to provide you with the best service and solution. Let us make a better world for our industry!



## Contact us

Tel: +86-755-8981 8866 Fax: +86-755-8427 6832

Email & Skype: info@chipsmall.com Web: www.chipsmall.com

Address: A1208, Overseas Decoration Building, #122 Zhenhua RD., Futian, Shenzhen, China



5

4

3

2

1

D

D

C

C

B

B

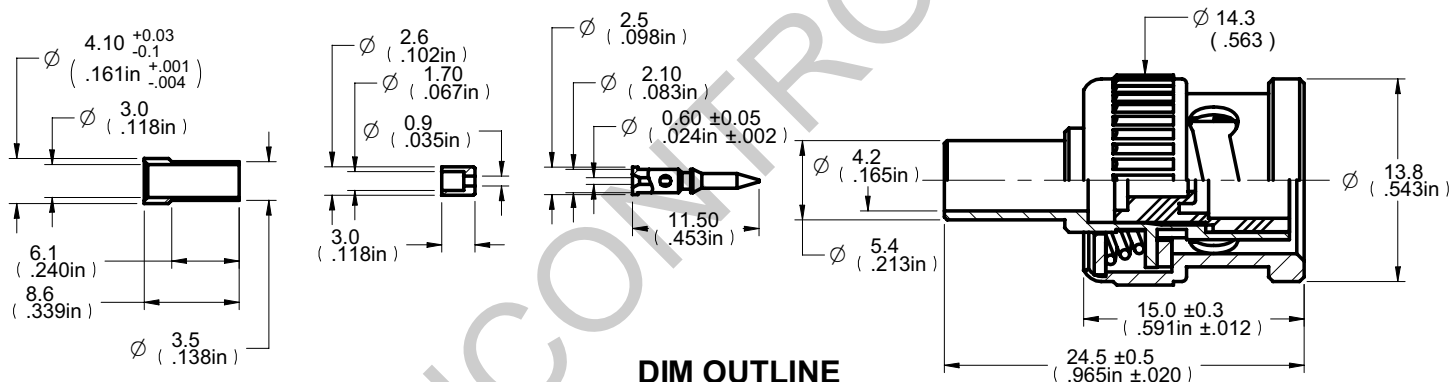
A

A



Description: BNC 3-Piece Crimp Plug, 50 Ohm, RG174, 188, 316  
 Part No: CPM8819  
 Application: For Cable RG174, 188, 316  
 Crimp Tool: 24-9912P  
 Impedance: 50 Ohms  
 Frequency Range: 0-4 GHz  
 Material: Body Zinc Nickel Plated  
 Contact Brass Gold Plated  
 Insulator Pom  
 Crimp Sleeve Brass Nickel Plated  
 Coupling Nut Zinc Nickel Plated  
 RoHS Compliance: Yes  
 Technical Detail: Refer to Emerson Document P/N 27-0000

DRAWING NO. <b>CPM8819-CUST</b>	
<b>REVISIONS</b>	
01	OFFICIAL RELEASE
03-05-09	Z G B T
02	FIGURE OF CONTACT AND CRIMP SLEEVE ARE DIFFERENT WITH BEFORE; BODY MATERIAL: WAS: BRASS; IS: ZINC. INSULATOR MATERIAL: WAS: TEFLON; IS: POM.
03-04-11	J J D
ECO-11-0034	



**CUSTOMER COPY**

受控 CONTROLLED DOCUMENT					
编号 P/N	CPM8819-CUST	版本 Rev	02	日期 Rel'd Date	Jul11,11

TOLERANCE UNLESS OTHERWISE SPECIFIED	DRAWN BY <b>JEAN.JIN</b>	DATE 03-04-11
DECIMALS	CHECKED BY <b>JEAN.JIN</b>	DATE 03-04-11
X ± 0.5	APPROVED BY <b>DONALD</b>	DATE 03-04-11
X.X ± 0.15	U/M	mm
X.XX ± 0.1		
ANGLES	± 0.5°	



TITLE  
**BNC 3-Piece Crimp Plug, 50 Ohm, RG174, 188, 316**

THIS DRAWING WAS PRODUCED BY COMPUTER,  
 DO NOT SCALE DRAWING OR UPDATE MANUALLY.

SHEET 1 OF 1	DRAWING NO. <b>CPM8819-CUST</b>	SIZE <b>A</b>
-----------------	------------------------------------	------------------

5

4

3

2

1

SOLID EDGE RESELLER CO.