



Chipsmall Limited consists of a professional team with an average of over 10 year of expertise in the distribution of electronic components. Based in Hongkong, we have already established firm and mutual-benefit business relationships with customers from,Europe,America and south Asia,supplying obsolete and hard-to-find components to meet their specific needs.

With the principle of “Quality Parts,Customers Priority,Honest Operation,and Considerate Service”,our business mainly focus on the distribution of electronic components. Line cards we deal with include Microchip,ALPS,ROHM,Xilinx,Pulse,ON,Everlight and Freescale. Main products comprise IC,Modules,Potentiometer,IC Socket,Relay,Connector.Our parts cover such applications as commercial,industrial, and automotives areas.

We are looking forward to setting up business relationship with you and hope to provide you with the best service and solution. Let us make a better world for our industry!



## Contact us

Tel: +86-755-8981 8866 Fax: +86-755-8427 6832

Email & Skype: info@chipsmall.com Web: www.chipsmall.com

Address: A1208, Overseas Decoration Building, #122 Zhenhua RD., Futian, Shenzhen, China



5

4

3

2

1

D

D

C

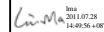
C

B

B

A

A

DRAWING NO. CPM8820-CUST	
REVISIONS	
OFFICAL RELEASE	
01	08-17-09 J J T T
RELEASE FOR SUPPLIER ALTER	
02	07-27-11 Y G Y G M L 



Description: BNC 3pc for RG179 \*

Part No: CPM8820

Application: For RG179,187 Cable

Crimp Tool: 24-9912P

Impedance: 50 Ohms

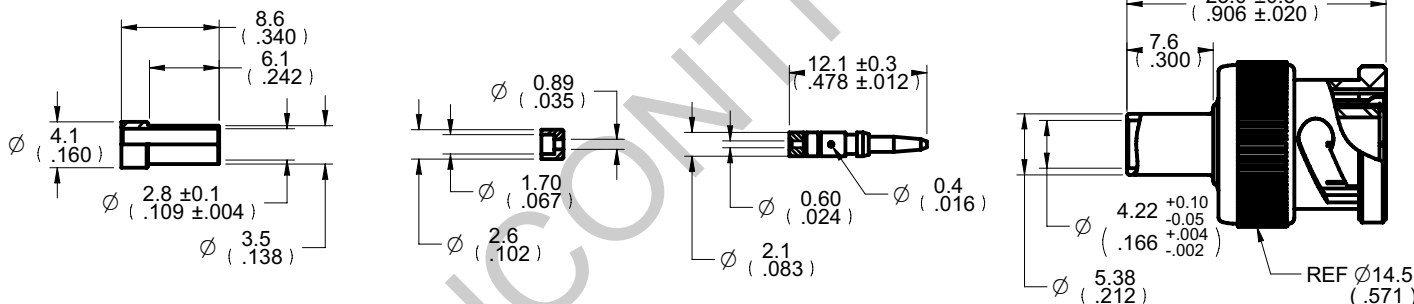
Frequency Range: 0-4 GHz

Material:

Body	Brass Nickel plated
Contact	Brass Gold plated
Insulator	Teflon
Bush	Brass Nickel plated
Coupling nut	Zinc Nickel plated
Insulator	Hidensity Poly

RoHS Compliance: Yes

Technical Detail: Refer to Emerson Document P/N 27-0000



**DIM OUTLINE**

**CUSTOMER COPY**

受控 CONTROLLED DOCUMENT					
编号 P/N	CPM8820-CUST	版本 Rev	02	日期 Rel'd Date	Aug4,11

TOLERANCE UNLESS OTHERWISE SPECIFIED		DRAWN BY	DATE
DECIMALS		YUGE HU	07-27-11
X	± 0.5	CHECKED BY	DATE
X.X	± 0.2	YUGE HU	07-27-11
X.XX	± 0.1	APPROVED BY	DATE
ANGLES	± 0.5°	LIN MA	07-27-11
		U/M	mm



TITLE  
**BNC 3-Piece Crimp, 50 Ohm, RG179, RG187**

THIS DRAWING WAS PRODUCED BY COMPUTER, DO NOT SCALE DRAWING OR UPDATE MANUALLY.

SHEET	DRAWING NO.	SIZE
1 OF 1	CPM8820-CUST	A

5

4

3

2

1