



Chipsmall Limited consists of a professional team with an average of over 10 year of expertise in the distribution of electronic components. Based in Hongkong, we have already established firm and mutual-benefit business relationships with customers from,Europe,America and south Asia,supplying obsolete and hard-to-find components to meet their specific needs.

With the principle of “Quality Parts,Customers Priority,Honest Operation,and Considerate Service”,our business mainly focus on the distribution of electronic components. Line cards we deal with include Microchip,ALPS,ROHM,Xilinx,Pulse,ON,Everlight and Freescale. Main products comprise IC,Modules,Potentiometer,IC Socket,Relay,Connector.Our parts cover such applications as commercial,industrial, and automotives areas.

We are looking forward to setting up business relationship with you and hope to provide you with the best service and solution. Let us make a better world for our industry!



Contact us

Tel: +86-755-8981 8866 Fax: +86-755-8427 6832

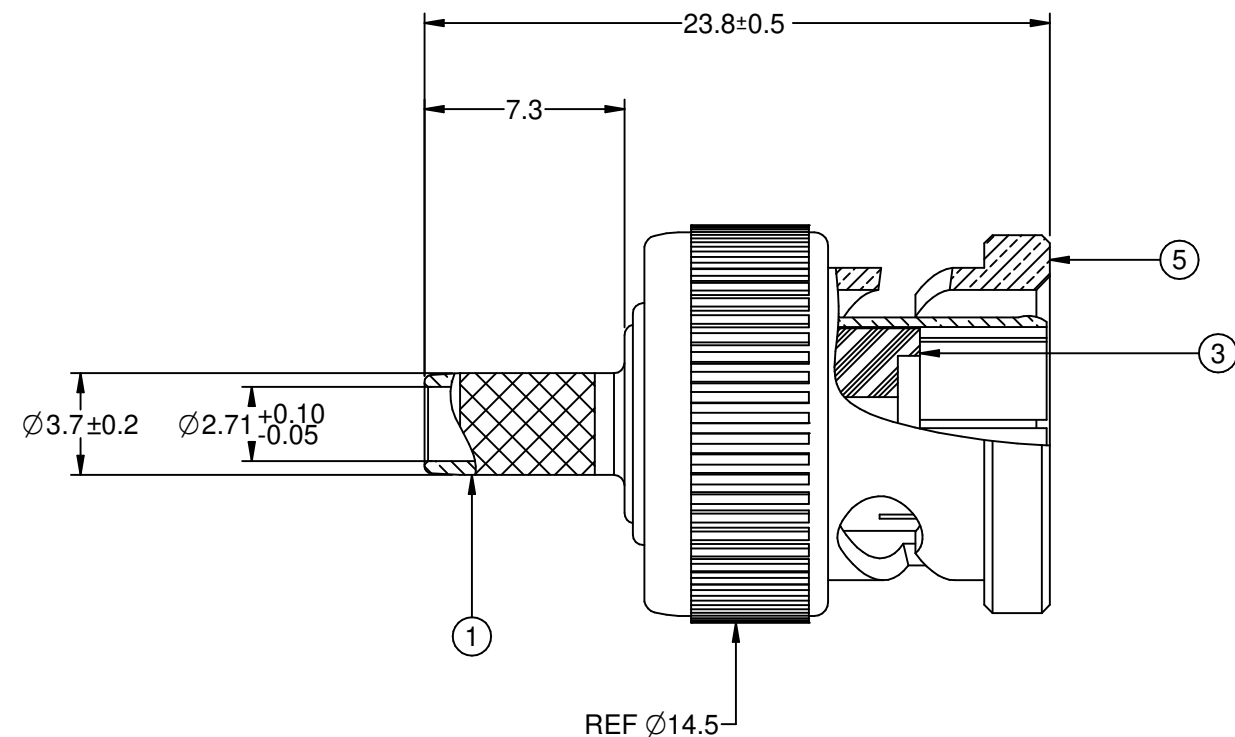
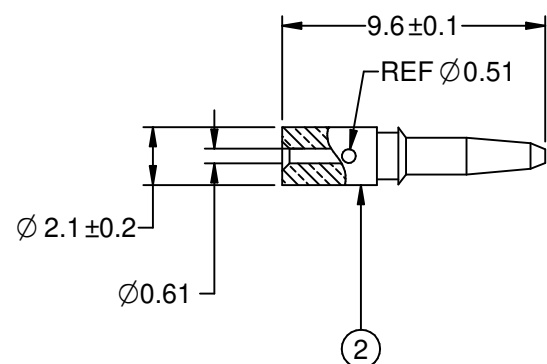
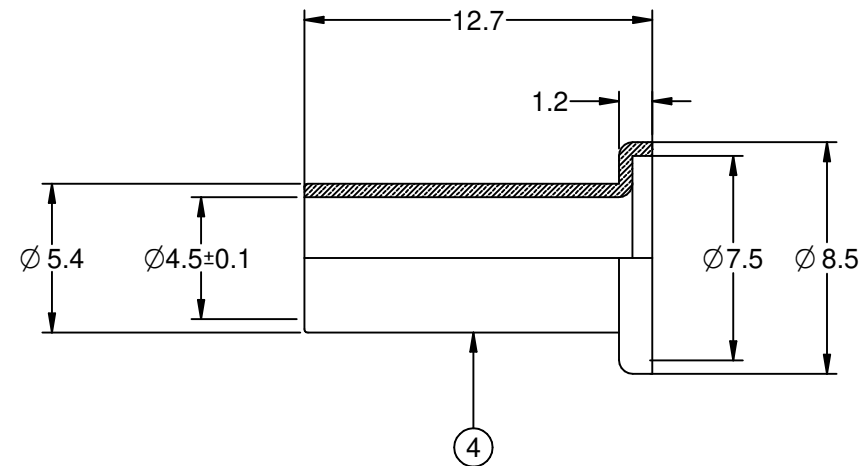
Email & Skype: info@chipsmall.com Web: www.chipsmall.com

Address: A1208, Overseas Decoration Building, #122 Zhenhua RD., Futian, Shenzhen, China



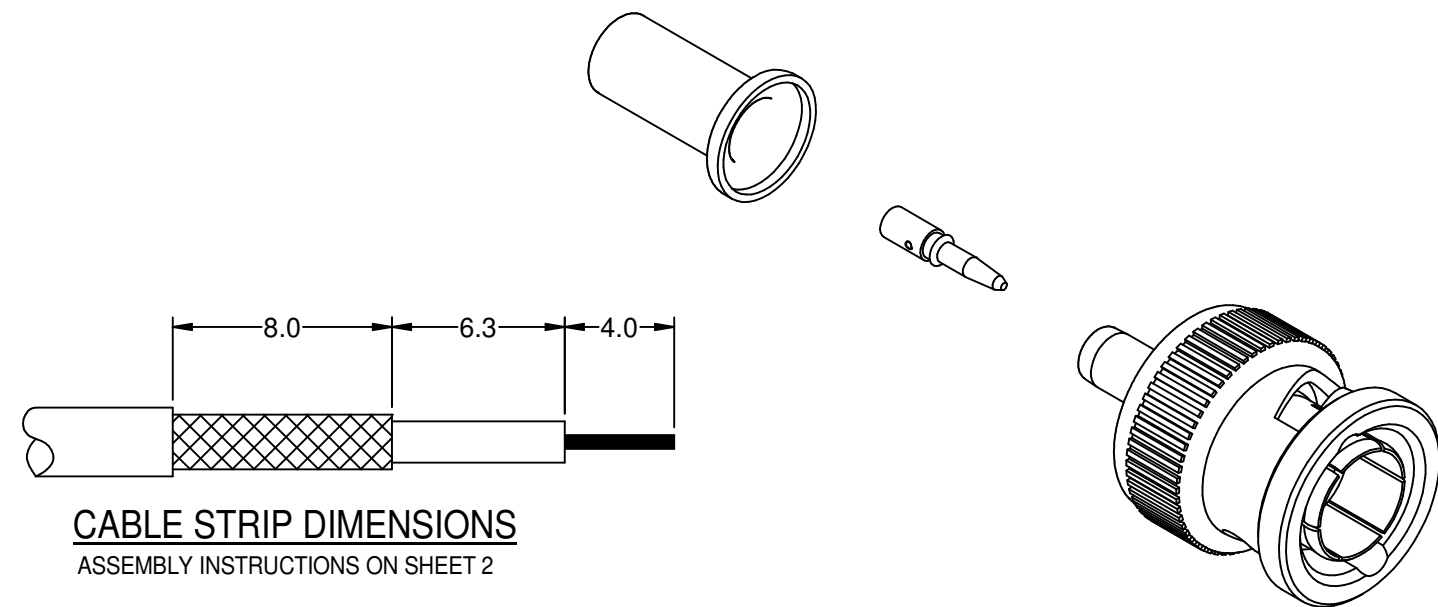
MODEL NUMBER	ITEM 1 BODY	ITEM 2 CONTACT	ITEM 3 INSULATOR	ITEM 4 CRMIP SLEEVE	ITEM 5 COUPLING NUT
CPMC7818	BRASS NICKEL PLATED	BRASS GOLD PLATED	TPX	BRASS NICKEL PLATED	BRASS NICKEL PLATED

REV	ECO	DATE
001	N/A	2009/4/15
002	ECO-16-0090	2016/7/4



NOTES:

- ELECTRICAL SPECIFICATIONS**
 IMPEDANCE: 75 OHMS NOMINAL
 FREQUENCY RANGE: 0-2 GHz
 WORKING VOLTAGE: 500 Vrms MAX AT SEA LEVEL
 DIELECTRIC WITHSTANDING VOLTAGE: 1500 vrms AT SEA LEVEL
 CORONA LEVEL: 375 VOLTS MINIMUM AT 70,000 FEET
 CONTACT RESISTANCE: OUTER - NICKEL PLATED INITIAL 2.5 MILLIOHMS MAXIMUM
 AFTER ENVIRONMENTAL 3.5 MILLIOHMS MAXIMUM
 CENTER - INITIAL 3 MILLIOHMS MAXIMUM
 AFTER ENVIRONMENTAL 4 MILLIOHMS MAXIMUM
 BRAID TO BODY - 2.5 MILLIOHMS MAXIMUM (NICKEL PLATED),
 AFTER ENVIRONMENTAL NOT APPLICABLE
 INSULATION RESISTANCE: 5000 MEGOHMS MINIMUM
- MECHANICAL SPECIFICATIONS**
 DURABILITY: 500 CYCLES MIN
 CABLE ACCEPTABILITY: BELDEN 8218, 735A, MINI 75
 CABLE RETENTION: 20 lbs MIN
 THE MATERIAL OF CRIMP SLEEVE SHALL HAVE A MAXIMUM HARDNESS OF 85 VICKERS.
- ENVIRONMENTAL SPECIFICATIONS**
 RECOMMENDED TEMPERATURE RANGE: -55 °C TO +85 °C
 MOISTURE RESISTANCE: MIL-STD-202
- PRODUCT SHOULD BE RoHS COMPLIANCE.**
- PACKAGING REQUIREMENT FOLLOWS ENGINEER DOCUMENT P/N 836-40200001XX**



CABLE STRIP DIMENSIONS
 ASSEMBLY INSTRUCTIONS ON SHEET 2

	Model No.	CPMC7818		AIM-Cambridge		
	RoHS2	2011/65/EU	Cage Code	N/A		
<small>This PROPRIETARY Document is property of Cinch Connectivity Solutions. It is confidential in nature, non-transferable, and issued with the strict understanding that it is not to be copied or disseminated without prior written permission upon demand.</small> <small>INTERPRET DRAWING IN ACCORDANCE WITH ASME Y14.5-2009</small>	UNLESS OTHERWISE SPECIFIED:	UNITS: METRIC	3RD ANGLE PROJECTION	Title: BNC PLUG, STRAIGHT, CRIMP, FOR BELDEN 8218, 735A		
	X = 0.5	X.X = 0.3	Drawn by:	Drawing No. CPMC7818		
	X.XX = 0.1	ANGLES ±1°00'	Tony Tang	Rev.	002	
	Date:	2016/7/4	Size	DO NOT SCALE DRAWING	Workmanship Std:	N/A
			Sheet	1 of 1		