



Chipsmall Limited consists of a professional team with an average of over 10 year of expertise in the distribution of electronic components. Based in Hongkong, we have already established firm and mutual-benefit business relationships with customers from,Europe,America and south Asia,supplying obsolete and hard-to-find components to meet their specific needs.

With the principle of “Quality Parts,Customers Priority,Honest Operation,and Considerate Service”,our business mainly focus on the distribution of electronic components. Line cards we deal with include Microchip,ALPS,ROHM,Xilinx,Pulse,ON,Everlight and Freescale. Main products comprise IC,Modules,Potentiometer,IC Socket,Relay,Connector.Our parts cover such applications as commercial,industrial, and automotives areas.

We are looking forward to setting up business relationship with you and hope to provide you with the best service and solution. Let us make a better world for our industry!



## Contact us

Tel: +86-755-8981 8866 Fax: +86-755-8427 6832

Email & Skype: info@chipsmall.com Web: www.chipsmall.com

Address: A1208, Overseas Decoration Building, #122 Zhenhua RD., Futian, Shenzhen, China



5

4

3

2

1

DRAWING NO.

CPMC782-CUST

## REVISIONS

OFFICIAL RELEASE

01

03-05-09

Z

G

B

Y

T

02

RELEASE FOR SUPPLIER ALTER

07-27-11

Y

G

Y

G

M

L

L

Lin

Rev  
2011.07.28  
14:50:12 +0800

Description: Plug Assembly, Straight Crimp Type BNC 75 Ohm, RG59, 62

Part No: CPMC782

Application: For Cable BELDEN 1505A, RG59, 62

Crimp Tool: 24-9959P

Impedance: 75 Ohms

Frequency Range: 0-2 GHz

Material: Body Brass Nickel Plated

Contact Brass Gold Plated

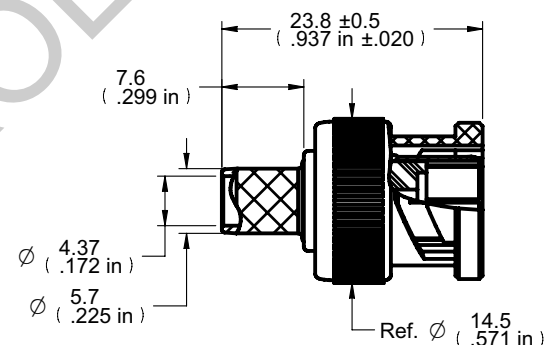
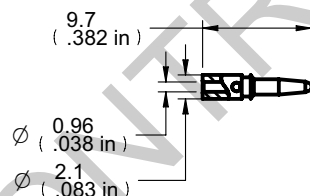
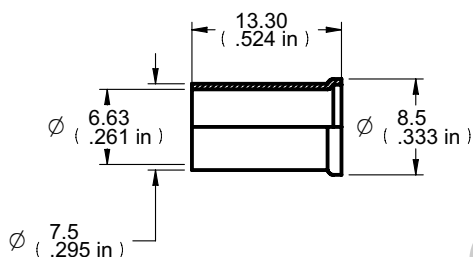
Insulator PTFE

Crimp Sleeve Brass Nickel Plated

Coupling Nut Zinc Nickel Plated

RoHS Compliance: Yes

Technical Detail: Refer to Emerson Document P/N 27-0000



## DIM OUTLINE

CUSTOMER COPY

受控 CONTROLLED DOCUMENT					
编号 P/N	CPMC782-CUST	版本 Rev	02	日期 Rel'd Date	Aug4,11

TOLERANCE UNLESS OTHERWISE SPECIFIED		DRAWN BY YUGE HU	DATE 07-27-11
DECIMALS	mm	CHECKED BY YUGE HU	DATE 07-27-11
X	± 0.5	APPROVED BY LIN MA	DATE 07-27-11
X.X	± 0.3	U/M	mm
X.XX	± 0.1		
ANGLES	± 0.5°		



TITLE  
 PLUG ASSEMBLY, STRAIGHT CRIMP  
 TYPE, BNC 75OHM, RG59, 62

SHEET 1 OF 1	DRAWING NO. CPMC782-CUST	SIZE A
-----------------	-----------------------------	-----------

THIS DRAWING WAS PRODUCED BY COMPUTER,  
 DO NOT SCALE DRAWING OR UPDATE MANUALLY.

5

4

3

2

1