



Chipsmall Limited consists of a professional team with an average of over 10 year of expertise in the distribution of electronic components. Based in Hongkong, we have already established firm and mutual-benefit business relationships with customers from,Europe,America and south Asia,supplying obsolete and hard-to-find components to meet their specific needs.

With the principle of “Quality Parts,Customers Priority,Honest Operation,and Considerate Service”,our business mainly focus on the distribution of electronic components. Line cards we deal with include Microchip,ALPS,ROHM,Xilinx,Pulse,ON,Everlight and Freescale. Main products comprise IC,Modules,Potentiometer,IC Socket,Relay,Connector.Our parts cover such applications as commercial,industrial, and automotives areas.

We are looking forward to setting up business relationship with you and hope to provide you with the best service and solution. Let us make a better world for our industry!



Contact us

Tel: +86-755-8981 8866 Fax: +86-755-8427 6832

Email & Skype: info@chipsmall.com Web: www.chipsmall.com

Address: A1208, Overseas Decoration Building, #122 Zhenhua RD., Futian, Shenzhen, China



5

4

3

2

1

DRAWING NO.

CPMC881-CUST

REVISIONS

OFFICAL RELEASE

01

03-05-09

Z

B

Y

T

02

07-27-11

Y

G

Y

M

L

03

INSULATOR MATERIAL WAS PTFE
 BODY MATERIAL WAS BRASS
 DIMENSIONS 11.5±0.1 WAS
 12.1±0.1; Ø5.6 WAS Ø5.23;
 Ø6.5 WAS Ø6.22; 15.0±0.3 WAS 14.8
 ADDED: CABLE STRIP
 DIMENSIONS

07-27-11

Y

G

Y

M

L

Lin Ma
 2011.03.31 08:27:50
 ECO-11-0270

Description: Stright BNC Crimp Plug For RG58 Style Cable

Part No: CPMC881

Application: For Cable RG58 Style

Crimp Tool: 24-9958P

Impedance: 50 Ohms

Fequency Range: 0-4 GHz

Material: Body Zinc Nickel Plated

Contact Brass Gold Plated

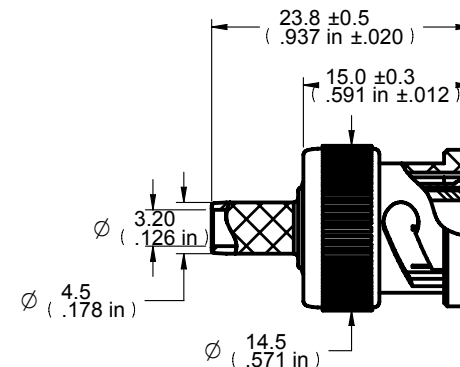
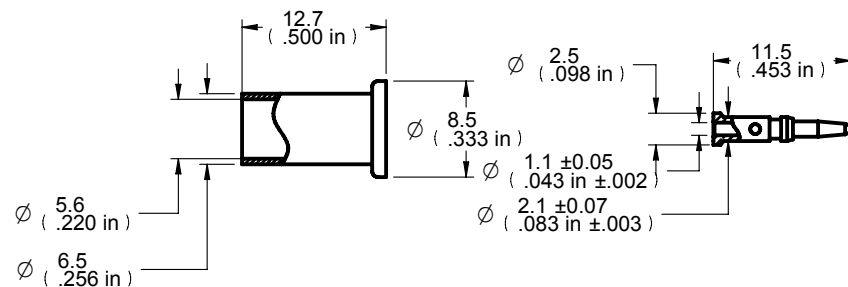
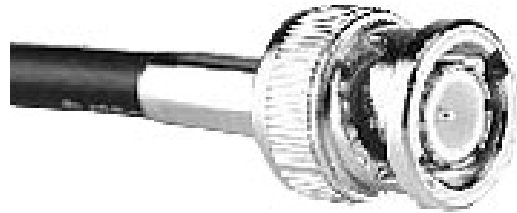
Insulator POM

Crimp Sleeve Brass Nickel Plated

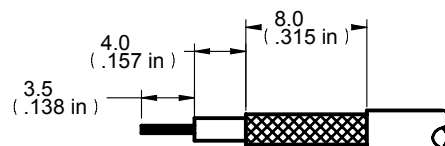
Coupling Nut Zinc Nickel Plated

RoHS Compliance: Yes

Technical Detail: Refer to Emerson Document P/N 27-0000



DIM OUTLINE



CABLE STRIP DIMENSIONS

CUSTOMER COPY

TOLERANCE UNLESS OTHERWISE SPECIFIED		DRAWN BY YUGE HU	DATE 07-27-11
DECIMALS	mm	CHECKED BY YUGE HU	DATE 07-27-11
X	± 0.5	APPROVED BY LIN MA	DATE 07-27-11
X.X	± 0.2	U/M	mm
X.XX	± 0.1		
ANGLES	± 0.5°		



Connectivity Solutions

TITLE
 STRAIGHT BNC CRIMP PLUG
 FOR R58 STYLE CABLE

SHEET
 1 OF 1

DRAWING NO.
 CPMC881-CUST

SIZE
 A

THIS DRAWING WAS PRODUCED BY COMPUTER,
 DO NOT SCALE DRAWING OR UPDATE MANUALLY.

5

4

3

2

1