



Chipsmall Limited consists of a professional team with an average of over 10 year of expertise in the distribution of electronic components. Based in Hongkong, we have already established firm and mutual-benefit business relationships with customers from,Europe,America and south Asia,supplying obsolete and hard-to-find components to meet their specific needs.

With the principle of “Quality Parts,Customers Priority,Honest Operation,and Considerate Service”,our business mainly focus on the distribution of electronic components. Line cards we deal with include Microchip,ALPS,ROHM,Xilinx,Pulse,ON,Everlight and Freescale. Main products comprise IC,Modules,Potentiometer,IC Socket,Relay,Connector.Our parts cover such applications as commercial,industrial, and automotives areas.

We are looking forward to setting up business relationship with you and hope to provide you with the best service and solution. Let us make a better world for our industry!



Contact us

Tel: +86-755-8981 8866 Fax: +86-755-8427 6832

Email & Skype: info@chipsmall.com Web: www.chipsmall.com

Address: A1208, Overseas Decoration Building, #122 Zhenhua RD., Futian, Shenzhen, China



5

4

3

2

1

D

C

B

A



Description: Stright BNC Crimp Plug For RG59 Plenum Cable

Part No: CPMC8810

Application: For Cable RG59 Plenum

Crimp Tool: 24-9958P

Impedance: 50 Ohms

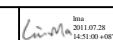
Fequency Range: 0-4 GHz

Material:

Body	Brass	Nickel Plated
Contact	Brass	Gold Plated
Insulator	PTFE	
Crimp Sleeve	Brass	Nickel Plated
Coupling Nut	Zinc	Nickel Plated

RoHS Compliance: Yes

Technical Detail: Refer to Emerson Document P/N 27-0000

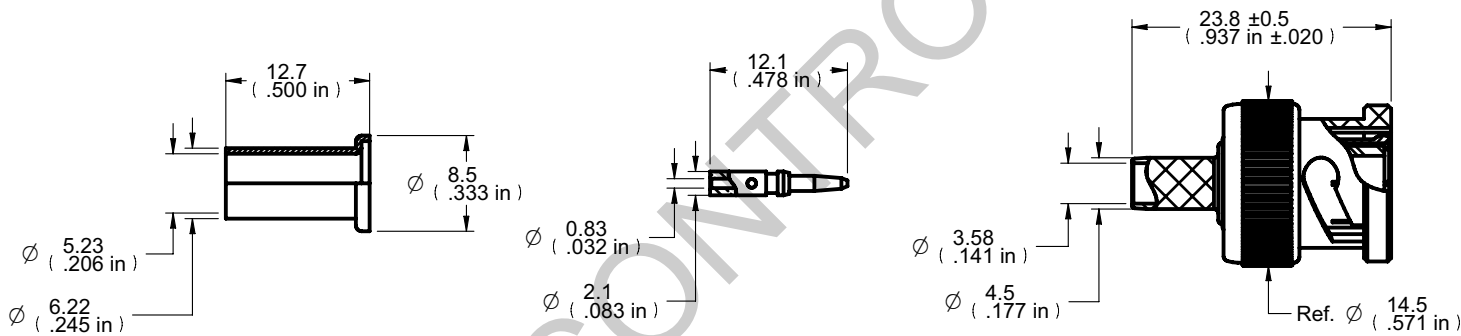
DRAWING NO.	
CPMC8810-CUST	
REVISIONS	
01	OFFICAL RELEASE
03-05-09	Z G B T
02	RELEASE FOR SUPPLIER ALTER
07-27-11	Y G Y M L 

D

C

B

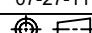
A



DIM OUTLINE

CUSTOMER COPY

受控 CONTROLLED DOCUMENT					
编号 P/N	CPMC8810-CUST	版本 Rev	02	日期 Rel'd Date	Aug4,11

TOLERANCE UNLESS OTHERWISE SPECIFIED		DRAWN BY	DATE
DECIMALS	mm	YUGE HU	07-27-11
X	± 0.5	CHECKED BY	DATE
X.X	± 0.3	YUGE HU	07-27-11
X.XX	± 0.1	APPROVED BY	DATE
ANGLES	± 0.5°	LIN MA	07-27-11
	U/M	mm	



TITLE
STRAIGHT BNC CRIMP PLUG FOR R59 PLENUM CABLE

THIS DRAWING WAS PRODUCED BY COMPUTER, DO NOT SCALE DRAWING OR UPDATE MANUALLY.			SHEET 1 OF 1	DRAWING NO. CPMC8810-CUST	SIZE A
---------------------------------------------------------------------------------	--	--	--------------	---------------------------	--------

5

4

3

2

1