



Chipsmall Limited consists of a professional team with an average of over 10 year of expertise in the distribution of electronic components. Based in Hongkong, we have already established firm and mutual-benefit business relationships with customers from,Europe,America and south Asia,supplying obsolete and hard-to-find components to meet their specific needs.

With the principle of “Quality Parts,Customers Priority,Honest Operation,and Considerate Service”,our business mainly focus on the distribution of electronic components. Line cards we deal with include Microchip,ALPS,ROHM,Xilinx,Pulse,ON,Everlight and Freescale. Main products comprise IC,Modules,Potentiometer,IC Socket,Relay,Connector.Our parts cover such applications as commercial,industrial, and automotives areas.

We are looking forward to setting up business relationship with you and hope to provide you with the best service and solution. Let us make a better world for our industry!



## Contact us

Tel: +86-755-8981 8866 Fax: +86-755-8427 6832

Email & Skype: info@chipsmall.com Web: www.chipsmall.com

Address: A1208, Overseas Decoration Building, #122 Zhenhua RD., Futian, Shenzhen, China



5

4

3

2

1

受控 CONTROLLED DOCUMENT

编号 P/N	CPMC8813-CUST	版本 Rev	02	日期 Rel'd Date	Jan16,12
-----------	---------------	-----------	----	------------------	----------

DRAWING NO.

CPMC8813-CUST

REVISIONS

01	OFFICAL RELEASE					
	08-17-09	J	J	T	T	
02	DIMENSIONS: $\Phi 14.3 \pm 0.3$ WAS $\Phi 14.5$ $\Phi 6.6$ WAS $\Phi 6.4$ ADD CABLE STRIP DIMENSIONS					
	12-31-11	Y	G	Y	G	M L

D

D



Description: BNC 3pc crimp plug RG223  
 Part No: CPMC8813  
 Application: For RG142,223,400,55 Cable  
 Crimp Tool: 24-9958P  
 Impedance: 50 Ohms  
 Frequency Range: 0-4 GHz  
 Material:  
 Body Zinc Nickel plated  
 Contact Brass Gold plated  
 Insulator Teflon  
 Crimp sleeve Brass Nickel plated  
 Coupling nut Zinc Nickel plated

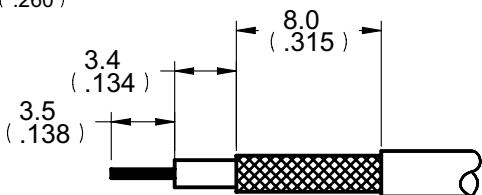
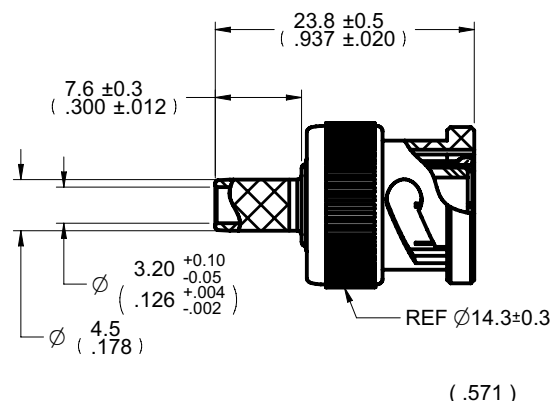
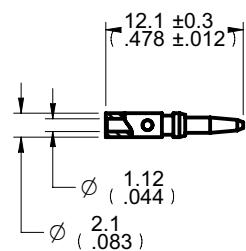
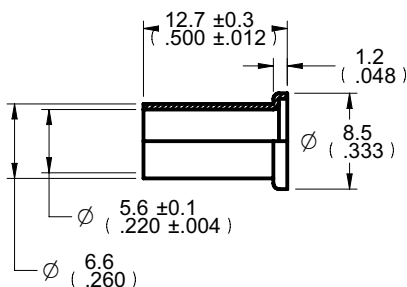
RoHS Compliance: Yes  
 Technical Detail: Refer to Emerson Document P/N 27-0000

C

C

B

B



DIM OUTLINE

CABLE STRIP DIMENSIONS

CUSTOMER COPY

A

A

TOLERANCE UNLESS OTHERWISE SPECIFIED		DRAWN BY	DATE
DECIMALS	mm	JEAN.JIN	08-17-09
X	± 0.5	CHECKED BY	DATE
X.X	± 0.2	TERRY.W	08-17-09
X.XX	± 0.1	APPROVED BY	DATE
ANGLES	± 0.5°	THOMAS	08-17-09
	U/M	mm	

<b>Connectivity Solutions</b>		
		TITLE
BNC 3PC CRIMP PLUG RG223		
SHEET	DRAWING NO.	SIZE
1 OF 1	CPMC8813-CUST	A

THIS DRAWING WAS PRODUCED BY COMPUTER, DO NOT SCALE DRAWING OR UPDATE MANUALLY.

5

4

3

2

1