



Chipsmall Limited consists of a professional team with an average of over 10 year of expertise in the distribution of electronic components. Based in Hongkong, we have already established firm and mutual-benefit business relationships with customers from,Europe,America and south Asia,supplying obsolete and hard-to-find components to meet their specific needs.

With the principle of “Quality Parts,Customers Priority,Honest Operation,and Considerate Service”,our business mainly focus on the distribution of electronic components. Line cards we deal with include Microchip,ALPS,ROHM,Xilinx,Pulse,ON,Everlight and Freescale. Main products comprise IC,Modules,Potentiometer,IC Socket,Relay,Connector.Our parts cover such applications as commercial,industrial, and automotives areas.

We are looking forward to setting up business relationship with you and hope to provide you with the best service and solution. Let us make a better world for our industry!



Contact us

Tel: +86-755-8981 8866 Fax: +86-755-8427 6832

Email & Skype: info@chipsmall.com Web: www.chipsmall.com

Address: A1208, Overseas Decoration Building, #122 Zhenhua RD., Futian, Shenzhen, China



5

4

3

2

1

D

C

B

A



Description: Stright BNC Crimp Plug For Belden 8218 Style Cable

Part No: CPMC8818

Application: For Cable Belden 8218 Style

Crimp Tool: 24-9912P

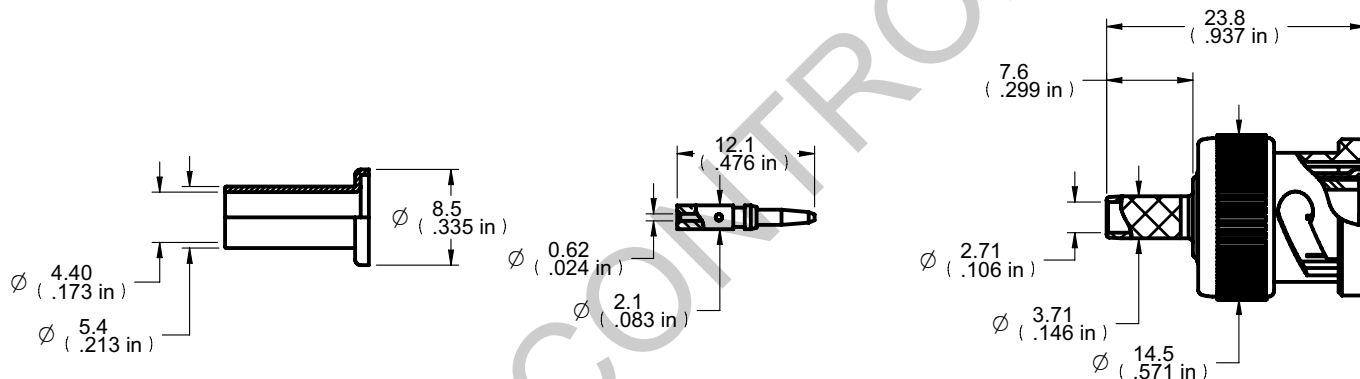
Impedance: 50 Ohms

Fequency Range: 0-4 GHz

Material: Body Brass Nickel Plated
 Contact Brass Gold Plated
 Insulator PTFE
 Crimp Sleeve Brass Nickel Plated
 Coupling Nut Zinc Nickel Plated

RoHS Compliance: Yes

Technical Detail: Refer to Emerson Document P/N 27-0000



DIM OUTLINE

DRAWING NO.

CPMC8818-CUST

REVISIONS

01	OFFICAL RELEASE				
	03-05-09	Z	B	T	
02	RELEASE FOR SUPPLIER ALTER				
	07-27-11	Y	Y	M	

D

C

B

A

CUSTOMER COPY

受控 CONTROLLED DOCUMENT					
编号 P/N	CPMC8818-CUST	版本 Rev	02	日期 Rel'd Date	Aug4,11

TOLERANCE UNLESS OTHERWISE SPECIFIED		DRAWN BY	DATE
DECIMALS	mm	YUGE HU	07-27-11
X	± 0.5	CHECKED BY	DATE
X.X	± 0.3	YUGE HU	07-27-11
X.XX	± 0.1	APPROVED BY	DATE
ANGLES	± 0.5°	LIN MA	07-27-11
		U/M	mm



TITLE
STRAIGHT BNC CRIMP PLUG FOR BLEDEN 8218 STYLE CABLE

THIS DRAWING WAS PRODUCED BY COMPUTER, DO NOT SCALE DRAWING OR UPDATE MANUALLY.

SHEET	DRAWING NO.	SIZE
1 OF 1	CPMC8818-CUST	A

5

4

3

2

1