



Chipsmall Limited consists of a professional team with an average of over 10 year of expertise in the distribution of electronic components. Based in Hongkong, we have already established firm and mutual-benefit business relationships with customers from,Europe,America and south Asia,supplying obsolete and hard-to-find components to meet their specific needs.

With the principle of “Quality Parts,Customers Priority,Honest Operation,and Considerate Service”,our business mainly focus on the distribution of electronic components. Line cards we deal with include Microchip,ALPS,ROHM,Xilinx,Pulse,ON,Everlight and Freescale. Main products comprise IC,Modules,Potentiometer,IC Socket,Relay,Connector.Our parts cover such applications as commercial,industrial, and automotives areas.

We are looking forward to setting up business relationship with you and hope to provide you with the best service and solution. Let us make a better world for our industry!



Contact us

Tel: +86-755-8981 8866 Fax: +86-755-8427 6832

Email & Skype: info@chipsmall.com Web: www.chipsmall.com

Address: A1208, Overseas Decoration Building, #122 Zhenhua RD., Futian, Shenzhen, China



5

4

3

2

1

DRAWING NO.

CMPC8821-CUST

REVISIONS

OFFICAL RELEASE

01

03-05-09

Z

G

B

Y

T

02

RELEASE FOR SUPPLIER ALTER

07-27-11

Y

G

Y

G

M

L

Lin

Ma

2011.07.28

14:51:30+0800

Description: Stright BNC Crimp Plug For RG58, RG59 Plenum Cable

Part No: CPMC8821

Application: For Cable RG-59&59TFE

Crimp Tool: 24-8857P for RG-58, 24-9859P for RG-59 Plenum

Impedance: 50 Ohms

Frequency Range: 0-4 GHz

Material: Body Zinc Nickel Plated

Contact Brass Gold Plated

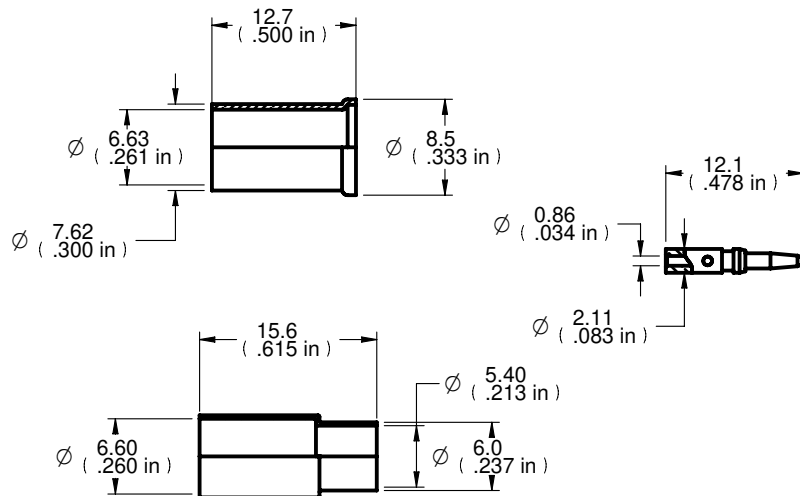
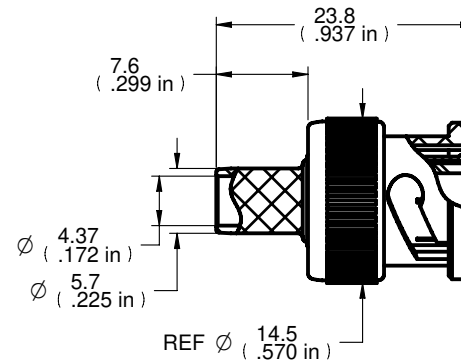
Insulator PTFE

Crimp Sleeve Brass Nickel Plated

Coupling Nut Zinc Nickel Plated

RoHS Compliance: Yes

Technical Detail: Refer to Emerson Document P/N 27-0000

**DIM OUTLINE**

CUSTOMER COPY

TOLERANCE UNLESS OTHERWISE SPECIFIED		DRAWN BY YUGE HU	DATE 07-27-11
DECIMALS	mm	CHECKED BY YUGE HU	DATE 07-27-11
X	+ 0.5	APPROVED BY LIN MA	DATE 07-27-11
X.X	+ 0.3	U/M	mm
X.XX	+ 0.1		
ANGLES	+ 0.5°		



TITLE
STRAIGHT BNC CRIMP PLUG
FOR RG58, RG59 PLENUM CABLE

SHEET
1 OF 1

DRAWING NO.
CPMC8821-CUST

SIZE
A

THIS DRAWING WAS PRODUCED BY COMPUTER,
DO NOT SCALE DRAWING OR UPDATE MANUALLY.

5

4

3

2

1

D

D

C

C

B

B

A

A