



Chipsmall Limited consists of a professional team with an average of over 10 year of expertise in the distribution of electronic components. Based in Hongkong, we have already established firm and mutual-benefit business relationships with customers from,Europe,America and south Asia,supplying obsolete and hard-to-find components to meet their specific needs.

With the principle of “Quality Parts,Customers Priority,Honest Operation,and Considerate Service”,our business mainly focus on the distribution of electronic components. Line cards we deal with include Microchip,ALPS,ROHM,Xilinx,Pulse,ON,Everlight and Freescale. Main products comprise IC,Modules,Potentiometer,IC Socket,Relay,Connector.Our parts cover such applications as commercial,industrial, and automotives areas.

We are looking forward to setting up business relationship with you and hope to provide you with the best service and solution. Let us make a better world for our industry!



Contact us

Tel: +86-755-8981 8866 Fax: +86-755-8427 6832

Email & Skype: info@chipsmall.com Web: www.chipsmall.com

Address: A1208, Overseas Decoration Building, #122 Zhenhua RD., Futian, Shenzhen, China



5

4

3

2

1

DRAWING NO.

CPMC885-CUST

REVISIONS

OFFICAL RELEASE

01

03-05-09

Z G B Y T

Thomas Chow

Description: Stright BNC Crimp Plug For RG6 Cable

Part No: CPMC885

Application: For Cable RG-6

Crimp Tool: 24-8856P

Impedance: 50 Ohms

Fequency Range: 0-4 GHz

Material: Body Zinc Nickel plated

Contact Brass Gold plated

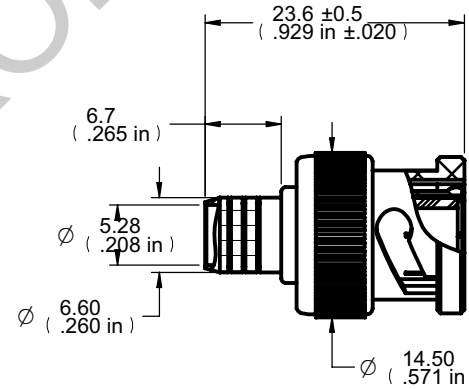
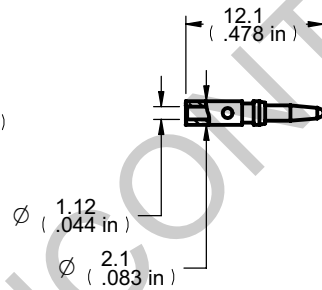
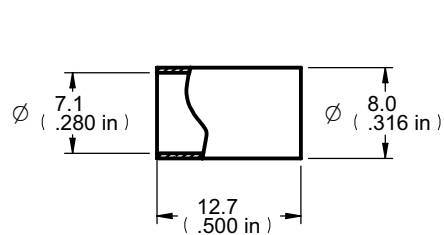
Insulator PTFE

Crimp Sleeve Brass Nickel plated

Coupling Nut Zinc Nickel plated

RoHS Compliance: Yes

Technical Detail: Refer to Emerson Document P/N 27-0000



DIM OUTLINE

CUSTOMER COPY



TITLE STRAIGHT BNC CRIMP PLUG FOR RG6 CABLE

SHEET 1 OF 1

DRAWING NO. CPMC885-CUST

SIZE A

TOLERANCE UNLESS OTHERWISE SPECIFIED		DRAWN BY GARY.ZHG	DATE 03-05-09
DECIMALS	mm	CHECKED BY TERRY.W	DATE 03-05-09
X	± 0.5	APPROVED BY THOMAS	DATE 03-10-09
X.X	± 0.3	U/M	mm
X.XX	± 0.1		
ANGLES	± 0.5°		

THIS DRAWING WAS PRODUCED BY COMPUTER, DO NOT SCALE DRAWING OR UPDATE MANUALLY.

受控 CONTROLLED DOCUMENT

编号 P/N	CPMC885-CUST	版本 Rev	01	日期 Rel'd Date	Apr29,09
--------	--------------	--------	----	---------------	----------

5

4

3

2

1