



Chipsmall Limited consists of a professional team with an average of over 10 year of expertise in the distribution of electronic components. Based in Hongkong, we have already established firm and mutual-benefit business relationships with customers from,Europe,America and south Asia,supplying obsolete and hard-to-find components to meet their specific needs.

With the principle of “Quality Parts,Customers Priority,Honest Operation,and Considerate Service”,our business mainly focus on the distribution of electronic components. Line cards we deal with include Microchip,ALPS,ROHM,Xilinx,Pulse,ON,Everlight and Freescale. Main products comprise IC,Modules,Potentiometer,IC Socket,Relay,Connector.Our parts cover such applications as commercial,industrial, and automotives areas.

We are looking forward to setting up business relationship with you and hope to provide you with the best service and solution. Let us make a better world for our industry!



## Contact us

Tel: +86-755-8981 8866 Fax: +86-755-8427 6832

Email & Skype: info@chipsmall.com Web: www.chipsmall.com

Address: A1208, Overseas Decoration Building, #122 Zhenhua RD., Futian, Shenzhen, China



5

4

3

2

1

受控 CONTROLLED DOCUMENT

编号 P/N	CPN 17-CU ST	版本 Rev	01	日期 Rel'd Date	SEP 14,09
-----------	--------------	-----------	----	------------------	-----------

DRAWING NO.  
CPN17-CUST

REVISIONS

OFFICAL RELEASE

01

08-17-09	J	T	T	<i>Betty</i>	2009.09.09 8 08:53:38 +08:00'
----------	---	---	---	--------------	-------------------------------------

D

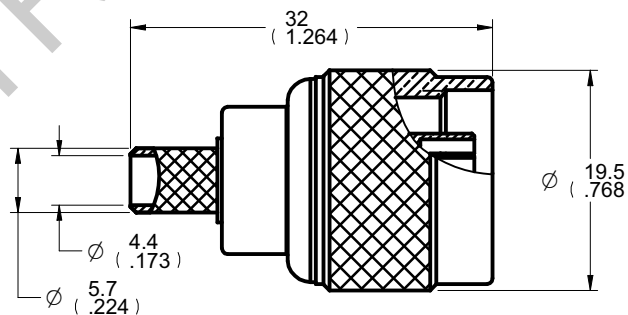
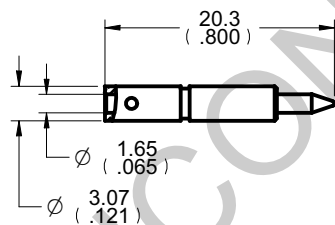
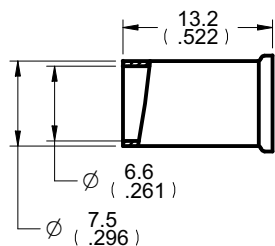


Description: N-male 3 pc crimp RG8X  
 Part No: CPN17  
 Application: For RG8X Cable  
 Crimp Tool: 24-312  
 Impedance: 50 Ohms  
 Frequency Range: 0-11 GHz  
 Material: Crimp Sleeve Brass Nickel plated  
 Contact Brass Ni/Au plated  
 Body Brass Nickel plated  
 Coupling Nut Brass Nickel plated

RoHS Compliance: Yes  
 Technical Detail: Refer to Emerson Document P/N 26-0000

C

B



**DIM OUTLINE**

A

TOLERANCE UNLESS OTHERWISE SPECIFIED		DRAWN BY JEAN.JIN	DATE 08-17-09
DECIMALS	mm	CHECKED BY TERRY.W	DATE 08-17-09
X	± 0.5	APPROVED BY THOMAS	DATE 08-17-09
X.X	± 0.2	U/M	mm
X.XX	± 0.1		
ANGLES	± 0.5°		



TITLE  
N-MALE 3 PC CRIMP RG8X

THIS DRAWING WAS PRODUCED BY COMPUTER, DO NOT SCALE DRAWING OR UPDATE MANUALLY.

SHEET  
1 OF 1

DRAWING NO.  
CPN17-CUST

SIZE  
A

CUSTOMER COPY

5

4

3

2

1