



Chipsmall Limited consists of a professional team with an average of over 10 year of expertise in the distribution of electronic components. Based in Hongkong, we have already established firm and mutual-benefit business relationships with customers from,Europe,America and south Asia,supplying obsolete and hard-to-find components to meet their specific needs.

With the principle of "Quality Parts,Customers Priority,Honest Operation,and Considerate Service",our business mainly focus on the distribution of electronic components. Line cards we deal with include Microchip,ALPS,ROHM,Xilinx,Pulse,ON,Everlight and Freescale. Main products comprise IC,Modules,Potentiometer,IC Socket,Relay,Connector.Our parts cover such applications as commercial,industrial, and automotives areas.

We are looking forward to setting up business relationship with you and hope to provide you with the best service and solution. Let us make a better world for our industry!



## Contact us

Tel: +86-755-8981 8866 Fax: +86-755-8427 6832

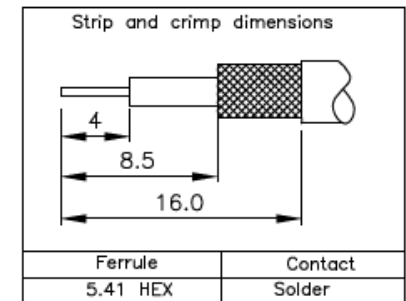
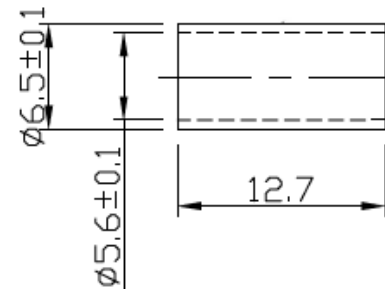
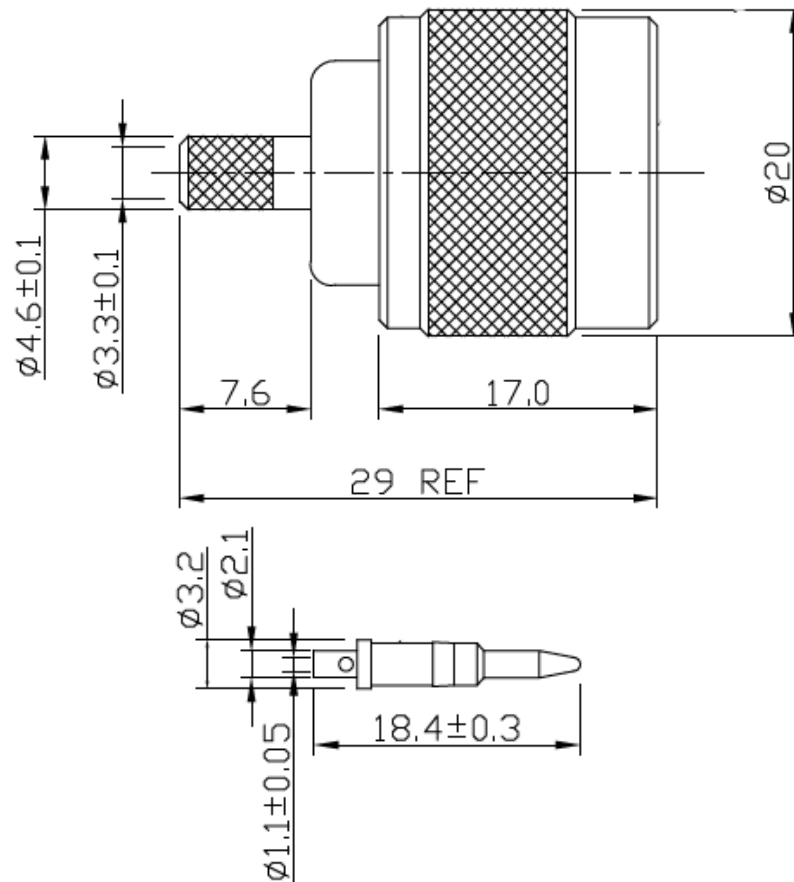
Email & Skype: info@chipsmall.com Web: www.chipsmall.com

Address: A1208, Overseas Decoration Building, #122 Zhenhua RD., Futian, Shenzhen, China





DESCRIPTION: N-CRIMP PLUG RG58  
 MODEL NUMBER: CPN681  
 APPLICATION: FOR RG58 CABLE  
 CRIMP TOOL: 24-8858P  
 IMPEDANCE: 50 OHM  
 FREQUENCY RANGE: 0 - 11 GHz  
 MATERIAL: BODY BRASS NICKEL PLATED  
 CONTACT BRASS GOLD PLATED  
 INSULATOR PTFE  
 CRIMP SLEEVE BRASS NICKEL PLATED  
 RoHS COMPLIANCE: YES  
 TECHNICAL DETAIL: REFER TO CINCH DOCUMENT PN 26-0000



This PROPRIETARY Document is property of Cinch Connectivity Solutions. It is confidential in nature, non-transferable, and issued with the clear understanding that it is not to be copied or copied without permission and is returnable upon demand.  
 INTERPRET DRAWING IN ACCORDANCE WITH ASME Y14.5-2009.



RoHS2   
 2011/65/EU

UNLESS OTHERWISE SPECIFIED UNITS: METRIC

±0.2  
 ANGLES ±2°

<b>AIM-Cambridge</b>			
Title:		N-CRIMP PLUG RG58	
Model No.		CPN681	
Size A	DO NOT SCALE DRAWING	Date: 2016/5/11	Sheet 1 of 1