



Chipsmall Limited consists of a professional team with an average of over 10 year of expertise in the distribution of electronic components. Based in Hongkong, we have already established firm and mutual-benefit business relationships with customers from,Europe,America and south Asia,supplying obsolete and hard-to-find components to meet their specific needs.

With the principle of “Quality Parts,Customers Priority,Honest Operation,and Considerate Service”,our business mainly focus on the distribution of electronic components. Line cards we deal with include Microchip,ALPS,ROHM,Xilinx,Pulse,ON,Everlight and Freescale. Main products comprise IC,Modules,Potentiometer,IC Socket,Relay,Connector.Our parts cover such applications as commercial,industrial, and automotives areas.

We are looking forward to setting up business relationship with you and hope to provide you with the best service and solution. Let us make a better world for our industry!



Contact us

Tel: +86-755-8981 8866 Fax: +86-755-8427 6832

Email & Skype: info@chipsmall.com Web: www.chipsmall.com

Address: A1208, Overseas Decoration Building, #122 Zhenhua RD., Futian, Shenzhen, China



MODEL: CPT-4011C-600 | **DESCRIPTION:** PIEZO BUZZER TRANSDUCER

FEATURES

- externally driven
- wave solderable
- 100 dB SPL



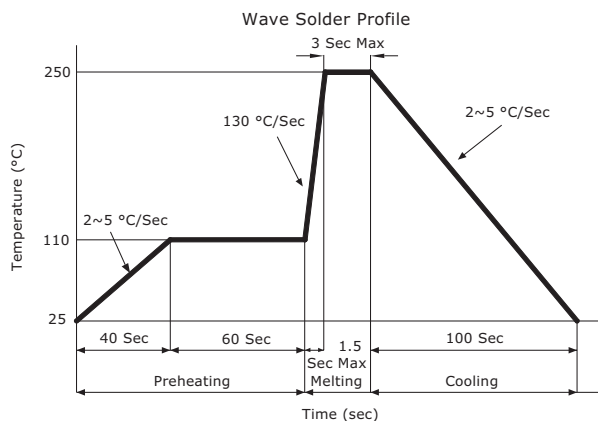
SPECIFICATIONS

parameter	conditions/description	min	typ	max	units
operating voltage				60	Vp-p
current consumption	at 25 Vp-p, 3,250 Hz square wave			40	mA
rated frequency			3,250		Hz
sound pressure level	at 300 cm, 25 Vp-p, 3,250 Hz square wave at 10 cm, 12 Vp-p, 3,250 Hz square wave	85 100			dB dB
electrostatic capacity	at 1,000 Hz/1 V	21,000	30,000	39,000	pF
dimensions	Ø40.0 x 11.0				mm
weight				11.0	g
material	PBT				
terminal	pin type (Au plating)				
operating temperature		-30		80	°C
storage temperature		-40		85	°C
RoHS	2011/65/EU				

Notes: 1. All specifications measured at 5~35°C, humidity at 45~85%, under 86~106 kPa pressure, unless otherwise noted.

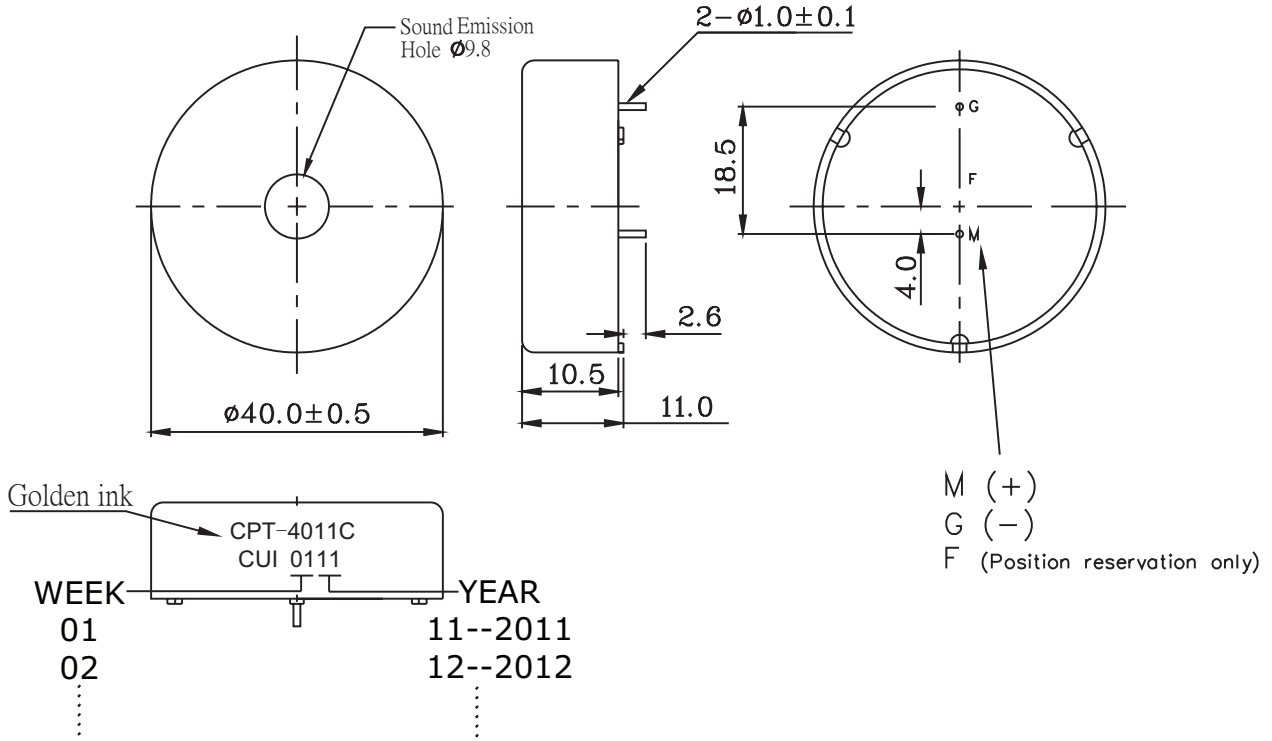
SOLDERABILITY

parameter	conditions/description	min	typ	max	units
wave soldering	see recommended wave soldering profile			250	°C

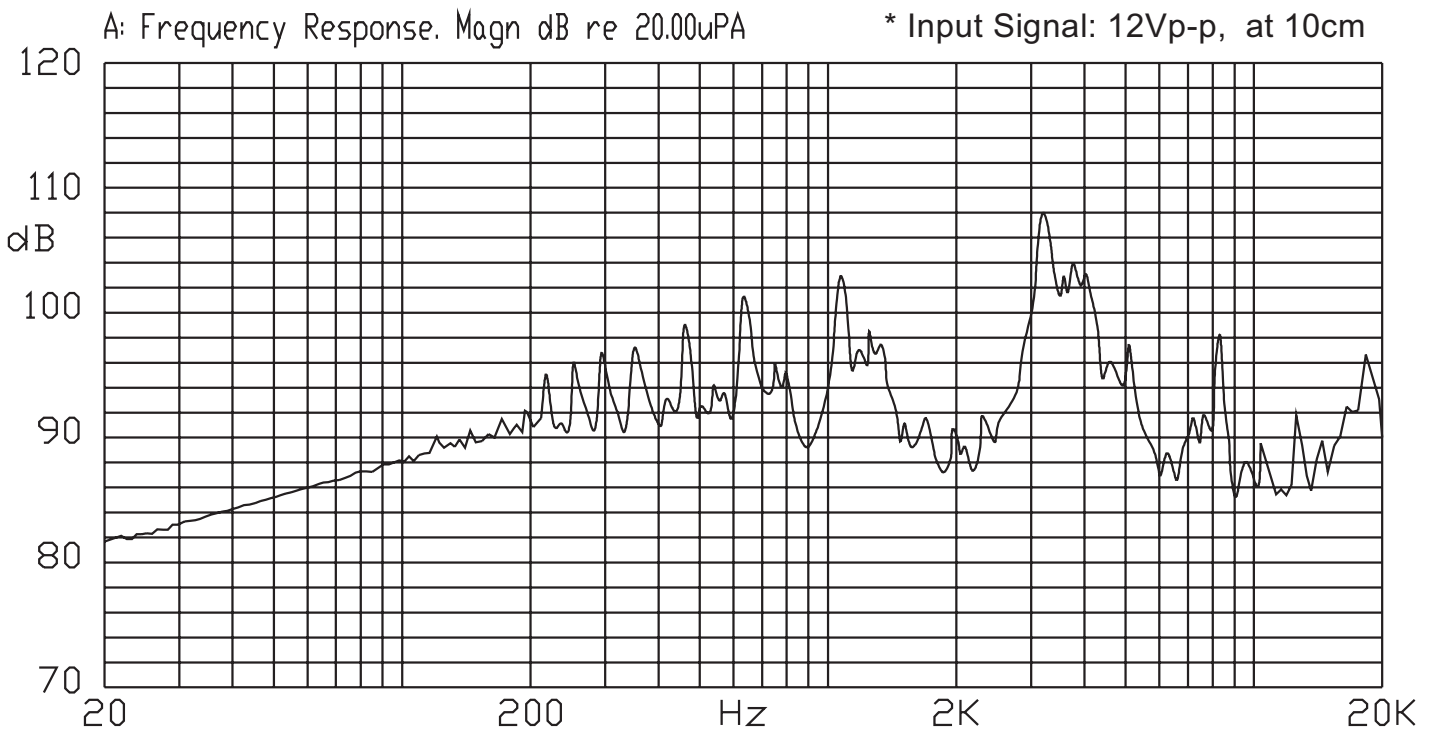


MECHANICAL DRAWING

units: mm
tolerance: ±0.5 mm



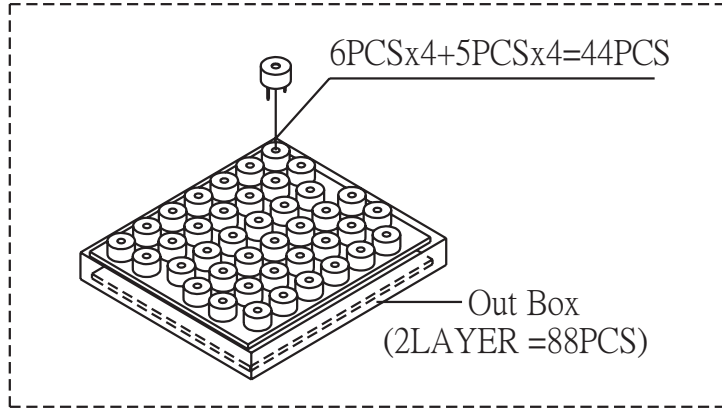
FREQUENCY RESPONSE CURVE



PACKAGING

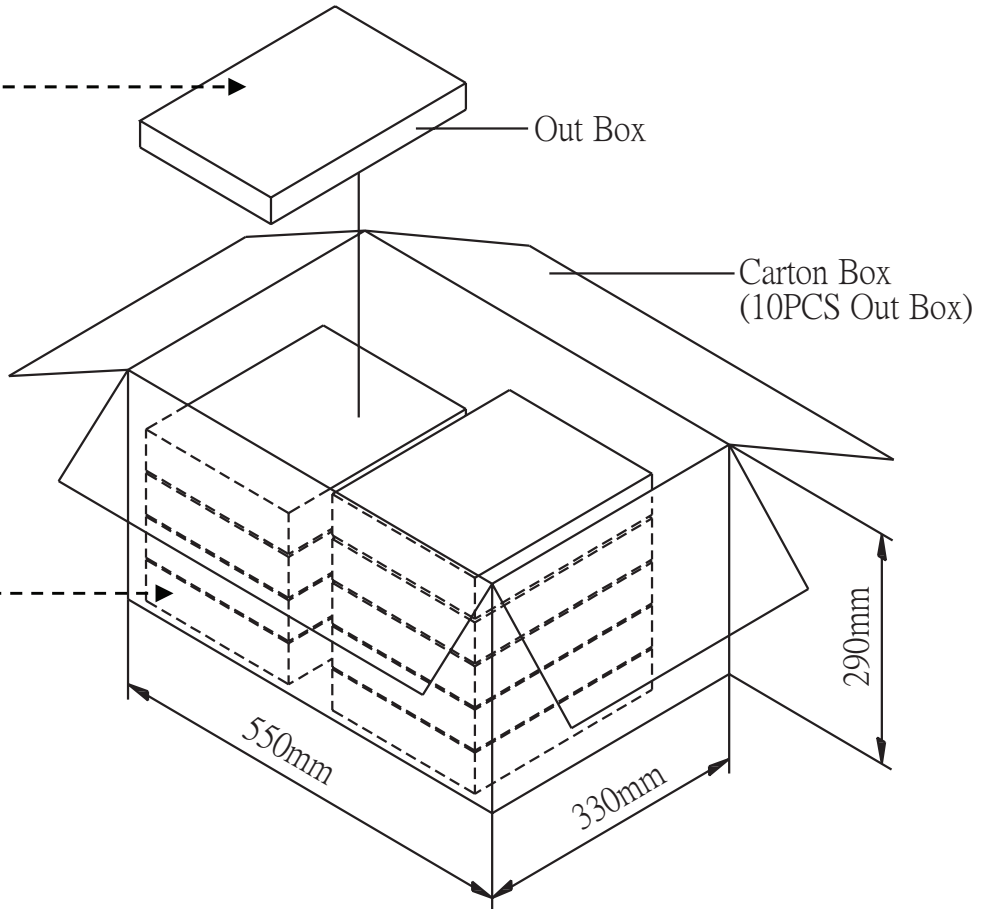
units: mm

Outer Box Size: 310 x 248 x 49 mm
 Carton Size: 550 x 330 x 290 mm
 Outer Box QTY: 88 pcs per outer box
 Carton QTY: 880 pcs per carton



Lot No.	XXXXXXXXXX
Model No.	XXXXXXXXXX
Quantity.	XXXX Pcs
Date:	DD MM YY
	MADE IN CHINA
	CUI Inc

The label is placed on the inner boxes and outer carton.



REVISION HISTORY

rev.	description	date
1.0	initial release	03/31/2016

The revision history provided is for informational purposes only and is believed to be accurate.



CUI INC[®]

Headquarters
20050 SW 112th Ave.
Tualatin, OR 97062
800.275.4899

Fax 503.612.2383
cui.com
techsupport@cui.com

CUI offers a one (1) year limited warranty. Complete warranty information is listed on our website.

CUI reserves the right to make changes to the product at any time without notice. Information provided by CUI is believed to be accurate and reliable. However, no responsibility is assumed by CUI for its use, nor for any infringements of patents or other rights of third parties which may result from its use.

CUI products are not authorized or warranted for use as critical components in equipment that requires an extremely high level of reliability. A critical component is any component of a life support device or system whose failure to perform can be reasonably expected to cause the failure of the life support device or system, or to affect its safety or effectiveness.