



Chipsmall Limited consists of a professional team with an average of over 10 year of expertise in the distribution of electronic components. Based in Hongkong, we have already established firm and mutual-benefit business relationships with customers from,Europe,America and south Asia,supplying obsolete and hard-to-find components to meet their specific needs.

With the principle of “Quality Parts,Customers Priority,Honest Operation,and Considerate Service”,our business mainly focus on the distribution of electronic components. Line cards we deal with include Microchip,ALPS,ROHM,Xilinx,Pulse,ON,Everlight and Freescale. Main products comprise IC,Modules,Potentiometer,IC Socket,Relay,Connector.Our parts cover such applications as commercial,industrial, and automotives areas.

We are looking forward to setting up business relationship with you and hope to provide you with the best service and solution. Let us make a better world for our industry!



## Contact us

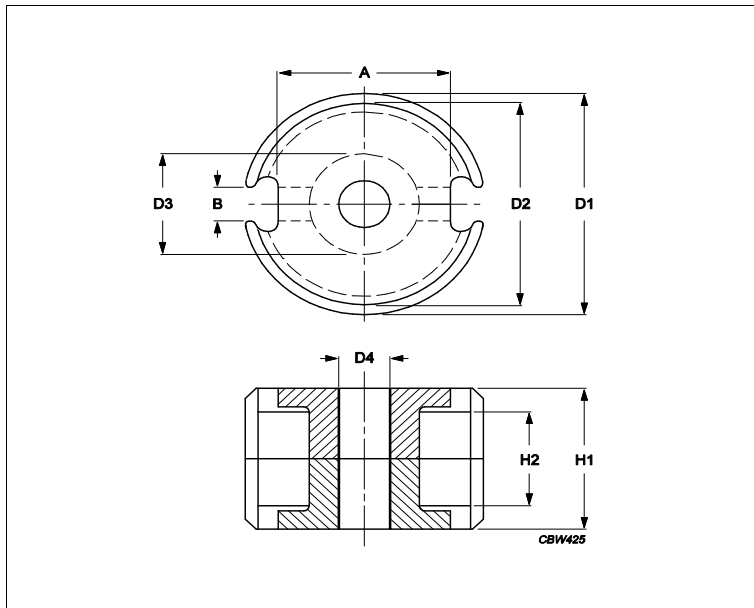
Tel: +86-755-8981 8866 Fax: +86-755-8427 6832

Email & Skype: info@chipsmall.com Web: www.chipsmall.com

Address: A1208, Overseas Decoration Building, #122 Zhenhua RD., Futian, Shenzhen, China



## Core **P18/11**



Effective parameters			
	Parameter	Value	Unit
$\Sigma(I/A)$	core factor (C1)	0.597	mm <sup>-1</sup>
<b>Ve</b>	effective volume	1120	mm <sup>3</sup>
<b>Le</b>	effective length	25.8	mm
<b>Ae</b>	effective area	43.3	mm <sup>2</sup>
<b>Amin</b>	minimum area	36	mm <sup>2</sup>
<b>m</b>	P18/11	≈ 6	g/set

**Dimensions for product: P18/11**

	Nom	Tol +	Tol -	Max	Min	Unit
<b>A</b>	13.40	0.30	0.30	13.70	13.10	mm
<b>B</b>	3.80	0.60	0.60	4.40	3.20	mm
<b>D1</b>	18.40	0.00	0.80	18.40	17.60	mm
<b>D2</b>	14.90	0.50	0.00	15.40	14.90	mm
<b>D3</b>	7.60	0.00	0.30	7.60	7.30	mm
<b>D4</b>	3.10	0.10	0.10	3.20	3.00	mm
<b>H1</b>	10.60	0.10	0.10	10.70	10.50	mm
<b>H2</b>	7.20	0.40	0.00	7.60	7.20	mm

**Inductance factor**

Material	Value	Tol +	Tol -	Unit
3C91	4000	25%	25%	nH/turns <sup>2</sup>
3D3	1400	25%	25%	nH/turns <sup>2</sup>
3H3	3100	25%	25%	nH/turns <sup>2</sup>
4C65	260	25%	25%	nH/turns <sup>2</sup>

**Power loss: 3C91**

Measuring conditions			Max	Unit
100 kHz	200 mT	60 °C	0.560	W/set

**Bsat**

Measuring conditions			Material	Min	Unit
25 kHz	250 A/m	100 °C	3C91	320	mT

## Core **P18/11**

Accessories		
Ordering name	Description	Ordering code
BPL/D-CLM/C-P18/11-C	Base plate, D shape to be used with CL	432202145091
CLM/C-P18/11-C	Clamp, pin bend mounted	432202145151
CLM/TP-P18/11-TZ	Clamp, self locking, with ground pin	432202106751
CON-P18/11	Container	432202102841
CP-P18/11-1S	Coil former, termoplastic	432202102381
CP-P18/11-1S-A	Coil former, termoplastic	433500026071
CP-P18/11-2S	Coil former, termoplastic	432202102391
CP-P18/11-3S	Coil former, termoplastic	432202102401
CP-P18/11-3S-A	Coil former, termoplastic	433500026091
CPV-P18/11-1S-6PDL	Coil former, termoplastic, vertical	433506026441
CPV-P18/11-1S-6PD-Z	Coil former, termoplastic, vertical	433506026431
CPV-P18/11-2S-6PD-Z	Coil former, termoplastic, vertical	433506026451
CPV-P18/11-3S-6PD-Z	Coil former, termoplastic, vertical	433506026471
SPR-P18/11	Spring	432202130641
TGP-P18/11-C	Tag plante	432202104271
WAS-CLM/C+S-P18/11	Washer, phenolformaldehyde (PF) to b	433500045161
WAS-CLM/TP-P18/11	Washer, phenolformaldehyde (PF) to b	433500026181