



Chipsmall Limited consists of a professional team with an average of over 10 year of expertise in the distribution of electronic components. Based in Hongkong, we have already established firm and mutual-benefit business relationships with customers from,Europe,America and south Asia,supplying obsolete and hard-to-find components to meet their specific needs.

With the principle of “Quality Parts,Customers Priority,Honest Operation,and Considerate Service”,our business mainly focus on the distribution of electronic components. Line cards we deal with include Microchip,ALPS,ROHM,Xilinx,Pulse,ON,Everlight and Freescale. Main products comprise IC,Modules,Potentiometer,IC Socket,Relay,Connector.Our parts cover such applications as commercial,industrial, and automotives areas.

We are looking forward to setting up business relationship with you and hope to provide you with the best service and solution. Let us make a better world for our industry!



Contact us

Tel: +86-755-8981 8866 Fax: +86-755-8427 6832

Email & Skype: info@chipsmall.com Web: www.chipsmall.com

Address: A1208, Overseas Decoration Building, #122 Zhenhua RD., Futian, Shenzhen, China



**CQ-2334****High-Speed Small Current Sensor**

1. General Description

CQ-2334 is an open-type current sensor using a Hall sensor which outputs the analog voltage proportional to the AC/DC current. Quantum well ultra-thin film InAs (Indium Arsenide) is used as the Hall sensor, which enables the high-accuracy and high-speed current sensing. Simple AI-Shell package with the Hall sensor, magnetic core, and primary conductor realizes the space-saving and high reliability.

2. Features

- Bidirectional type
- Electrical isolation between the primary conductor and the sensor signal
- 5V single supply operation
- Ratiometric output
- Low variation and low temperature drift of sensitivity and offset voltage
- Low noise output: 1.2mVrms (typ.)
- Fast response time: 1 μ s (typ.)
- Small-sized package, halogen free
- Standards: IEC/UL 60950-1, UL 508, CSA C22.2 No. 14
IEC 62109 (certification pending)



3. Table of Contents

1. General Description	1
2. Features	1
3. Table of Contents	2
4. Block Diagram and Functions	3
5. Output Characteristics	4
6. Pin Configurations and Functions	4
7. Safety Standards	5
8. Absolute Maximum Ratings	5
9. Recommended Operating Conditions	5
10. Electrical Characteristics	6
11. Characteristics Definitions	7
12. Recommended External Circuits	9
13. Package	10
14. Reliability Tests	13
15. Precautions	14
IMPORTANT NOTICE	15

4. Block Diagram and Functions

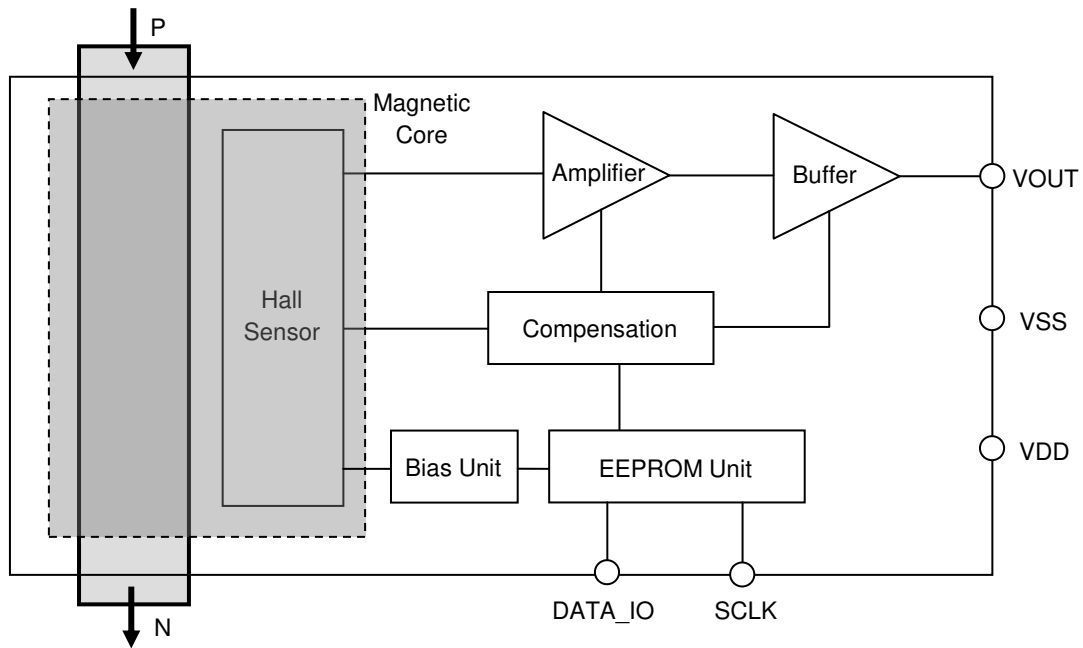


Figure 1. Functional block diagram of CQ-2334

Table 1. Explanation of circuit block

Circuit Block	Function
Hall Sensor	Hall element which detects magnetic flux density generated from the measured current.
Amplifier	Amplifier of Hall element's output.
Buffer	Output buffer with gain. This block outputs the voltage (V_{OUT}) proportional to the current applied to the primary conductor.
Compensation	Compensation circuit which adjusts the temperature drifts of sensitivity and offset voltage.
Bias Unit	Drive circuit for the Hall element.
EEPROM Unit	Non-volatile memory for setting adjustment parameters. The parameters are set before the shipment.
Magnetic Core	Magnetic core which gathers the magnetic flux density to the Hall element.

5. Output Characteristics

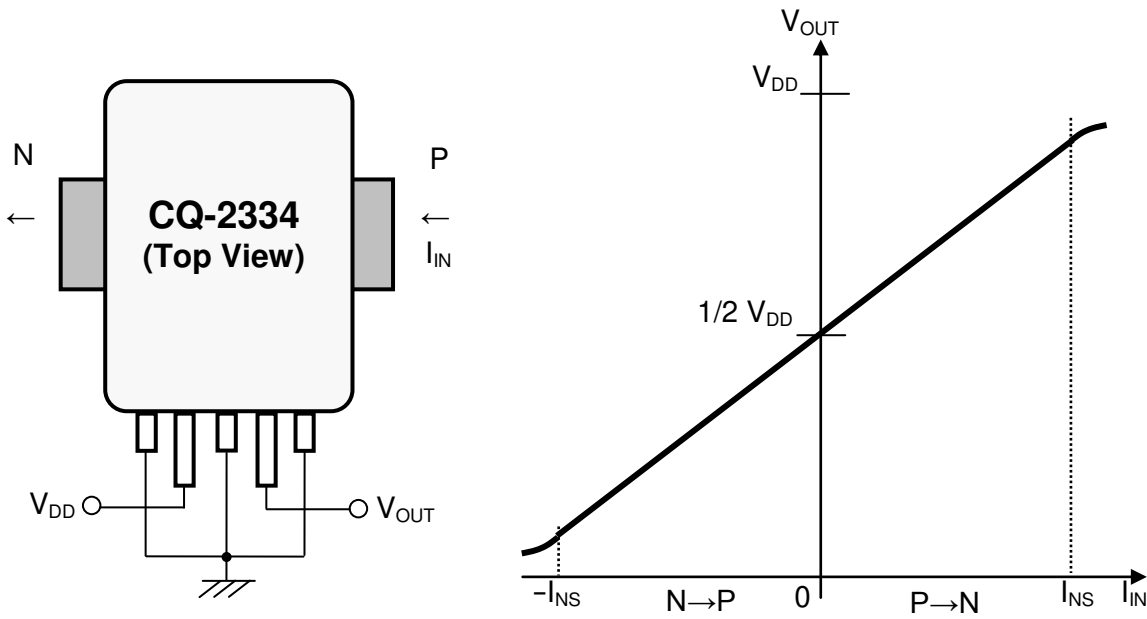


Figure 2. Output characteristics of CQ-2334

6. Pin Configurations and Functions

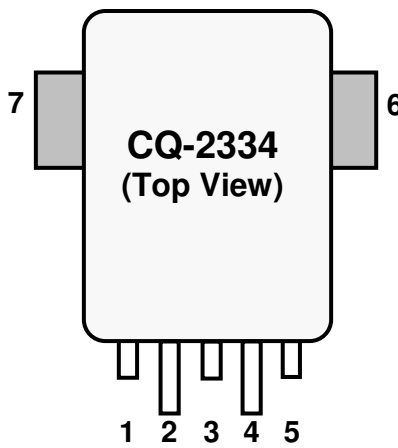


Figure 3. Pin assignment of CQ-2334

Table 2. Pin configuration and functions of CQ-2334

No.	Pin Name	I/O	Description
1	DATA_IO	-	Test pin (connect to ground)
2	VDD	PWR	Power supply pin (5V)
3	VSS	GND	Ground pin (0V)
4	VOUT	O	Analog output pin
5	SCLK	-	Test pin (connect to ground)
6	P	I	Primary current pin (+)
7	N	I	Primary current pin (-)

7. Safety Standards

- IEC/UL 60950-1 – Information Technology Equipment – Edition 2. (File No.E359197)
- UL 508 – Industrial Control Equipment – Edition 17. (File No. E353882)
- CAN/CSA C22.2 No. 14-10 – Industrial Control Equipment – Edition 12.(File No. E353882)

8. Absolute Maximum Ratings

Table 3. Absolute maximum ratings

Parameter	Symbol	Min.	Max.	Units	Notes
Supply Voltage	V _{DD}	-0.3	6.5	V	VDD pin
Analog Output Current	I _{OUT}	-1	1	mA	VOUT pin
Storage Temperature	T _{stg}	-40	150	°C	

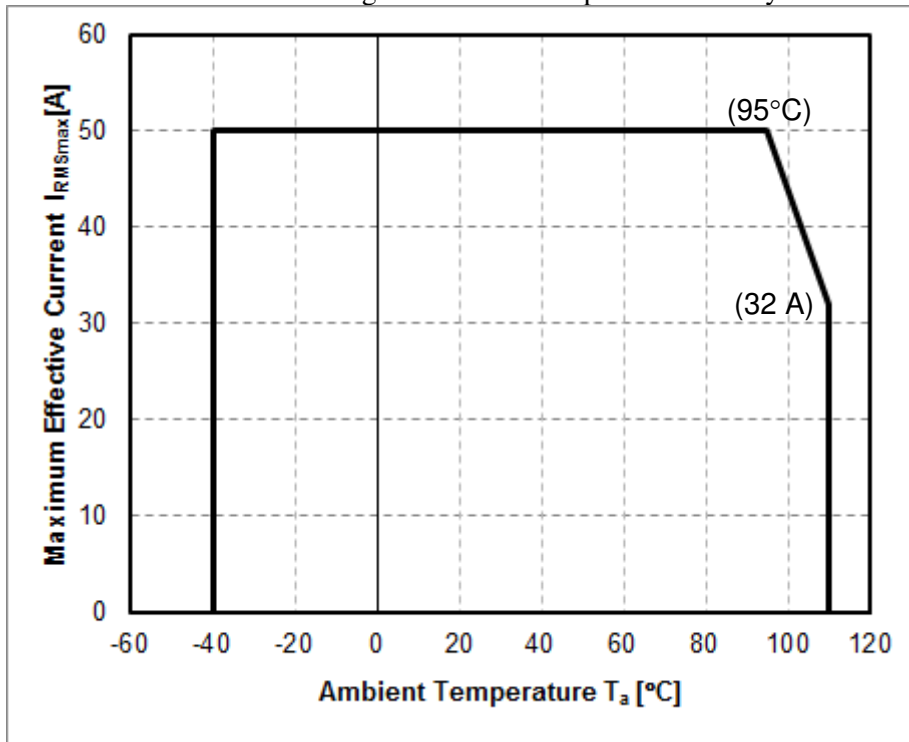
WARNING: Operation at or beyond these limits may result in permanent damage to the device. Normal operation is not guaranteed at these extremes.

9. Recommended Operating Conditions

Table 4. Recommended operating conditions

Parameter	Symbol	Min.	Typ.	Max.	Units	Notes
Supply Voltage	V _{DD}	4.5	5.0	5.5	V	
Analog Output Current	I _{OUT}	-0.5		0.5	mA	VOUT pin
Output Load Capacitance	C _L			100	pF	VOUT pin
Operating Ambient Temperature	T _a	-40		110	°C	See Figure 4

WARNING: Electrical characteristics are not guaranteed when operated at or beyond these conditions.



- Conditions:
- Mounted on the test board complying with the EIA/JEDEC Standards (EIA/JESD51-xx.)
 - VDD=5.5V

Figure 4. Primary current derating curve of CQ-2334

NOTE) Cooling or thermal radiation will improve the derating curve above.

10. Electrical Characteristics

Table 5. Electrical characteristicsConditions (unless otherwise specified): $T_a = 25^\circ\text{C}$, $V_{DD} = 5\text{V}$

Parameter	Symbol	Conditions	Min.	Typ.	Max.	Units
Maximum Primary Current (RMS)	I_{RMSmax}		-50		50	A
Current Consumption	I_{DD}	No loads		8.3	11	mA
Sensitivity (Note 1)	V_h	See Figure 5	39.6	40.0	40.4	mV/A
Offset Voltage (Note 1)	V_{of}	$I_{\text{IN}} = 0\text{A}$	2.480	2.500	2.520	V
Linear Sensing Range	I_{NS}		-54		54	A
Linearity Error (Note 1)	ρ	See Figure 5	-1		1	%F.S.
Rise Response Time	t_r	$C_L = 100\text{pF}$ See Figure 8		1		μs
Fall Response Time	t_f	$C_L = 100\text{pF}$ See Figure 8		1		μs
Bandwidth	f_T	-3dB, $C_L = 100\text{pF}$		300		kHz
Output Noise (Note 2)	V_{Nrms}	100Hz to 4MHz		1.2		mVrms
Temperature Drift of Sensitivity	$V_{h\text{-dmax}}$	$T_a = -40$ to 110°C See Figure 6		± 0.5		%
Temperature Drift of Offset Voltage	$V_{\text{of-dmax}}$	$T_a = -40$ to 110°C , $I_{\text{IN}} = 0\text{A}$ See Figure 7		± 8		mV
Ratiometric Error of Sensitivity (Note 2)	$V_{h\text{-R}}$	$V_{\text{DD}} = 4.5\text{V}$ to 5.5V	-1		1	%
Ratiometric Error of Offset Voltage (Note 2)	$V_{\text{of-R}}$	$V_{\text{DD}} = 4.5\text{V}$ to 5.5V $I_{\text{IN}} = 0\text{A}$	-0.5		0.5	%F.S.
Total Accuracy (Note 3)	E_{TO}	$T_a = -40$ to 110°C		1.3		%F.S.
Primary Conductor Resistance	R_1			100		$\mu\Omega$
Isolation Voltage (Note 2)	V_{INS}	AC 50/60Hz, 60sec	3			kV
Isolation Resistance (Note 2)	R_{INS}	DC 1kV	500			$\text{M}\Omega$
Clearance Distance (Note 2)	d_{CL}	between the primary and the secondary	13.3			mm
Creepage Distance (Note 2)	d_{CP}	between the primary and the secondary	13.3			mm

Note 1. These parameters can drift by the values in 14. Reliability Tests after the reflow and over the lifetime of this product.

Note 2. These parameters are guaranteed by design.

Note 3. Total accuracy E_{TO} is calculated by the equation below.

$$E_{\text{TO}} = |100 \times (V_{h\text{-meas}} - V_h) / V_h| + |100 \times (V_{\text{of-meas}} - V_{\text{of-meas}_35}) / (V_h \times |I_{\text{NS}}| \times 2 /)| + |\rho_{\text{meas}}|$$

where $V_{h\text{-meas}}$ [mV/A], $V_{\text{of-meas}}$ [mV], ρ_{meas} [%F.S.] represent the measured value of sensitivity, offset voltage and linearity error respectively, V_h [mV/A] represent the typical value of sensitivity, and $V_{\text{of-meas}_35}$ [mV] represent the measured value of offset voltage at $T_a = 35^\circ\text{C}$. In the case of CQ-2334, E_{TO} is calculated by the equation as below.

$$E_{\text{TO}} = |100 \times (V_{h\text{-meas}} - 40) / 40| + |100 \times (V_{\text{of-meas}} - V_{\text{of-meas}_35}) / (40 \times 54 \times 2 /)| + |\rho_{\text{meas}}|$$

11. Characteristics Definitions

11.1. Sensitivity V_h [mV/mT], Offset Voltage V_{of} [V]

Sensitivity is defined as the slope of the approximate straight line calculated by the least square method, using the data of V_{OUT} voltage (V_{OUT}) when the primary current (I_{IN}) is swept within the range of linear sensing range (I_{NS}). Offset voltage is defined as the intercept of the approximate straight line above.

11.2. Linearity Error ρ [%F.S.]

Linearity error is defined as the ratio of the maximum error voltage (V_d) to the full scale (F.S.), where V_d is the maximum difference between the V_{OUT} voltage (V_{OUT}) and the approximate straight line calculated in the sensitivity and offset voltage definition. Definition formula is shown in below:

$$\rho = V_d / \text{F.S.} \times 100$$

Full scale (F.S.) is defined by the multiplication of sensitivity V_h and linear sensing range $I_{NS}(\text{max}) - I_{NS}(\text{min})$ (Figure 5).

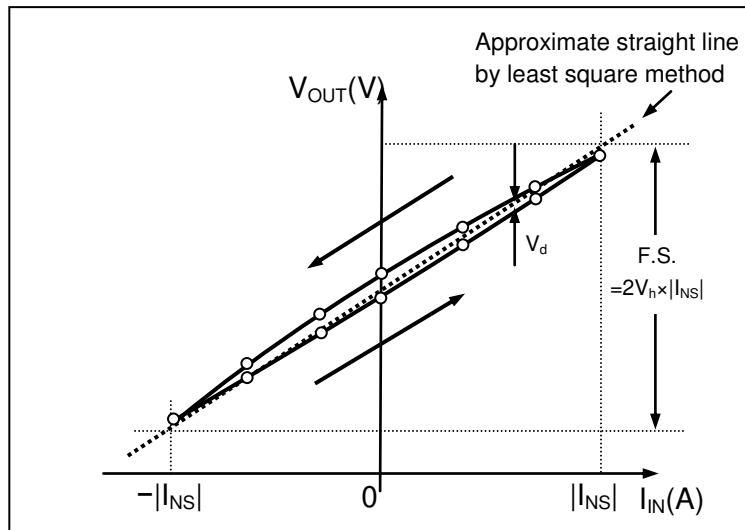


Figure 5. Output characteristics of CQ-2334

11.3. Ratiometric Error of Sensitivity V_{h-R} [%], Ratiometric Error of Offset Voltage V_{of-R} [%]

Output of CQ-2334 is ratiometric, which means the values of sensitivity (V_h) and offset voltage (V_{of}) are proportional to the supply voltage (V_{DD}). Ratiometric error is defined as the difference between the V_h (or V_{of}) and ideal V_h (or V_{of}) when the V_{DD} is changed from 5V to V_{DD1} ($4.5V \leq V_{DD1} \leq 5.5V$). Definition formula is shown in below:

$$V_{h-R} = 100 \times \{ (V_h(V_{DD} = V_{DD1}) / V_h(V_{DD} = 5V)) - (V_{DD1} / 5) \} / (V_{DD1} / 5)$$

$$V_{of-R} = 100 \times \{ V_{of}(V_{DD} = V_{DD1}) - V_{of}(V_{DD} = 5V) \times (V_{DD1} / 5) \} / \text{F.S.}$$

Full scale (F.S.) is defined by the multiplication of sensitivity V_h and linear sensing range $I_{NS}(\text{max}) - I_{NS}(\text{min})$ in the condition of $V_{DD} = 5V$ (Figure 5).

11.4. Temperature Drift of Sensitivity V_{h-d} [%]

Temperature drift of sensitivity is defined as the drift ratio of the sensitivity (V_h) at $T_a = T_{a1}$ ($-40^\circ\text{C} \leq T_{a1} \leq 110^\circ\text{C}$) to the V_h at $T_a = 35^\circ\text{C}$, and calculated from the formula below:

$$V_{h-d} = 100 \times (V_h(T_{a1}) / V_h(35^\circ\text{C}) - 1)$$

Reference data of the temperature drift of sensitivity of CQ-2334 is shown in Figure 6.

11.5. Temperature Drift of Offset Voltage V_{of-d} [mV]

Temperature drift of offset voltage is defined as the drift value between the offset voltage (V_{of}) at $T_a=T_{a1}$ ($-40^{\circ}\text{C} \leq T_{a1} \leq 110^{\circ}\text{C}$) and the V_{of} at $T_a=35^{\circ}\text{C}$, and calculated from the formula below:

$$V_{of-d} = V_{of}(T_a = T_{a1}) - V_{of}(T_a = 35^{\circ}\text{C})$$

Reference data of the temperature drift of offset voltage of CQ-2334 is shown in Figure 7.

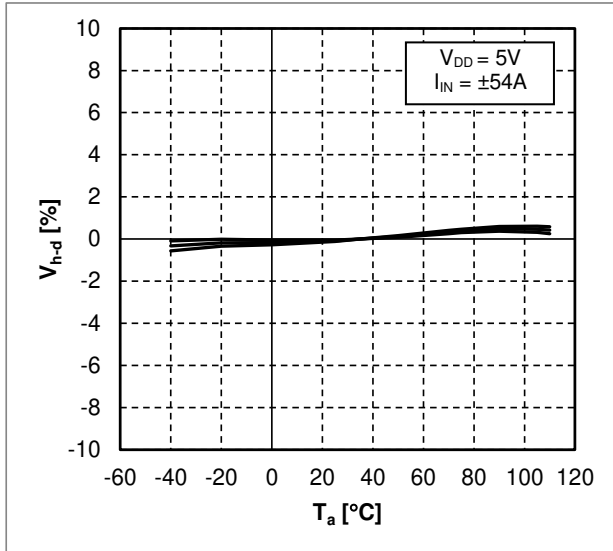


Figure 6. Temperature drift of sensitivity (for reference, n=3)

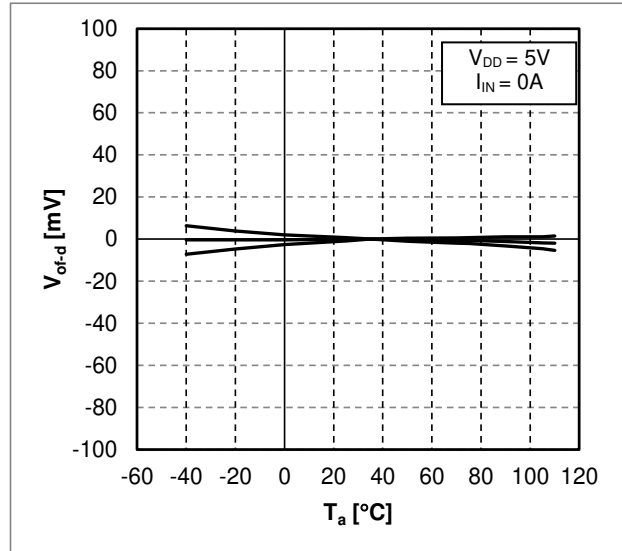


Figure 7. Temperature drift of offset voltage (for reference, n=3)

11.6. Rise Response Time t_r [μs], Fall Response Time t_f [μs]

Rise response time (or fall response time) is defined as the time delay from the 90% (or 10%) of input primary current (I_{IN}) to the 90% (or 10%) of the V_{OUT} voltage (V_{OUT}) under the pulse input of primary current (Figure 8).

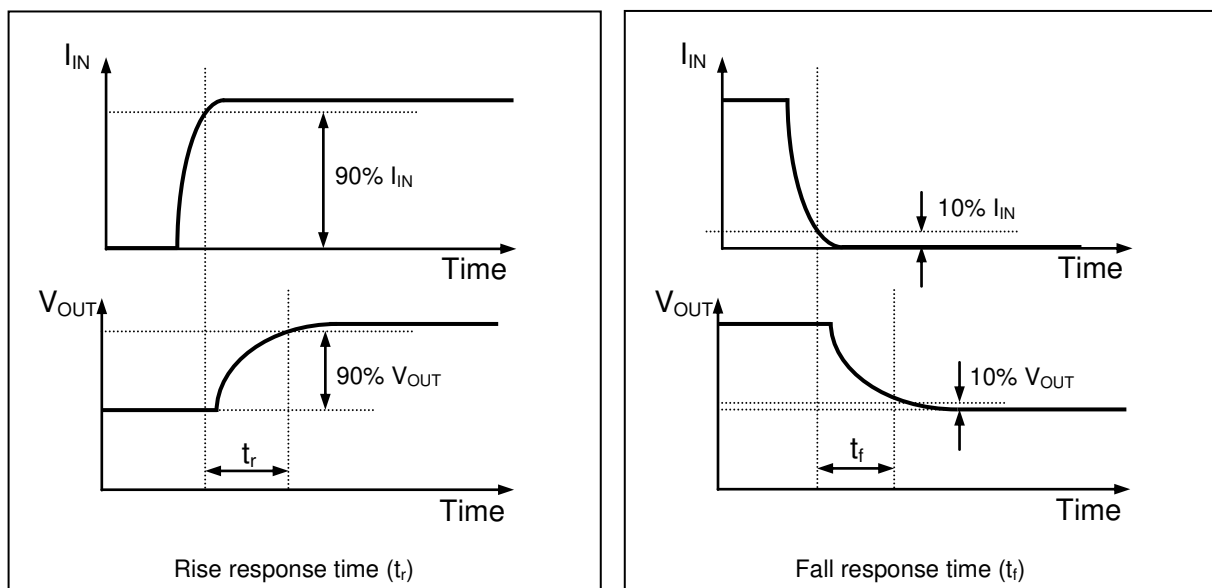
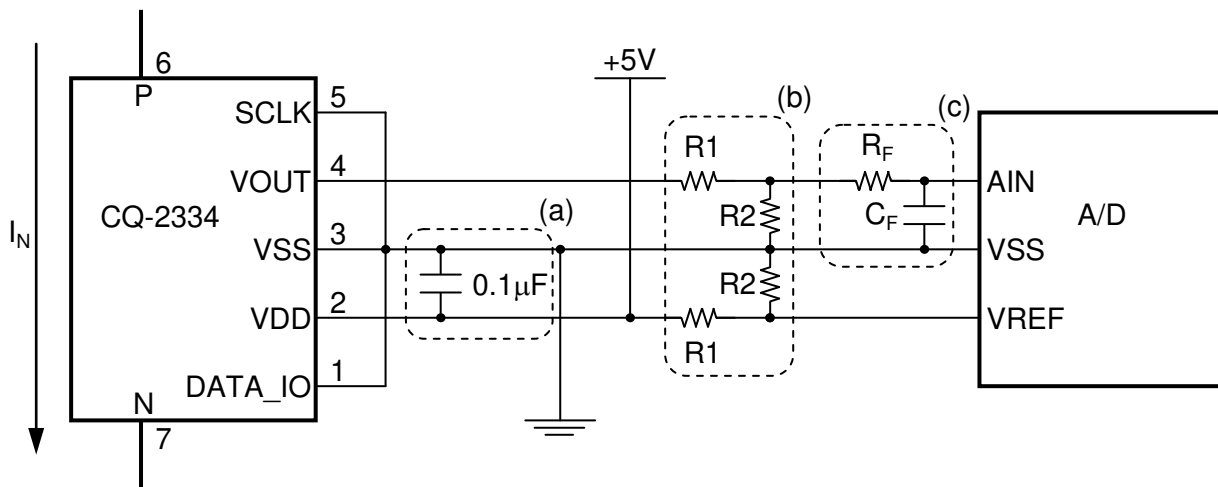


Figure 8. Definition of response time

12. Recommended External Circuits

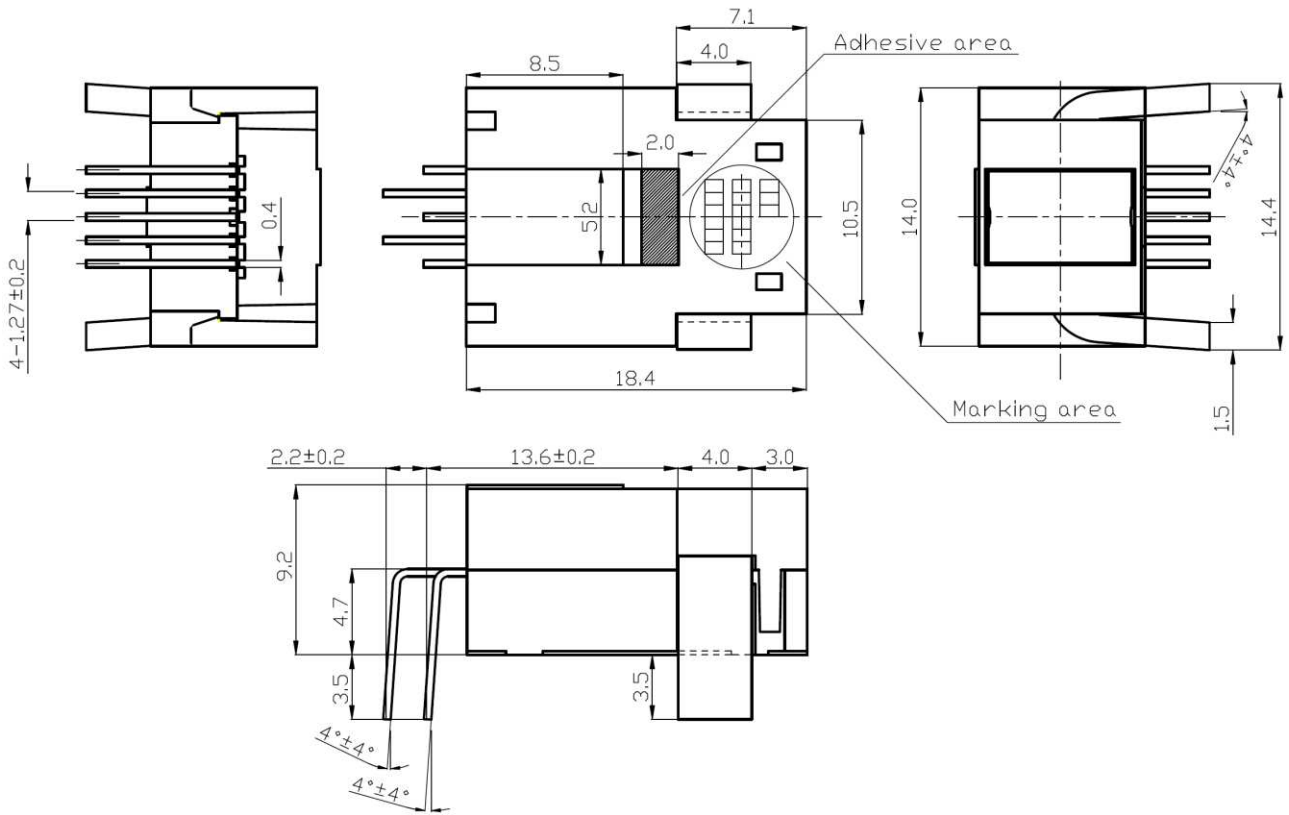


- (a) $0.1\mu\text{F}$ bypass capacitor should be placed near by the CQ-2334.
- (b) CQ-2334 has the ratiometric output. By making the supply voltage of CQ-2334 and the reference voltage of A/D converter common, the A/D conversion error caused by the fluctuation of supply voltage is decreased.
Voltage dividers (R1 and R2) are required if the reference voltage of A/D converter is less than +5V. For example, if the reference voltage of A/D converter is +3.3V which is its supply voltage level, R1=20k Ω , R2=39k Ω are recommended. If the reference voltage of A/D converter is different from its supply voltage level, one more voltage divider is required.
- (c) Add a low-pass filter if it is necessary.

Figure 9. Recommended external circuits of CQ-2334 (When using A/D converter)

13. Package

13.1. Outline Dimensions



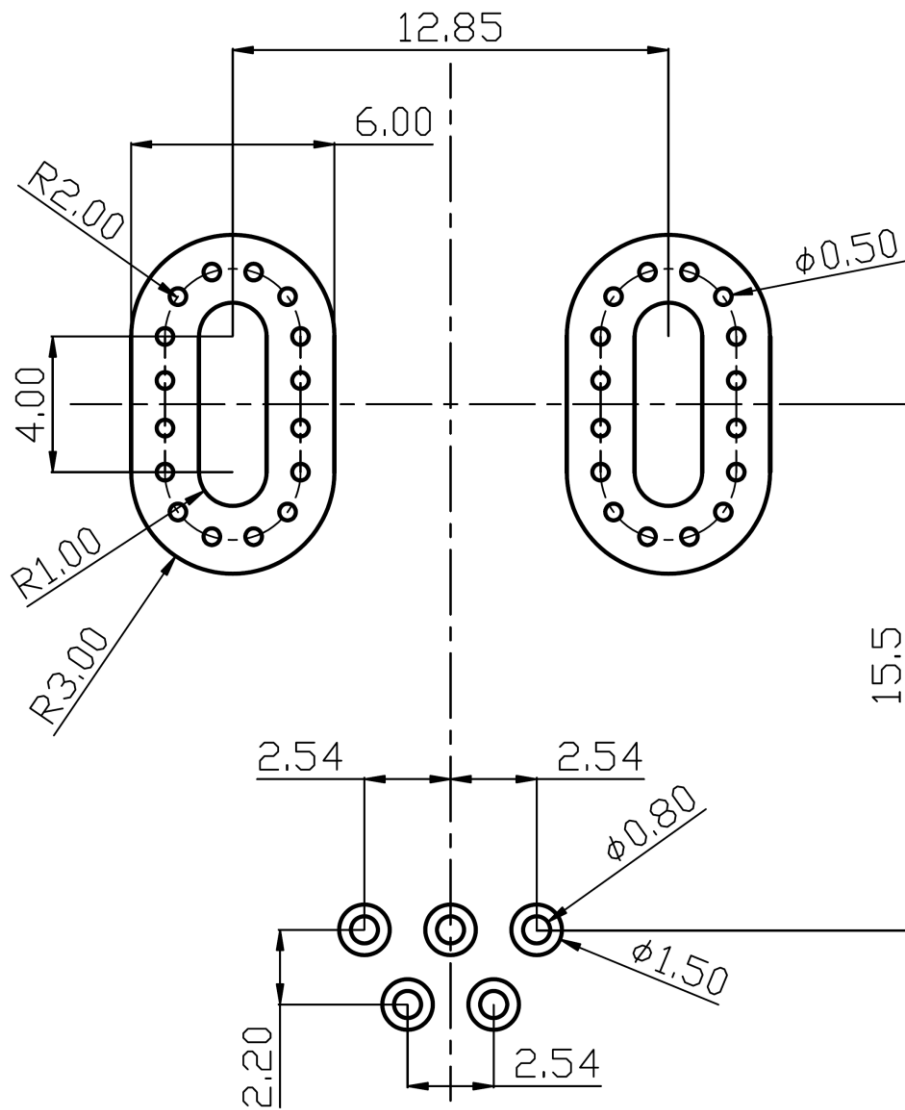
Unit: mm

The tolerances of dimensions without any mention are ± 0.1 mm.

Terminals: Cu
 Plating for Terminals: Sn (100%)
 RoHS compliant, halogen free

Figure 10. Package outline

13.2. Pad Dimension



Unit: mm

Figure 11. Recommended land pattern

If 2 or more trace layers are used as the current paths, please make enough number of through-holes to flow current between the trace layers.

13.3 Marking

Production information is printed on the package surface by laser marking. Markings consist of 15 characters (company logo ‘AKM’ and 6 characters × 2 lines).

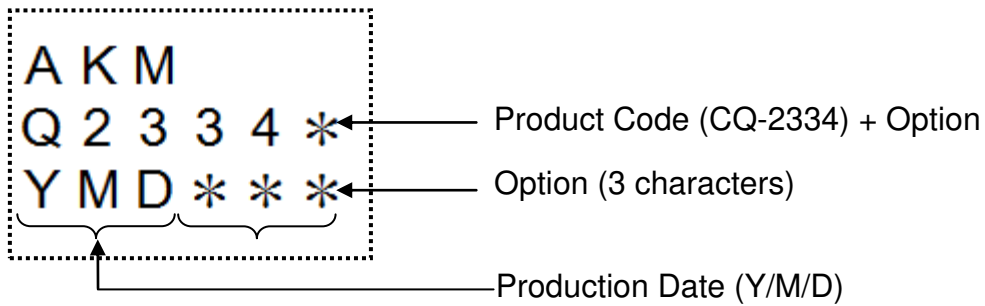


Figure 12. Markings of CQ-2334

Table 6. Production date code table

Last Number of Year		Month		Day	
Character	Number	Character	Month	Character	Day
0	0	C	Jan.	1	1
1	1	D	Feb.	2	2
2	2	E	Mar.	3	3
3	3	F	Apr.	4	4
4	4	G	May.	5	5
5	5	H	Jun.	6	6
6	6	J	Jul.	7	7
7	7	K	Aug.	8	8
8	8	L	Sep.	9	9
9	9	M	Oct.	0	10
		N	Nov.	A	11
		P	Dec.	B	12
				C	13
				D	14
				E	15
				F	16
				G	17
				H	18
				J	19
				K	20
				L	21
				N	22
				P	23
				R	24
				S	25
				T	26
				U	27
				V	28
				W	29
				X	30
				Y	31

14. Reliability Tests

Table 7. Test parameters and conditions of reliability tests

No.	Test Parameter	Test Conditions	n	Test Time
1	High Humidity Bias Test	[JEITA EIAJ ED-4701 102] $T_a = 85^\circ\text{C}$, 85%RH, continuous operation	22	1000h
2	High Temperature Bias Test	[JEITA EIAJ ED-4701 101] $T_a = 125^\circ\text{C}$, continuous operation	22	1000h
3	High Temperature Storage Test	[JEITA EIAJ ED-4701 201] $T_a = 150^\circ\text{C}$	22	1000h
4	Low Temperature Storage Test	[JEITA EIAJ ED-4701 202] $T_a = -65^\circ\text{C}$	22	1000h
5	Heat Cycle Test	[JEITA EIAJ ED-4701 105] $-65^\circ\text{C} \leftrightarrow 150^\circ\text{C}$ 30min. \leftrightarrow 30min. Tested in vapor phase	22	500 cycles
6	Vibration Test	[JEITA EIAJ ED-4701 403] Vibration frequency: 10 to 55Hz (1min.) Vibration amplitude: 1.5mm (x, y, z directions)	5	2hours to each direction

Tested samples are pretreated as below before each reliability test:

Pretreating Conditions:

Desiccation: $125^\circ\text{C}/24\text{h}$ \rightarrow Moisture Absorption: $85^\circ\text{C}/85\%\text{RH}/168\text{h}$ \rightarrow Reflow: 3 times (JEDEC MSL1)

Criteria:

Products whose drifts before and after the reliability tests do not exceed the values below are considered to be in spec.

Sensitivity $V_h(T_a = 25^\circ\text{C})$: Within $\pm 1.5\%$
Offset Voltage $V_{of}(T_a = 25^\circ\text{C})$: Within $\pm 100\text{mV}$
Linearity $\rho(T_a = 25^\circ\text{C})$: Within $\pm 1\%\text{F.S.}$
EEPROM	: No change

15. Precautions

[Storage Environment]

Products should be stored at an appropriate temperature and humidity (5 to 35°C, 40 to 85%RH).
Keep products away from chlorine and corrosive gas.

[Long-term Storage]

Long-term storage may result in poor lead solderability and degraded electrical performance even under proper conditions. For those parts, which stored long-term shall be checked solderability before it is used. For storage longer than 2 years, it is recommended to store in nitrogen atmosphere. Oxygen of atmosphere oxidizes leads of products and lead solderability get worse.

[Other precautions]

- 1) This product should not be used under the environment with corrosive gas including chlorine or sulfur.
- 2) This product is lead (Pb) free. All leads are plated with 100% tin. Do not store this product alone in high temperature and high humidity environment. Moreover, this product should be mounted on substrate within six months after delivery.
- 3) This product is damaged when it is used on the following conditions:
 - Supply voltage is applied in the opposite way.
 - Overvoltage which is larger than the value indicated in the specification.
- 4) This product will be damaged if it is used for a long time with the current (effective current) which exceeds the current rating. Careful attention must be paid so that maximum effective current is smaller than current rating.
- 5) Since magnetic cores are fragile parts, do not use the fallen products.
- 6) The characteristic can change by the influences of nearby current and magnetic field. Please make sure of the mounting position.

As this product contains gallium arsenide, observe the following procedures for safety.

- 1) Do not alter the form of this product into a gas, powder, liquid, through burning, crushing, or chemical processing.
- 2) Observe laws and company regulations when discarding this product.

IMPORTANT NOTICE

0. Asahi Kasei Microdevices Corporation (“AKM”) reserves the right to make changes to the information contained in this document without notice. When you consider any use or application of AKM product stipulated in this document (“Product”), please make inquiries the sales office of AKM or authorized distributors as to current status of the Products.
1. All information included in this document are provided only to illustrate the operation and application examples of AKM Products. AKM neither makes warranties or representations with respect to the accuracy or completeness of the information contained in this document nor grants any license to any intellectual property rights or any other rights of AKM or any third party with respect to the information in this document. You are fully responsible for use of such information contained in this document in your product design or applications. **AKM ASSUMES NO LIABILITY FOR ANY LOSSES INCURRED BY YOU OR THIRD PARTIES ARISING FROM THE USE OF SUCH INFORMATION IN YOUR PRODUCT DESIGN OR APPLICATIONS.**
2. The Product is neither intended nor warranted for use in equipment or systems that require extraordinarily high levels of quality and/or reliability and/or a malfunction or failure of which may cause loss of human life, bodily injury, serious property damage or serious public impact, including but not limited to, equipment used in nuclear facilities, equipment used in the aerospace industry, medical equipment, equipment used for automobiles, trains, ships and other transportation, traffic signaling equipment, equipment used to control combustions or explosions, safety devices, elevators and escalators, devices related to electric power, and equipment used in finance-related fields. Do not use Product for the above use unless specifically agreed by AKM in writing.
3. Though AKM works continually to improve the Product’s quality and reliability, you are responsible for complying with safety standards and for providing adequate designs and safeguards for your hardware, software and systems which minimize risk and avoid situations in which a malfunction or failure of the Product could cause loss of human life, bodily injury or damage to property, including data loss or corruption.
4. Do not use or otherwise make available the Product or related technology or any information contained in this document for any military purposes, including without limitation, for the design, development, use, stockpiling or manufacturing of nuclear, chemical, or biological weapons or missile technology products (mass destruction weapons). When exporting the Products or related technology or any information contained in this document, you should comply with the applicable export control laws and regulations and follow the procedures required by such laws and regulations. The Products and related technology may not be used for or incorporated into any products or systems whose manufacture, use, or sale is prohibited under any applicable domestic or foreign laws or regulations.
5. Please contact AKM sales representative for details as to environmental matters such as the RoHS compatibility of the Product. Please use the Product in compliance with all applicable laws and regulations that regulate the inclusion or use of controlled substances, including without limitation, the EU RoHS Directive. AKM assumes no liability for damages or losses occurring as a result of noncompliance with applicable laws and regulations.
6. Resale of the Product with provisions different from the statement and/or technical features set forth in this document shall immediately void any warranty granted by AKM for the Product and shall not create or extend in any manner whatsoever, any liability of AKM.
7. This document may not be reproduced or duplicated, in any form, in whole or in part, without prior written consent of AKM.