



Chipsmall Limited consists of a professional team with an average of over 10 year of expertise in the distribution of electronic components. Based in Hongkong, we have already established firm and mutual-benefit business relationships with customers from,Europe,America and south Asia,supplying obsolete and hard-to-find components to meet their specific needs.

With the principle of “Quality Parts,Customers Priority,Honest Operation,and Considerate Service”,our business mainly focus on the distribution of electronic components. Line cards we deal with include Microchip,ALPS,ROHM,Xilinx,Pulse,ON,Everlight and Freescale. Main products comprise IC,Modules,Potentiometer,IC Socket,Relay,Connector.Our parts cover such applications as commercial,industrial, and automotives areas.

We are looking forward to setting up business relationship with you and hope to provide you with the best service and solution. Let us make a better world for our industry!



Contact us

Tel: +86-755-8981 8866 Fax: +86-755-8427 6832

Email & Skype: info@chipsmall.com Web: www.chipsmall.com

Address: A1208, Overseas Decoration Building, #122 Zhenhua RD., Futian, Shenzhen, China





Crocodile Clips

M
I
S
C
E
L
L
A
N
E
O
U
S



CR0005
CR0043



CR0041



CR0007
CR0008



CR0018



CR0025
CR0026
CR0028



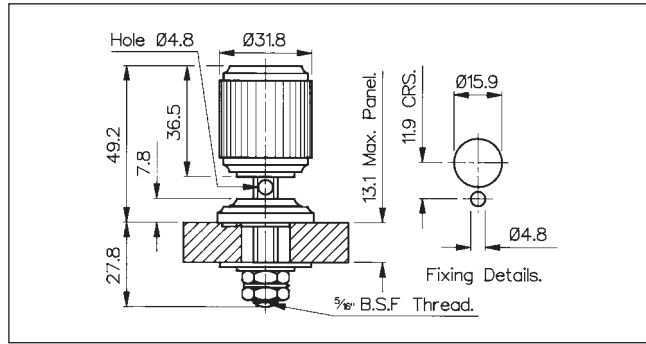
CR0060



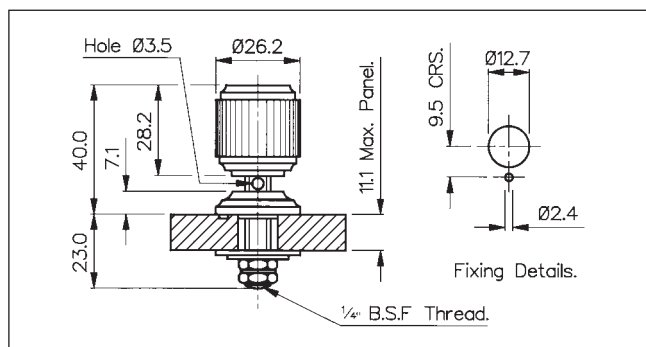
Data	List No.	CR0005, CR0043.	CR0007, CR0008.	CR0018
Type:		General Purpose, non-insulated.	General Purpose with coloured sleeves. CR0007: Red, CR0008: Black.	Heavy Duty, straight jaws.
Max. Rating:		5A.	5A.	25A.
Material:		CR0005 Steel, Bright Zinc Passivated. CR0043 Nickel \ Bright Self-Finish.	Clip: Steel, Bright Zinc Passivated. Sleeves: PVC.	Steel, Tin Dipped.
Size:		Overall length 42.0, jaws grip Ø8.4.	Overall length 44.0, jaws grip Ø6.0.	Overall length 58.7, jaws grip Ø12.7.
Data	List No.	CR0025, CR0026, CR0028.	CR0041.	CR0060
Type:		Heavy Duty, curved jaws. CR0025 "-", CR0026 "+", CR0028 unmarked.	Fine Wire Clip.	2 Terminal Clip, for 4 terminal bridge application.
Max. Rating:		25A.	5A.	10A.
Size:		Overall length 58.7 jaws grip Ø14.5 (at point of jaw). Ø19.0 (at centre).	Overall length 42.0.	Overall Length: 42.0. Jaws Grip: Ø8.0.
Material:		Steel, Tin Dipped.	Nickel Silver, Self Finish.	Moulding: Glass Filled Nylon. Contacts: Brass, Silver Plated.



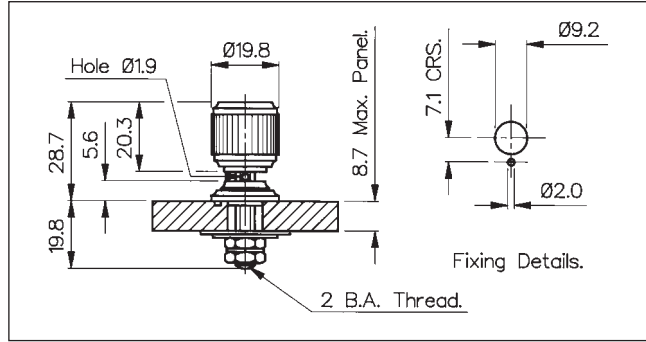
TX0100



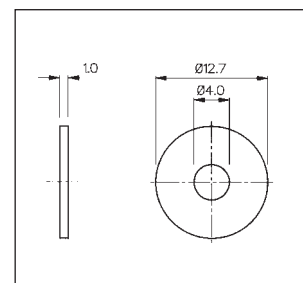
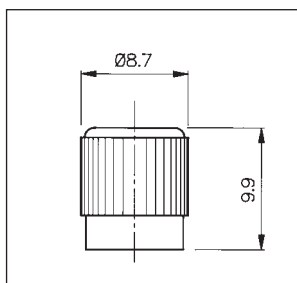
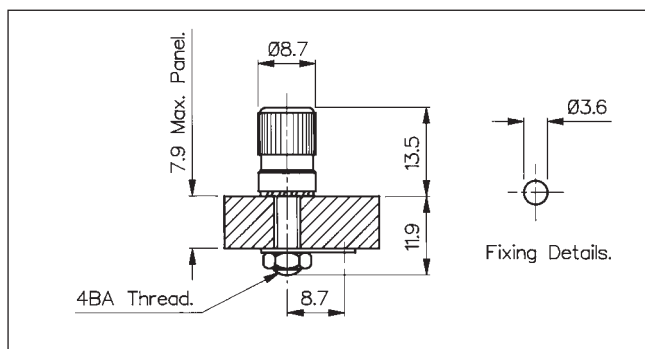
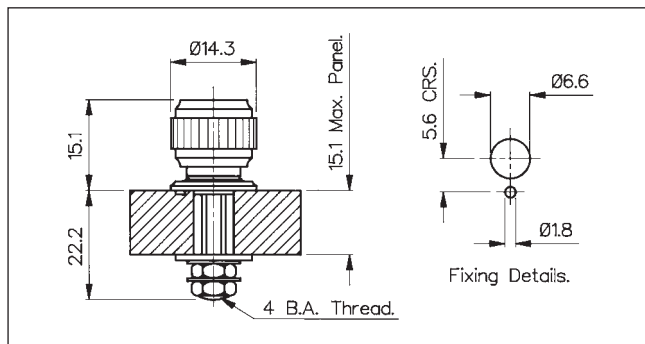
TX0101



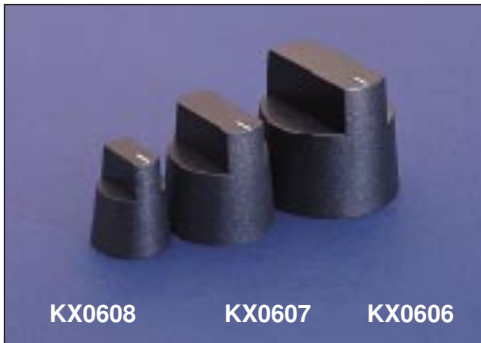
TX0102



Data	List No.	TX0100	TX0101	TX0102
Type:		Black, non-captive head. Insulated from panel.	Black, non-captive head. Insulated from panel.	Black, non-captive head. Insulated from panel.
Max. Rating:		60A.	30A.	15A.
Breakdown Voltage:		3.5kV a.c. (to panel)	3kV a.c. (to panel)	2kV a.c. (to panel)
Temperature Range:		-20°C to + 60°C.	-20°C to + 60°C.	-20°C to + 60°C.
Material:		Moulding: High Impact Polystyrene. Terminal Head Insert: Brass, Self Finish. Washer Insert: Brass, Nickel Plated.	Moulding: High Impact Polystyrene. Terminal Head Insert: Brass, Self Finish. Washer Insert: Brass, Nickel Plated.	Moulding: High Impact Polystyrene. Terminal Head Insert: Brass, Self Finish. Washer Insert: Brass, Nickel Plated.
Variants:		For Red add / RD to List No.	For Red add / RD to List No.	For Red add / RD to List No.



Data \ List No.	TX0103	TX0002	PNo. 268, PNo. 4035
Type:	Black, non-captive head. Insulated from panel.	Black, non-captive head. LIVE to panel.	Moulded terminal head. PNo. 268 - black, 4BA thread. PNo. 4035 - red, 6BA thread.
Max. Rating:	7.5A.	5A.	
Breakdown Voltage:	1kV a.c. (to panel).		
Temperature Range:	-20°C to + 60°C.		
Material:	Moulding: High Impact Polystyrene. Terminal Head Insert: Brass, Self Finish. Washer Insert: Brass, Nickel Plated.	Moulding: Phenolic. Stem and Collar: Brass, Nickel Plated. Tag: Brass, Tin Plated.	Moulding: Phenolic. Insert: Brass, Self Finish.
Variants:	For Red add / RD to List No.	Insulating washer PNo.834 (flat).	



Data \ List No.	KX0606	KX0607	KX0608	KX0370	KX0370 & KX0372	
Ø:	14.0	21.0	28.1	31.8	47.6	
Height:	16.5	20.3	24.1	14.3	17.5	
Shaft:	Ø: 6.4 Length: 8.9	Ø: 6.4 Length: 9.3	Ø: 6.4 Length: 22.6	Ø: 6.4 Length: 9.5	Ø: 6.4 Length: 12.8	
Nut Recess:	Ø: 11.0 Depth: 2.4	Ø: 17.5 Depth: 2.8	Ø: 24.5 Depth: 2.8		Ø: 18.3 Depth: 3.2	
Radius to Pointer:				19.8		
Fixing:	Slotted head grub screw. (Allen key to agreed order).					
Mouldings:	Thermoplastic.	Thermoplastic.	Thermoplastic.	Phenolic.	Phenolic.	
Inserts:	Brass, Nickel Plated.	Brass, Nickel Plated.	Brass, Nickel Plated.	Brass, Nickel Plated.	Brass, Nickel Plated.	
Grub Screws:	Steel, Zinc Passivated.	Steel, Zinc Passivated.	Steel, Zinc Passivated.	Steel, Zinc Passivated.	Steel, Zinc Passivated.	
Variants:	Other shafts, colours and indicator lines (/ IL) may be available to agreed order.					



Grub Screw & Collet Fixing

M
I
S
C
E
L
L
A
N
E
O
U
S



Data	List No.	KX0107	KX0357				
Ø:							
Height:		12.7	15.9				
Shaft:		Ø: 6.4 Length: 9.5	Ø: 6.4 Length: 11.9				
Nut Recess:		Ø: 14.3 Depth: 1.6	Ø: 15.9 Depth: 2.4				
Radius to Pointer:		15.9	15.9				
Decor Discs:							
Fixing:		Slotted head grub screw. (Allen key to agreed order).					
Mouldings:		Phenolic.	Phenolic.				
Inserts:		Brass, Nickel Plated.	Brass, Nickel Plated.				
Grub Screws:		Steel, Zinc Passivated.	Steel, Zinc Passivated.				
Variants:		Other shafts, colours and indicator lines (/ IL) may be available to agreed order.					