



Chipsmall Limited consists of a professional team with an average of over 10 year of expertise in the distribution of electronic components. Based in Hongkong, we have already established firm and mutual-benefit business relationships with customers from,Europe,America and south Asia,supplying obsolete and hard-to-find components to meet their specific needs.

With the principle of “Quality Parts,Customers Priority,Honest Operation,and Considerate Service”,our business mainly focus on the distribution of electronic components. Line cards we deal with include Microchip,ALPS,ROHM,Xilinx,Pulse,ON,Everlight and Freescale. Main products comprise IC,Modules,Potentiometer,IC Socket,Relay,Connector.Our parts cover such applications as commercial,industrial, and automotives areas.

We are looking forward to setting up business relationship with you and hope to provide you with the best service and solution. Let us make a better world for our industry!



## Contact us

Tel: +86-755-8981 8866 Fax: +86-755-8427 6832

Email & Skype: info@chipsmall.com Web: www.chipsmall.com

Address: A1208, Overseas Decoration Building, #122 Zhenhua RD., Futian, Shenzhen, China



**ENERGIZER CR2450**

**Lithium Coin**



**Specifications**

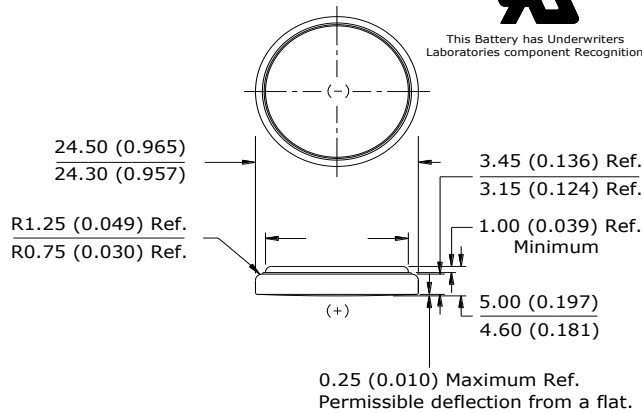
**Classification:** "Lithium Coin"  
**Chemical System:** Lithium / Manganese Dioxide (Li/MnO<sub>2</sub>)  
**Designation:** ANSI / NEDA-5029LC, IEC-CR2450  
**Nominal Voltage:** 3.0 Volts  
**Typical Capacity:** 620 mAh (to 2.0 volts)  
 (Rated at 7.5K ohms at 21°C)  
**Typical Weight:** 6.8 grams (0.22 oz.)  
**Typical Volume:** 2.4 cubic centimeters (0.14 cubic inch)  
**Max Rev Charge:** 1 microampere  
**Energy Density:** 183 milliwatt hr/g, 647 milliwatt hr/cc  
**Typical Li Content:** 0.47 grams (0.017 oz.)  
**UL Listed:** MH12454

**Industry Standard Dimensions**

mm (inches)



This Battery has Underwriters Laboratories component Recognition



**Safety:**



**(1) KEEP OUT OF REACH OF CHILDREN.** Swallowing may lead to serious injury or death in as little as 2 hours due to chemical burns and potential perforation of the esophagus. **Immediately see doctor; have doctor phone (202) 625-3333.**

**(2) Battery compartment design.** To prevent children from removing batteries, battery compartments should be designed with one of the following methods: a) a tool such as screwdriver or coin is required to open battery compartment or b) the battery compartment door/cover requires the application of a minimum of two independent and simultaneous movements of the securing mechanism to open by hand. Screws should remain captive with the battery door or cover.

**Simulated Application test**

Typical Performance at 21°C (70°F)

Schedule:	Typical Drains: at 2.9V (mA)	Load (ohms)	Cutoff 2.0V (hours)
Continuous	0.39	7,500	1,590

**Internal Resistance Characteristics**

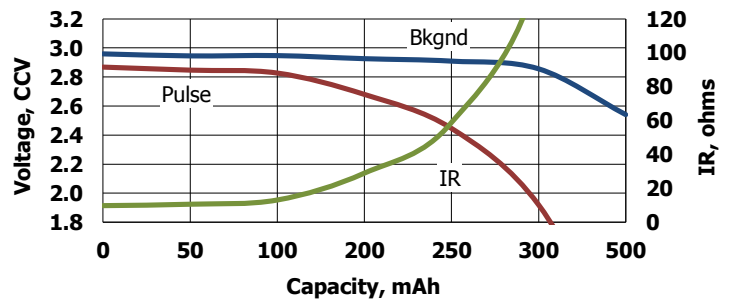
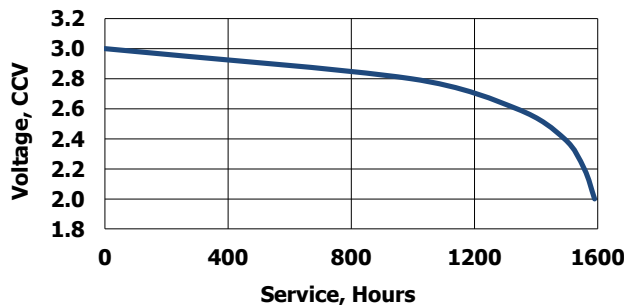
Pulse Test at 21°C (70°F)

**Bkgnd Drain:** Continuous  
7.5K ohms  
0.39 mA @2.9V

**Pulse Drain:** 2 seconds X 12 times/day  
300 ohms  
9.0 mA @2.7V

**Typical Discharge Characteristics**

Load: 7.5K ohms - Continuous  
Typical Drain @ 2.9V: 0.39 mA



**Important Notice**

This datasheet contains typical information specific to products manufactured at the time of its publication.  
 ©Energizer Holdings, Inc. - Contents herein do not constitute a warranty.