



Chipsmall Limited consists of a professional team with an average of over 10 year of expertise in the distribution of electronic components. Based in Hongkong, we have already established firm and mutual-benefit business relationships with customers from,Europe,America and south Asia,supplying obsolete and hard-to-find components to meet their specific needs.

With the principle of “Quality Parts,Customers Priority,Honest Operation,and Considerate Service”,our business mainly focus on the distribution of electronic components. Line cards we deal with include Microchip,ALPS,ROHM,Xilinx,Pulse,ON,Everlight and Freescale. Main products comprise IC,Modules,Potentiometer,IC Socket,Relay,Connector.Our parts cover such applications as commercial,industrial, and automotives areas.

We are looking forward to setting up business relationship with you and hope to provide you with the best service and solution. Let us make a better world for our industry!



Contact us

Tel: +86-755-8981 8866 Fax: +86-755-8427 6832

Email & Skype: info@chipsmall.com Web: www.chipsmall.com

Address: A1208, Overseas Decoration Building, #122 Zhenhua RD., Futian, Shenzhen, China



True RMS AC Current Transducer

DIN RAIL / PANEL MOUNT, TRUE RMS



Single Element - 0.79" Window
0.5 to 150 AAC Input Range



Two Element - 0.26" Window
0.5 to 30 AAC Input Range



Three Element - 0.26" Window
0.5 to 30 AAC Input Range

The **CR4100** Series True RMS Current Transducers and Transmitters are designed for applications where AC current waveforms are not purely sinusoidal. More precise and accurate than other transducers, these devices are ideal in chopped wave and phase fired control systems.

Applications

Phase fired controlled heaters
Quickly varying motor loads
Chopped wave form drivers
Harmonic currents

Features

35mm DIN Rail or Panel Mount
Available with 0 - 5 VDC or 4 - 20 mADC outputs
24 VDC powered
Use with external current transformers
Highest precision available
Connection diagram printed on case

Regulatory Agencies

Approved to UL3111-1, First Edition, Amendment 2
Approved to CAN/CSA-C22.2, No. 1010.1-92
Meets requirement of IEC 61010-1 and BS EN 61010-1



All single element current transducers are available in split core design.
Simply put an "S" at the end of the prefix*
* UL Recognition Pending

□ Add suffix for input range

- .5** - 0-.5 AAC *
- 5** - 0- 5 AAC *
- 10** - 0-10 AAC *
- 15** - 0-15 AAC *
- 20** - 0-20 AAC *
- 25** - 0-25 AAC *
- 30** - 0-30 AAC *
- 40** - 0-40 AAC
- 50** - 0-50 AAC
- 75** - 0-75 AAC
- 100** - 0-100 AAC
- 150** - 0-150 AAC

other ranges available

PART NUMBERS

CR4110(S)	-	Single element with 0 - 5 VDC output (split core design)
CR4111(S)	-	Single element with 0 - 10 VDC output (split core design)
CR4120(S)	-	Single element with 4 - 20 mADC output (split core design)
CR4150	-	Two element with 0 - 5 VDC output *
CR4160	-	Two element with 4 to 20 mADC output *
CR4170	-	Three element with 0 - 5 VDC output *
CR4180	-	Three element with 4 - 20 mADC output *

*Two and three element transducers are available only in ranges of 0.5 to 30 AAC



Another HUNTINGTON ELECTRIC Company

CR Magnetics, Inc. 3500 Scarlet Oak Blvd. St. Louis MO USA 63122 V: 636-343-8518 F: 636-343-5119

Web: <http://www.crmagnetics.com>

E-mail: sales@crmagnetics.com

Transducers

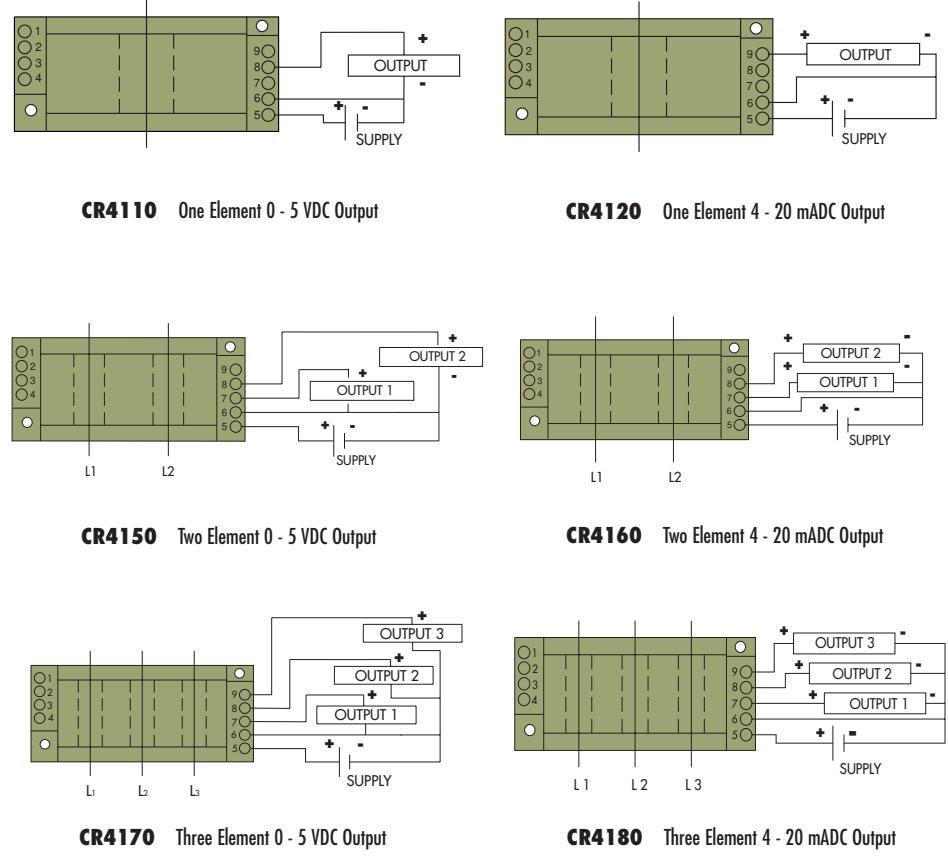
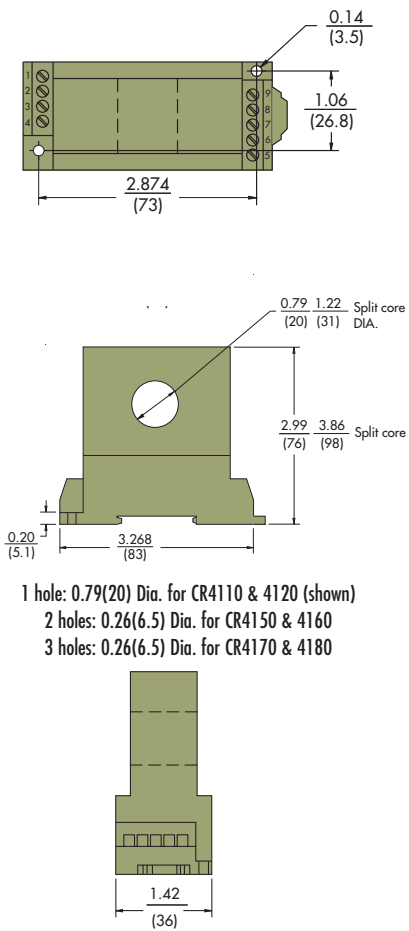
True RMS AC Current Transducer

DIN RAIL / PANEL MOUNT, TRUE RMS

SPECIFICATIONS

Basic Accuracy:.....	0.5%	Response Time:.....	250 ms max. 0-90%
Calibration:.....	True RMS Sensing	FS Relative Humidity:.....	80% for temperatures up to 31°C and decreasing linearly to 50% at 40°C
Thermal Drift:.....	500 PPM/°C	Torque Specs:.....	3.0 inch lbs. (0.4Nm)
Operating Temperature:.....	0°C to +60°C	Weight:.....	0.5 lbs.
Installation Category:.....	CAT II	Supply Current:	
Pollution Degree:.....	2	CR4110/11.....	Typical 15mA Max 25mA
Insulation Voltage:.....	2500 VDC	CR4120.....	Typical 25mA Max 40mA
Altitude:.....	2000 meter max.	CR4150.....	Typical 25mA Max 75mA
Frequency Range:.....	20 Hz - 5 KHz	CR4160.....	Typical 40mA Max 70mA
MTBF:.....	Greater than 100 K hours	CR4170.....	Typical 20mA Max 60mA
Cleaning:.....	Water-dampened cloth	CR4180.....	Typical 55mA Max 110mA
Supply Voltage:.....	24 VDC ± 10%	CR4110S.....	Typical 15mA Max 25mA
Output Load:.....	4-20 mA DC - 0 to 300 0-5 VDC - 2K Ω or Greater	CR4120S.....	Typical 25mA Max 40mA

Transducers



OUTLINE DRAWING

CONNECTION DIAGRAM

NOTE: The building installation must have a switch or circuit-breaker that is in close proximity and within easy reach of the operator. The switch or circuit breaker shall be marked as the disconnecting device for the equipment.



Another HUNTINGTON ELECTRIC Company

CR Magnetics, Inc. 3500 Scarlet Oak Blvd. St. Louis MO USA 63122 V: 636-343-8518 F: 636-343-5119

Web: <http://www.crmagnetics.com>

E-mail: sales@crmagnetics.com