



Chipsmall Limited consists of a professional team with an average of over 10 year of expertise in the distribution of electronic components. Based in Hongkong, we have already established firm and mutual-benefit business relationships with customers from,Europe,America and south Asia,supplying obsolete and hard-to-find components to meet their specific needs.

With the principle of “Quality Parts,Customers Priority,Honest Operation,and Considerate Service”,our business mainly focus on the distribution of electronic components. Line cards we deal with include Microchip,ALPS,ROHM,Xilinx,Pulse,ON,Everlight and Freescale. Main products comprise IC,Modules,Potentiometer,IC Socket,Relay,Connector.Our parts cover such applications as commercial,industrial, and automotives areas.

We are looking forward to setting up business relationship with you and hope to provide you with the best service and solution. Let us make a better world for our industry!



## Contact us

Tel: +86-755-8981 8866 Fax: +86-755-8427 6832

Email & Skype: info@chipsmall.com Web: www.chipsmall.com

Address: A1208, Overseas Decoration Building, #122 Zhenhua RD., Futian, Shenzhen, China



# DC Current Transducer

## DIN RAIL / PANEL MOUNT, RMS



Single Element - .79" Window  
2 to 300 ADC Input Range



Single Element - 1.2" Window  
20 to 300 ADC Input Range

The **CR5200** Series, DC Current Transducers are designed to provide a DC signal which is proportional to a DC sensed current. These devices are designed for direct current only, targeting them towards general and daily applications. The ranges 2 to 10 Amp utilize an advanced Magnetic Modulator technology and the ranges 20 amps and above utilize Hall Effect technology.

### Applications

Battery chargers and systems  
DC motor drives  
Power supply management  
Mobile applications

### Features

Closed loop sensing for accuracy  
35mm DIN rail or panel mount  
Available with  $\pm 5$  VDC,  $\pm 10$  VDC or 4 - 20 mADC outputs  
Non-contact DC current sensing  
Connection diagram printed on case

### Regulatory Agencies



All single element current transducers are available in split core design.  
Simply put an "S" at the end of the prefix

PART NUMBERS			
CR5210(S)	-		Single Element with $\pm 5$ VDC output (split core design)
CR5211(S)	-		Single Element with $\pm 10$ VDC output (split core design)
CR5220(S)	-		Single Element with 4 - 20 mADC output (split core design)
NOTE: DC Split Core Transducers Available in 20 Amps and Higher			
NOTE: CR5200 Series is available with 12V Power Supply. Use same application as 24V Power Supply.			
Example Part Number: CR5210-300-12.			

Add suffix for input range

- 2** - 0-2 ADC
  - 5** - 0-5 ADC
  - 10** - 0-10 ADC
  - 20** - 0-20 ADC
  - 30** - 0-30 ADC
  - 50** - 0-50 ADC
  - 75** - 0-75 ADC
  - 100** - 0-100 ADC
  - 150** - 0-150 ADC
  - 300** - 0-300 ADC
- Ranges available up to and including 600 ADC



Another HUNTINGTON ELECTRIC Company

CR Magnetics, Inc. 3500 Scarlet Oak Blvd. St. Louis MO USA 63122 V: 636-343-8518 F: 636-343-5119

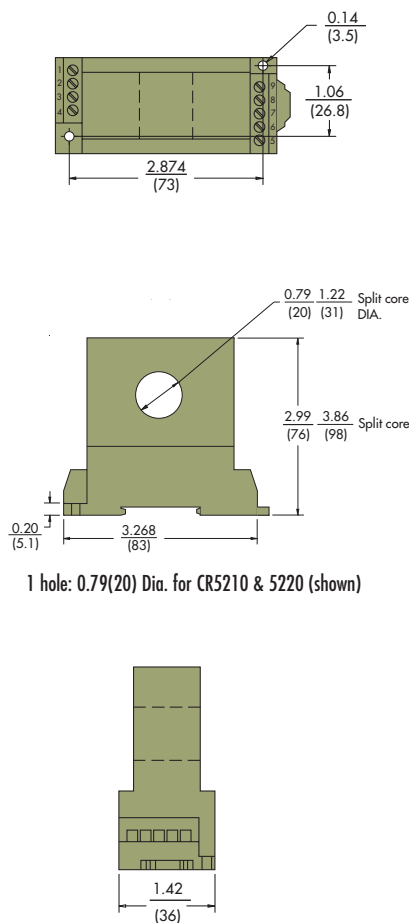
Web: <http://www.crmagnetics.com>

E-mail: [sales@crmagnetics.com](mailto:sales@crmagnetics.com)

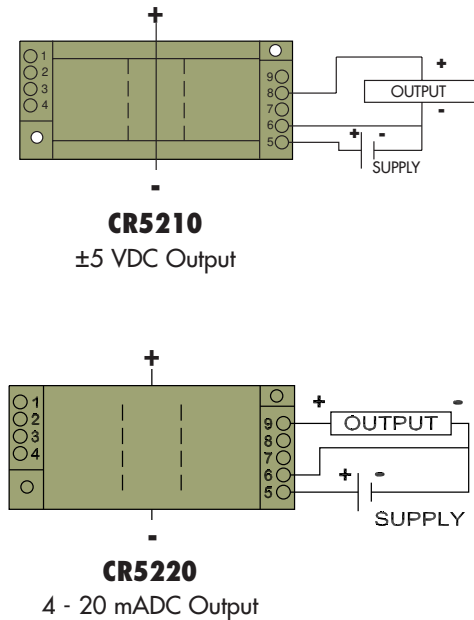
C  
Transducers

### SPECIFICATIONS

Basic Accuracy:.....	1.0 %	Output Load:.....	$\pm 5$ or $\pm 10$ VDC.....	2 K $\Omega$ or greater
Thermal Drift:.....	500 PPM/ $^{\circ}$ C		4-20 mADC.....	0 - 300 $\Omega$
Operating Temperature:.....	0 $^{\circ}$ C to +50 $^{\circ}$ C	Supply Current:		
Response Time: .....	250 ms. max.,0-90% FS	CR5210:.....	Typical 35mA	Max 40mA
Insulation Voltage:.....	2500 VDC	CR5210S:.....	Typical 30mA	Max 35mA
Supply Voltage:.....	24 VDC $\pm 10\%$	CR5220:.....	Typical 60mA	Max 100mA
Frequency Range:.....	DC only	CR5220S:.....	Typical 40mA	Max 50mA
MTBF:.....	Greater than 100 K hours	Torque Specs:.....	3.0 inch lbs. (0.4Nm)	
		Weight:.....	0.5 lbs.	



### OUTLINE DRAWING



### CONNECTION DIAGRAM

NOTE: The building installation must have a switch or circuit-breaker that is in close proximity and within easy reach of the operator. The switch or circuit breaker shall be marked as the disconnecting device for the equipment.

C Transducers

