



Chipsmall Limited consists of a professional team with an average of over 10 year of expertise in the distribution of electronic components. Based in Hongkong, we have already established firm and mutual-benefit business relationships with customers from,Europe,America and south Asia,supplying obsolete and hard-to-find components to meet their specific needs.

With the principle of “Quality Parts,Customers Priority,Honest Operation,and Considerate Service”,our business mainly focus on the distribution of electronic components. Line cards we deal with include Microchip,ALPS,ROHM,Xilinx,Pulse,ON,Everlight and Freescale. Main products comprise IC,Modules,Potentiometer,IC Socket,Relay,Connector.Our parts cover such applications as commercial,industrial, and automotives areas.

We are looking forward to setting up business relationship with you and hope to provide you with the best service and solution. Let us make a better world for our industry!



## Contact us

Tel: +86-755-8981 8866 Fax: +86-755-8427 6832

Email & Skype: info@chipsmall.com Web: www.chipsmall.com

Address: A1208, Overseas Decoration Building, #122 Zhenhua RD., Futian, Shenzhen, China

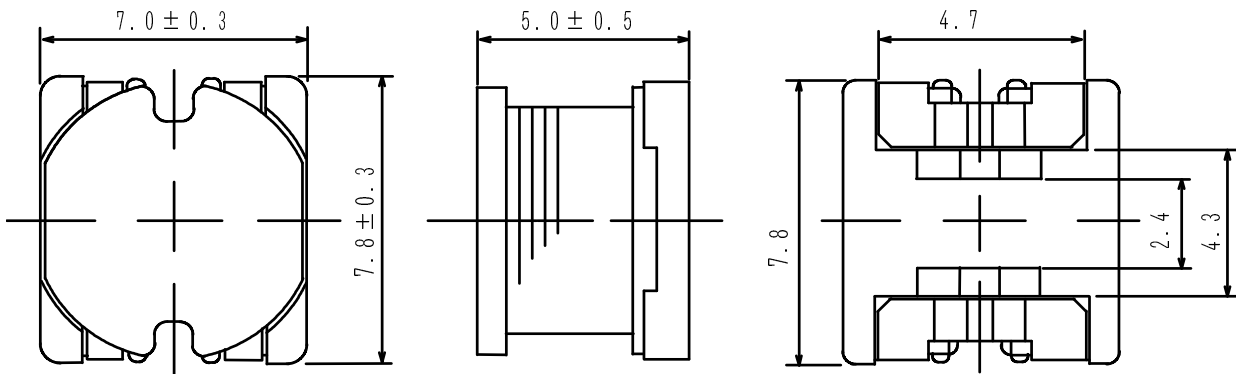
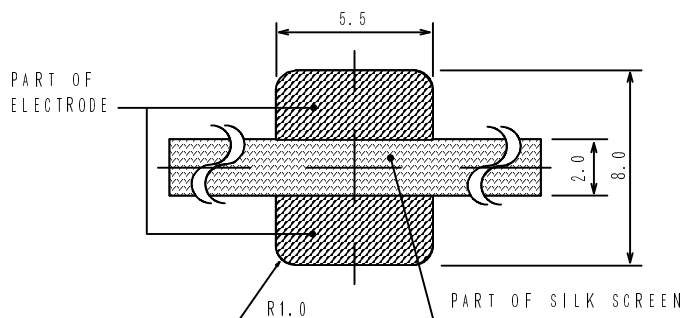


**Type: CR75**
**◆ Product Description**

- 8.1×7.3mm Max.(L×W), 5.5mm Max. Height.
- Inductance range: 1.2~470  $\mu$  H.
- Rated current range: 0.34~6.0A.
- In addition to the standard versions of inductors shown here, custom inductors are available to meet your exact requirements.


**◆ Feature**

- Magnetically unshielded construction.
- Storage temperature range: -40°C ~+100°C.
- Operating temperature range: -40°C ~+100°C (Including coil's self temperature rise).
- Ideally used in A/V equipment, LCD TV,DSC/DVC, Game Machine, DVC, HDD, Notebook PC, etc as DC-DC converter inductors.
- RoHS compliance.

**◆ Dimensions (mm)**

**◆ Land Pattern (mm)**


**Type: CR75**
**◆ Specification**

Part Name ※	Stamp	Inductance ( $\mu$ H) ※1	D.C.R. (m $\Omega$ ) [MAX.] (at 20°C)	Rated Current (A)※2	S.R.F. (MHz) [TYP.]
CR75NP-1R2M□	1R2M	1.2 $\pm$ 20%	15.6m	6.0	53.7
CR75NP-1R5M□	1R5M	1.5 $\pm$ 20%	17.0m	5.5	45.6
CR75NP-2R2M□	2R2M	2.2 $\pm$ 20%	19.5m	4.5	36.4
CR75NP-2R7M□	2R7M	2.7 $\pm$ 20%	22.1m	4.2	31.1
CR75NP-3R3M□	3R3M	3.3 $\pm$ 20%	24.7m	3.7	26.8
CR75NP-3R9M□	3R9M	3.9 $\pm$ 20%	27.3m	3.5	24.6
CR75NP-4R7M□	4R7M	4.7 $\pm$ 20%	30.0m	3.1	20.4
CR75NP-5R6M□	5R6M	5.6 $\pm$ 20%	32.5m	2.8	20.0
CR75NP-6R8M□	6R8M	6.8 $\pm$ 20%	36.4m	2.7	19.6
CR75NP-8R2M□	8R2M	8.2 $\pm$ 20%	41.6m	2.5	18.0
CR75NP-100K□	100K	10 $\pm$ 10%	0.07	2.3	28
CR75NP-120K□	120K	12 $\pm$ 10%	0.08	2.0	23
CR75NP-150K□	150K	15 $\pm$ 10%	0.09	1.8	22
CR75NP-180K□	180K	18 $\pm$ 10%	0.10	1.6	20
CR75NP-220K□	220K	22 $\pm$ 10%	0.11	1.5	17
CR75NP-270K□	270K	27 $\pm$ 10%	0.12	1.3	15
CR75NP-330K□	330K	33 $\pm$ 10%	0.13	1.2	15
CR75NP-390K□	390K	39 $\pm$ 10%	0.16	1.1	14
CR75NP-470K□	470K	47 $\pm$ 10%	0.18	1.1	13
CR75NP-560K□	560K	56 $\pm$ 10%	0.24	0.94	11
CR75NP-680K□	680K	68 $\pm$ 10%	0.28	0.85	11
CR75NP-820K□	820K	82 $\pm$ 10%	0.37	0.78	10
CR75NP-101K□	101K	100 $\pm$ 10%	0.43	0.72	9.2
CR75NP-121K□	121K	120 $\pm$ 10%	0.47	0.66	7.7
CR75NP-151K□	151K	150 $\pm$ 10%	0.64	0.58	6.1
CR75NP-181K□	181K	180 $\pm$ 10%	0.71	0.51	5.8
CR75NP-221K□	221K	220 $\pm$ 10%	0.96	0.49	5.2
CR75NP-271K□	271K	270 $\pm$ 10%	1.11	0.42	4.8
CR75NP-331K□	331K	330 $\pm$ 10%	1.26	0.40	4.3
CR75NP-391K□	391K	390 $\pm$ 10%	1.77	0.36	4.3
CR75NP-471K□	471K	470 $\pm$ 10%	1.96	0.34	3.8

Please refer to the sales offices on our website for a representative near you

**Type: CR75**
**※ Description of part name**

CR75NP-1R2M□

- B Box
- C Carrier Tape

※1: Measuring frequency: 1.2  $\mu$  H  $\sim$  8.2  $\mu$  H ; at 7.96 MHz  
 10  $\mu$  H  $\sim$  82  $\mu$  H ; at 2.52 MHz  
 100  $\mu$  H  $\sim$  470  $\mu$  H ; at 1 kHz

※2. Rated current: The D.C. current at which the inductance decreases to 90% of its initial value or when  $\Delta t=40^{\circ}\text{C}$ , whichever is lower ( $T_a=20^{\circ}\text{C}$ ).