



Chipsmall Limited consists of a professional team with an average of over 10 year of expertise in the distribution of electronic components. Based in Hongkong, we have already established firm and mutual-benefit business relationships with customers from,Europe,America and south Asia,supplying obsolete and hard-to-find components to meet their specific needs.

With the principle of “Quality Parts,Customers Priority,Honest Operation,and Considerate Service”,our business mainly focus on the distribution of electronic components. Line cards we deal with include Microchip,ALPS,ROHM,Xilinx,Pulse,ON,Everlight and Freescale. Main products comprise IC,Modules,Potentiometer,IC Socket,Relay,Connector.Our parts cover such applications as commercial,industrial, and automotives areas.

We are looking forward to setting up business relationship with you and hope to provide you with the best service and solution. Let us make a better world for our industry!



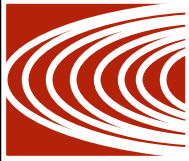
Contact us

Tel: +86-755-8981 8866 Fax: +86-755-8427 6832

Email & Skype: info@chipsmall.com Web: www.chipsmall.com

Address: A1208, Overseas Decoration Building, #122 Zhenhua RD., Futian, Shenzhen, China



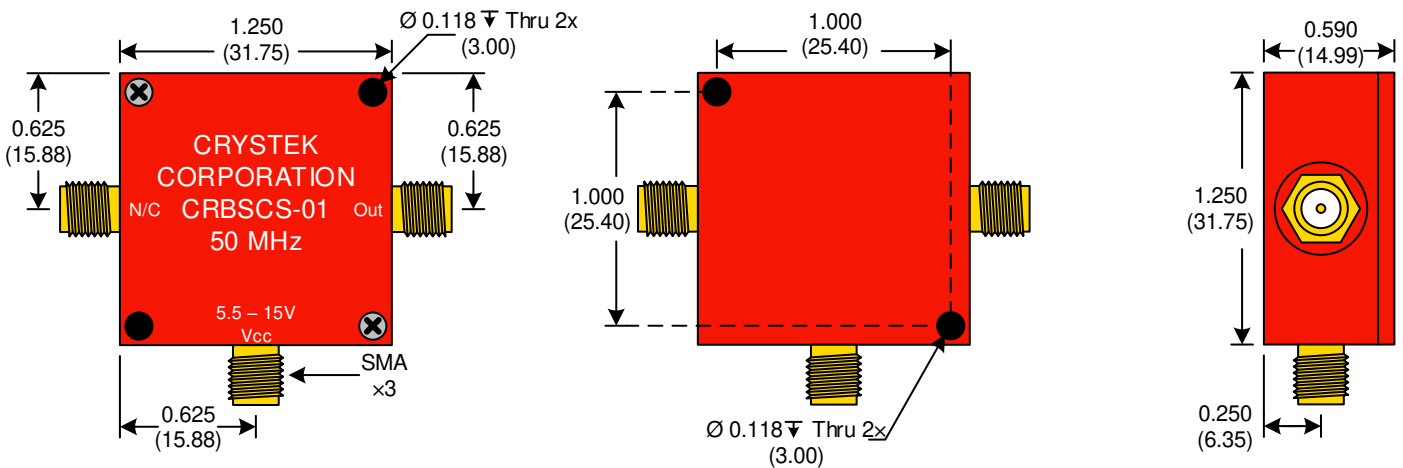


Frequency:	50.000 MHz
Temperature Range:	-40°C to 85°C
Input Voltage:	+5.5 V to +15 V
Input Current:	30 mA Max
Output:	TrueSineWave
Frequency Stability:	±25 ppm Max
Output Power:	+5 dBm Min, +7 dBm Max
Start-up Time:	2 ms Typical, 5 ms Max
Load:	50 Ω
2nd Harmonic:	-25 dBc Max
Sub-Harmonics:	None
Period Jitter: (20,000 periods)	<5 ps RMS (1-sigma) Max
Phase Jitter: 12 kHz ~ 20 MHz	<1 ps RMS (1-sigma) Max
50 kHz ~ 80 MHz	<1 ps RMS (1-sigma) Max
Phase Noise Typical: 10 Hz	-80 dBc/Hz
100 Hz	-115 dBc/Hz
1 kHz	-140 dBc/Hz
10 kHz	-155 dBc/Hz
100 kHz	-170 dBc/Hz
1 MHz	-170 dBc/Hz
Aging:	<3 ppm 1 st year, <1 ppm every year thereafter

FRONT

BACK

SIDE



● Unless otherwise specified, Dimensions are in: $\frac{IN}{(mm)}$

Product Control:

Crystek Part Number:	CRBSCS-01-50.000	Release Date:	13-Dec-2012
Revision Level:	A	Responsible:	C. Vales

