



Chipsmall Limited consists of a professional team with an average of over 10 year of expertise in the distribution of electronic components. Based in Hongkong, we have already established firm and mutual-benefit business relationships with customers from,Europe,America and south Asia,supplying obsolete and hard-to-find components to meet their specific needs.

With the principle of “Quality Parts,Customers Priority,Honest Operation,and Considerate Service”,our business mainly focus on the distribution of electronic components. Line cards we deal with include Microchip,ALPS,ROHM,Xilinx,Pulse,ON,Everlight and Freescale. Main products comprise IC,Modules,Potentiometer,IC Socket,Relay,Connector.Our parts cover such applications as commercial,industrial, and automotives areas.

We are looking forward to setting up business relationship with you and hope to provide you with the best service and solution. Let us make a better world for our industry!



Contact us

Tel: +86-755-8981 8866 Fax: +86-755-8427 6832

Email & Skype: info@chipsmall.com Web: www.chipsmall.com

Address: A1208, Overseas Decoration Building, #122 Zhenhua RD., Futian, Shenzhen, China



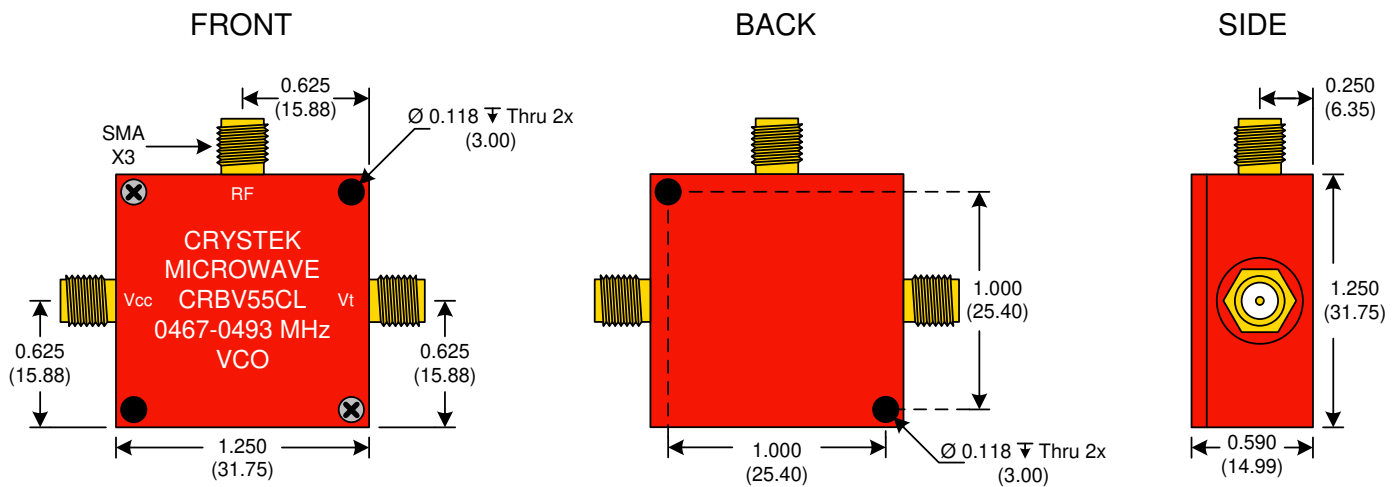


CRYSTEK
MICROWAVE
 A DIVISION OF CRYSTEK CORPORATION

RedBox VCO
 CRBV55CL-0467-0493



| PERFORMANCE SPECIFICATION | MIN | TYP | MAX | UNITS |
|---|------|------|------|--------------------|
| Lower Frequency: | | | 467 | MHz |
| Upper Frequency: | 493 | | | MHz |
| Tuning Voltage: | 0.5 | | 4.5 | VDC |
| Supply Voltage: | 4.75 | 5.0 | 5.25 | VDC |
| Output Power: | 0 | +3.0 | +6.0 | dBm |
| Supply Current: | | 15 | | mA |
| Harmonic Suppression (2 nd Harmonic) | | -12 | | dBc |
| Pushing: | | 0.5 | 2.0 | MHz/V |
| Pulling, all Phases: | | 1.0 | 2.0 | MHz pk-pk |
| Tuning Sensitivity: | | 15 | | MHz/V |
| Phase Noise @ 10kHz offset: | | -110 | | dBc/Hz |
| Phase Noise @ 100kHz offset: | | -129 | | dBc/Hz |
| Load Impedance: | | 50 | | Ω |
| Input Capacitance: | | | 100 | pF |
| Operating Temperature Range: | -40 | | +85 | $^{\circ}\text{C}$ |
| Storage Temperature Range: | -45 | | +90 | $^{\circ}\text{C}$ |



● Unless otherwise specified, Dimensions are in: $\frac{\text{IN}}{\text{mm}}$

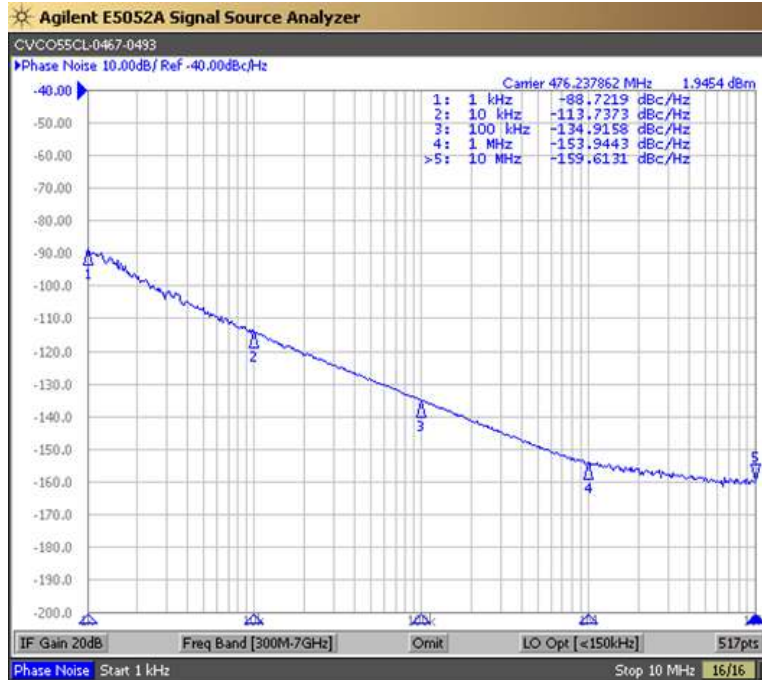
Product Control:

| | | | |
|----------------------|--------------------|---------------|-----------|
| Crystek Part Number: | CRBV55CL-0467-0493 | Release Date: | 02-Feb-09 |
| Revision Level: | C | Responsible: | C. Vales |

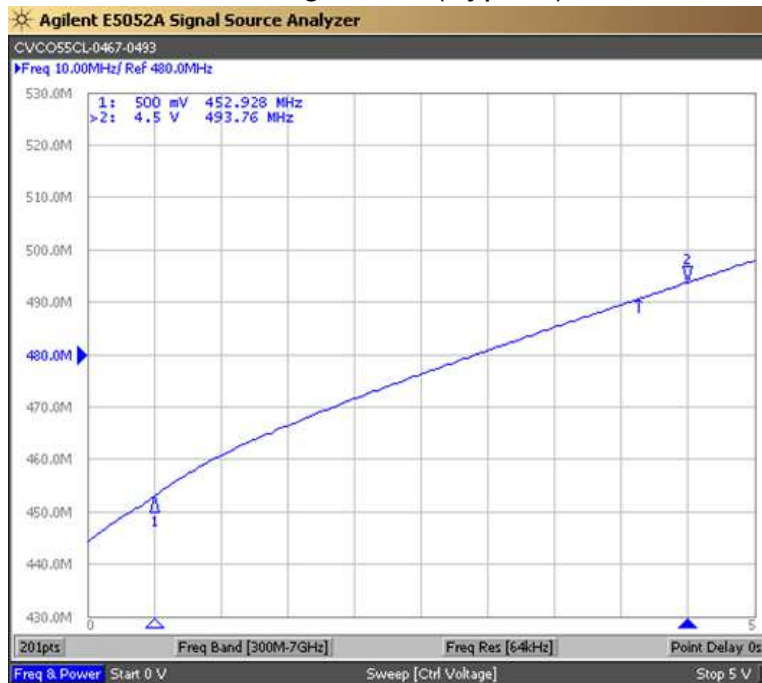




Phase Noise (1 Hz BW, Typical)



Tuning Curve (Typical)



Product Control:

| | | | |
|----------------------|--------------------|---------------|-----------|
| Crystek Part Number: | CRBV55CL-0467-0493 | Release Date: | 02-Feb-09 |
| Revision Level: | C | Responsible: | C. Vales |

Specification is subject to change without notice