



Chipsmall Limited consists of a professional team with an average of over 10 year of expertise in the distribution of electronic components. Based in Hongkong, we have already established firm and mutual-benefit business relationships with customers from,Europe,America and south Asia,supplying obsolete and hard-to-find components to meet their specific needs.

With the principle of "Quality Parts,Customers Priority,Honest Operation,and Considerate Service",our business mainly focus on the distribution of electronic components. Line cards we deal with include Microchip,ALPS,ROHM,Xilinx,Pulse,ON,Everlight and Freescale. Main products comprise IC,Modules,Potentiometer,IC Socket,Relay,Connector.Our parts cover such applications as commercial,industrial, and automotives areas.

We are looking forward to setting up business relationship with you and hope to provide you with the best service and solution. Let us make a better world for our industry!



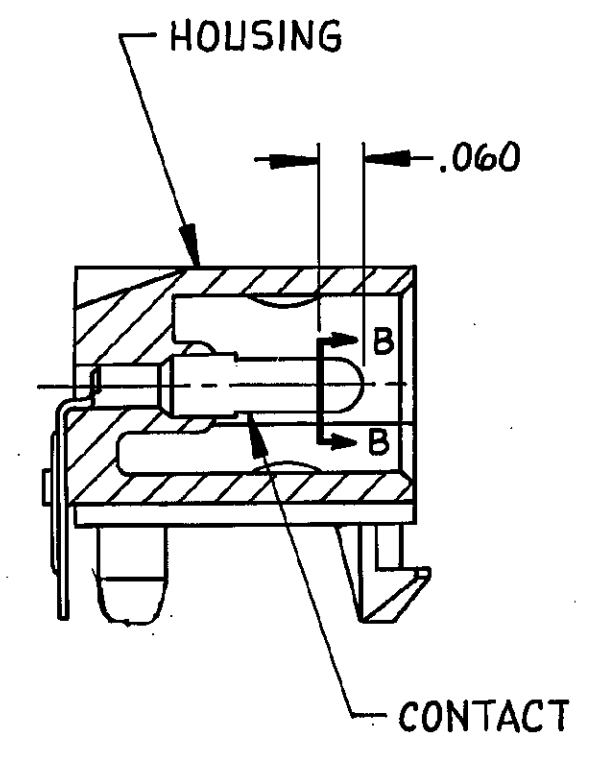
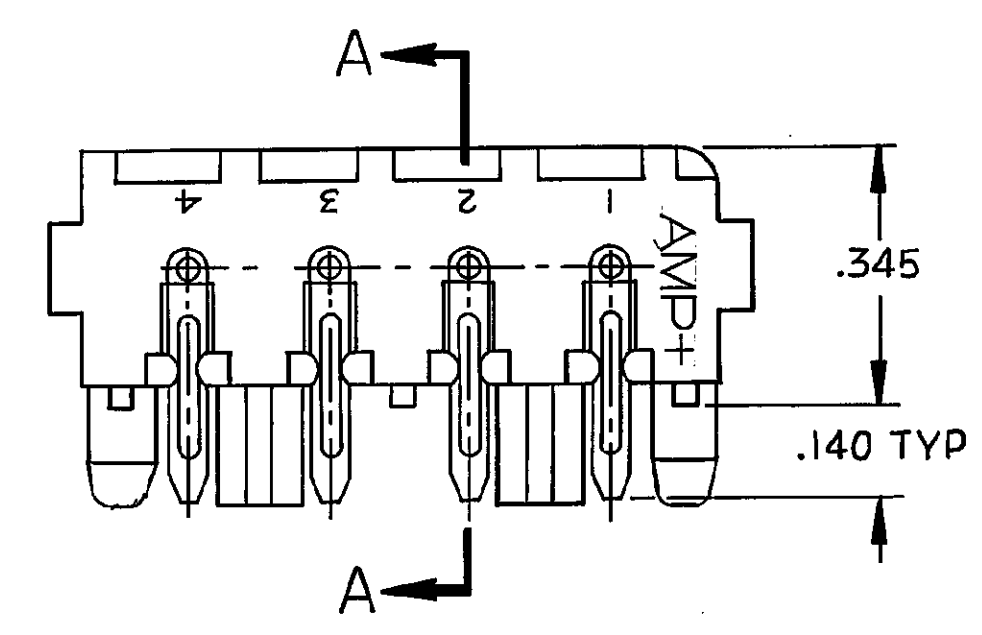
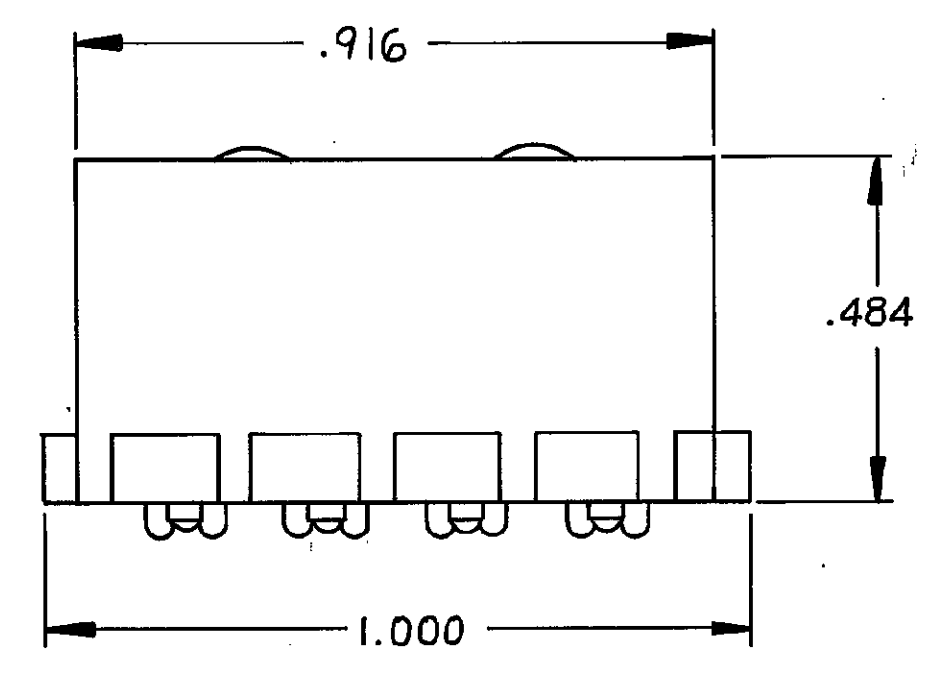
Contact us

Tel: +86-755-8981 8866 Fax: +86-755-8427 6832

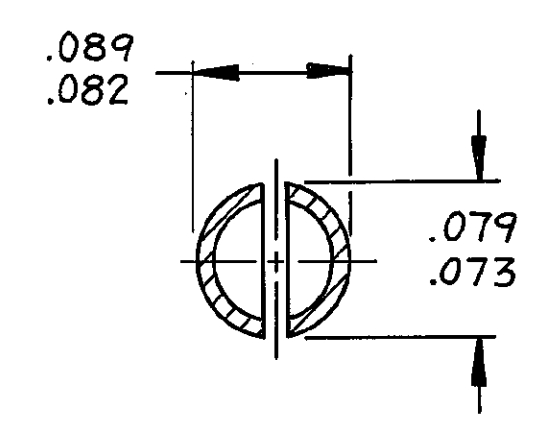
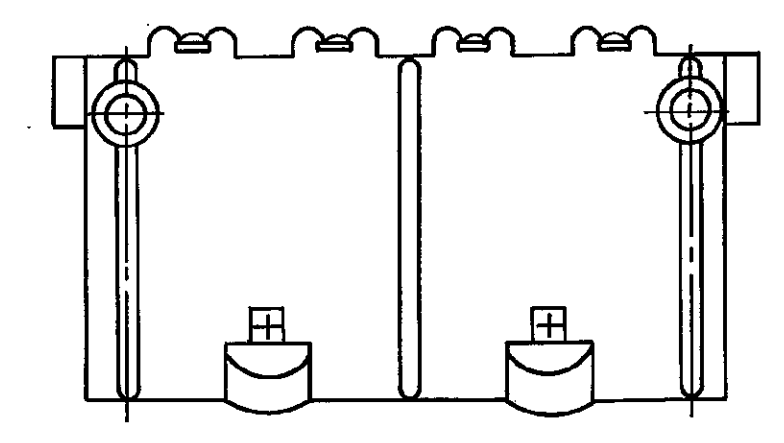
Email & Skype: info@chipsmall.com Web: www.chipsmall.com

Address: A1208, Overseas Decoration Building, #122 Zhenhua RD., Futian, Shenzhen, China

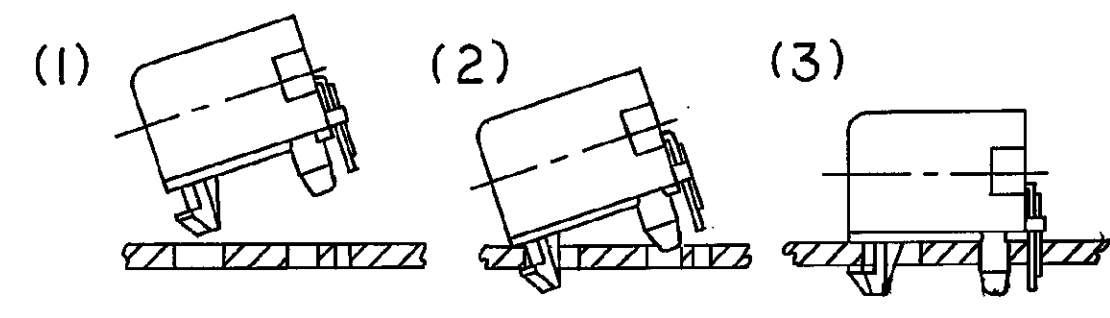




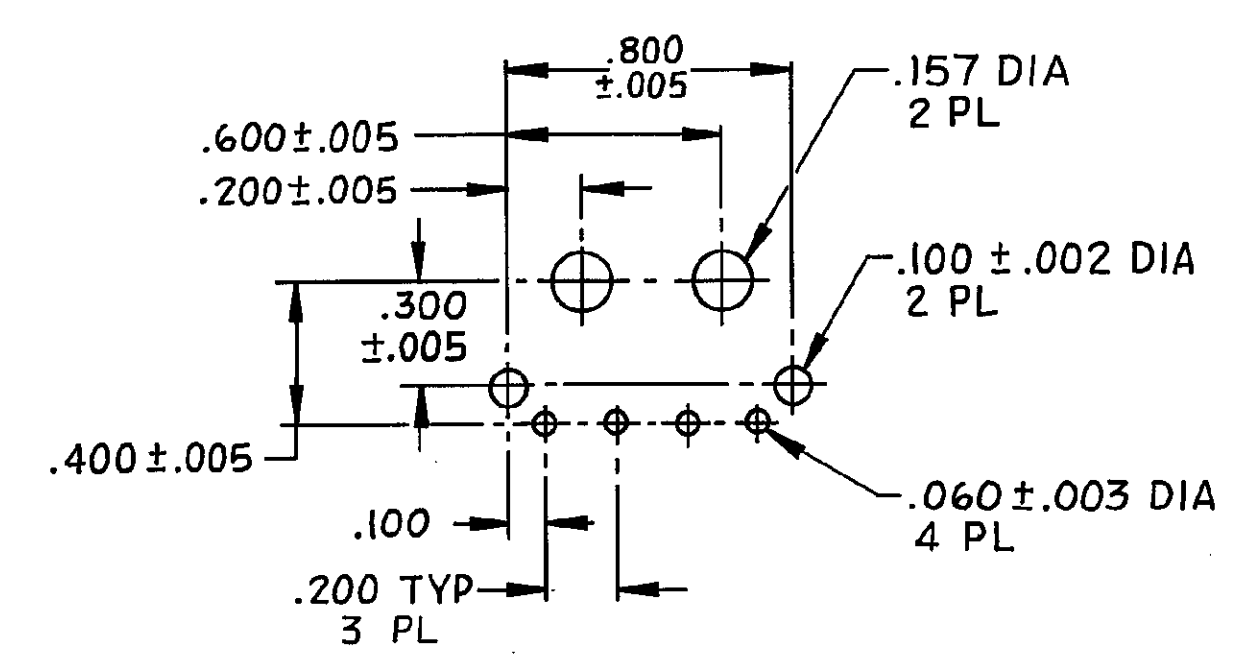
SECTION A-A



SECTION B-B
SCALE 10:1



MOUNTING PROCEDURE



RECOMMENDED LAYOUT
FOR .062 THK P.C. BOARD
SCALE 2-1

- PARTS COMPLY WITH AMP SOLDERABILITY SPEC 109-II-3.
 - RECOMMENDED EXPOSURE TO SOLDER WAVE (490°F) NOT TO EXCEED 5 SECONDS.
- ⚠ MATERIAL - HOUSING: NYLON UL94V-2 (NATURAL). CONTACT: PHOS BRONZE (PRE-TIN).
 - ⚠ MATERIAL - HOUSING: NYLON UL94V-0 (WHITE). CONTACT: PHOS BRONZE (PRE-TIN).

UNLESS OTHERWISE SPECIFIED DIMENSIONS ARE IN INCHES. TOLERANCES ON: DECIMALS ± .015 ANGLES ± .015		CONTRACT NO.		FINISH		MATERIAL		PART NO.	
MATERIAL		DR. <i>H. Sullivan</i> 6-27-84		TE Connectivity		1-641737-1		641737-1	
SEE TABLE		CHK. <i>M. Jones</i> 6-29-84		NAME		P.C. HEADER, RIGHT ANGLE MOUNT, COMMERCIAL MATE-N-LOK, 4 CKT			
FINISH		APPD. <i>R. Glavin</i> 6-29-84		SIZE		FSCM NO.		DRAWING NO.	
SEE TABLE		OTHER APPD.		D		00779		641737	
				SCALE 4-1		SHEET			