



Chipsmall Limited consists of a professional team with an average of over 10 year of expertise in the distribution of electronic components. Based in Hongkong, we have already established firm and mutual-benefit business relationships with customers from,Europe,America and south Asia,supplying obsolete and hard-to-find components to meet their specific needs.

With the principle of "Quality Parts,Customers Priority,Honest Operation,and Considerate Service",our business mainly focus on the distribution of electronic components. Line cards we deal with include Microchip,ALPS,ROHM,Xilinx,Pulse,ON,Everlight and Freescale. Main products comprise IC,Modules,Potentiometer,IC Socket,Relay,Connector.Our parts cover such applications as commercial,industrial, and automotives areas.

We are looking forward to setting up business relationship with you and hope to provide you with the best service and solution. Let us make a better world for our industry!



Contact us

Tel: +86-755-8981 8866 Fax: +86-755-8427 6832

Email & Skype: info@chipsmall.com Web: www.chipsmall.com

Address: A1208, Overseas Decoration Building, #122 Zhenhua RD., Futian, Shenzhen, China



Data Stream RS485 Digital Transducer

DIN RAIL / PANEL MOUNT



CRD5110
Single Element - .26" Window
150 to 300 VAC
1 to 25 AAC Input Range



CRD5150
Two Element - .26" Window
150 to 300 VAC
1 to 25 AAC Input Range



CRD5170
Three Element - .26" Window
150 to 300 VAC
1 to 25 AAC Input Range

The **CRD5100** Series Data Stream Digital Transducers are designed for complete monitoring of electrical power systems. The digital technology is used to measure voltage, current, power frequency and energy in single and three phase designs. The data is streamed over an RS485 IEEE bus which enables multiple transducers to communicate thru a single master connection. These advanced sensors are ideal for entire plant or zone monitoring. Also, the communication algorithm can be pre-ordered with ASCII based control or modified MODBUS based control.

Sensing

Voltage, True RMS
Current, True RMS
Active Power, bi-directional
Active Energy, bi-directional
Reactive Power, bi-directional
Reactive Energy, bi-directional
Power Factor
Frequency

Applications

Sub-Metering
Motor Loads
Uninterruptible Power Systems
Remote Monitoring
Load Shedding
Energy Management

Features

35mm DIN Rail or Panel Mount
24 VDC powered
Use with external current transformers
Highest precision available
Connection diagram printed on case

Regulatory Agencies



PART NUMBERS

CRD5110	-	-	-	1 Element, AC Multifunction RS485 Digital Transducer
CRD5150	-	-	-	3 Phase, 3-Wire AC Multifunction RS485 Digital Transducer
CRD5170	-	-	-	3 Phase, 4-Wire AC Multifunction RS485 Digital Transducer

		└─	1	-	0-1 AAC
			5	-	0-5 AAC
150	-		15	-	0-15 AAC
300	-		25	-	0-25 AAC

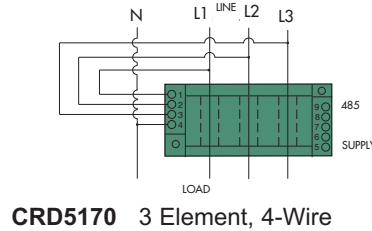
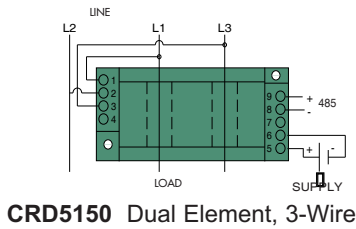
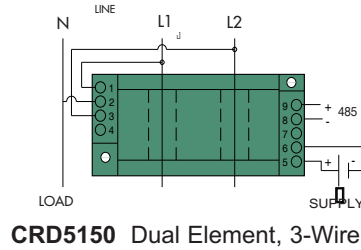
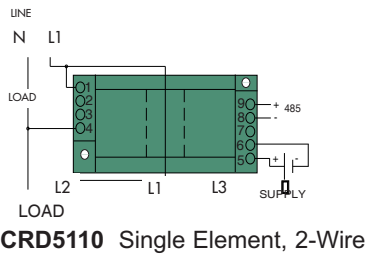
Available up to and including 600 VAC
Above 30 AAC must use 5 amp CT

Note: Add an M at the end for MODBUS CRD5110-150-5-M

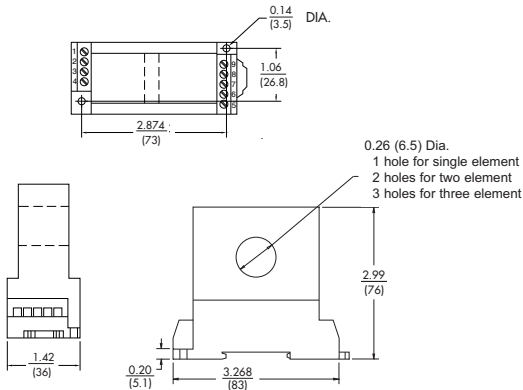
SPECIFICATIONS

Basic Accuracy:0.5%	Torque Specifications:3.0 inch lbs (0.4Nm)
Calibration:True RMS Sensing	Response Time:250 ms. max. 0-90% FS
Thermal Drift:500 PPM/°C	Relative Humidity:80% for temperatures up to 31°C and decreasing linearly to 50% at 40°C
Operating Temperature ₁ :0°C to +60°C	Output Resolution:16 bit
Installation Category:CAT II	Transducer fanout on common bus:64 max.
Vibration Tested To:IEC 60068-2-6,1995	Baud Rate ₃ :1200, 2400, 4800, 9600,19.2K .bps
Pollution Degree:2	A/D Conversion Type:4th order Delta Sigma
Insulation Voltage:2500 VDC	Device Address ₃ :00 to FF
Altitude:2000 meter max	Data Format:ASCII
Frequency Range:20 Hz - 5 KHz	Supply Current:.....Typical 30mA Max 30mA
MTBF:Greater than 100K hours	Weight:..0.5 lbs.
Cleaning:Water-dampened cloth	
Supply Voltage ₂ :24 VDC ±10%	
1) RH 5% to 95%, non-condensing 2) 0.4% max. ripple Vpp	
3) Factory default settings: address 01, baud rate 9600, no parity, no flow control, 1 stop bit	

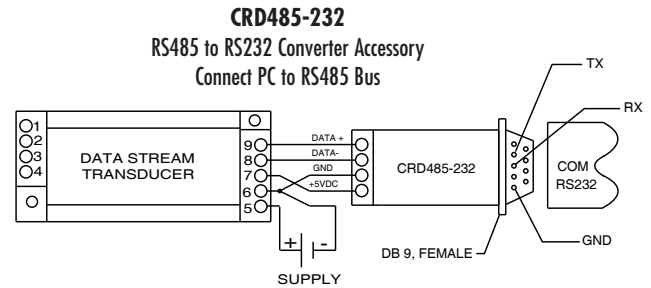
Data Stream



Connection Diagram



OUTLINE DRAWING



ASCII Simplified Programming Commands

A simplified data structure is used with only 6 commands required for full control of the transducer. Commands are : Read Transducer Name, Read Configuration, Set Configuration, Read Measurements, Read Energy Totalizer and Clear Energy Totalizer. For illustration, the following commands are used to read data from a CRD5170 3 Phase, 4 Wire Transducer with a device address of 00.

Command Transducer to Read Data: #00A<cr>
Transducers Response: >+[% FS Voltage_{L1-N}]+[% FS Current_{L1}]+[% FS Voltage_{L2-N}]+[% FS Current_{L2}]+[% FS Voltage_{L3-N}]+[% FS Current_{L3}],[+/- % FS Power][+/- % FS VARS][+/-Power Factor][Frequency]<cr>
Command Transducer to Read Energy Totalizer: #00W<cr>
Transducer Response: 01[+/-KWHr][+/-KVHr][check sum]<cr>

Note: This is for illustration purposes only, See Applications Guides (Section I for complete instructions.