



Chipsmall Limited consists of a professional team with an average of over 10 year of expertise in the distribution of electronic components. Based in Hongkong, we have already established firm and mutual-benefit business relationships with customers from,Europe,America and south Asia,supplying obsolete and hard-to-find components to meet their specific needs.

With the principle of “Quality Parts,Customers Priority,Honest Operation,and Considerate Service”,our business mainly focus on the distribution of electronic components. Line cards we deal with include Microchip,ALPS,ROHM,Xilinx,Pulse,ON,Everlight and Freescale. Main products comprise IC,Modules,Potentiometer,IC Socket,Relay,Connector.Our parts cover such applications as commercial,industrial, and automotives areas.

We are looking forward to setting up business relationship with you and hope to provide you with the best service and solution. Let us make a better world for our industry!



## Contact us

Tel: +86-755-8981 8866 Fax: +86-755-8427 6832

Email & Skype: info@chipsmall.com Web: www.chipsmall.com

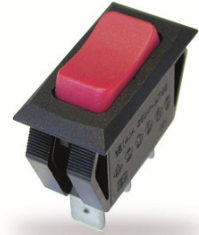
Address: A1208, Overseas Decoration Building, #122 Zhenhua RD., Futian, Shenzhen, China



# Rocker Switch

## Single Pole

CR Series



### Features

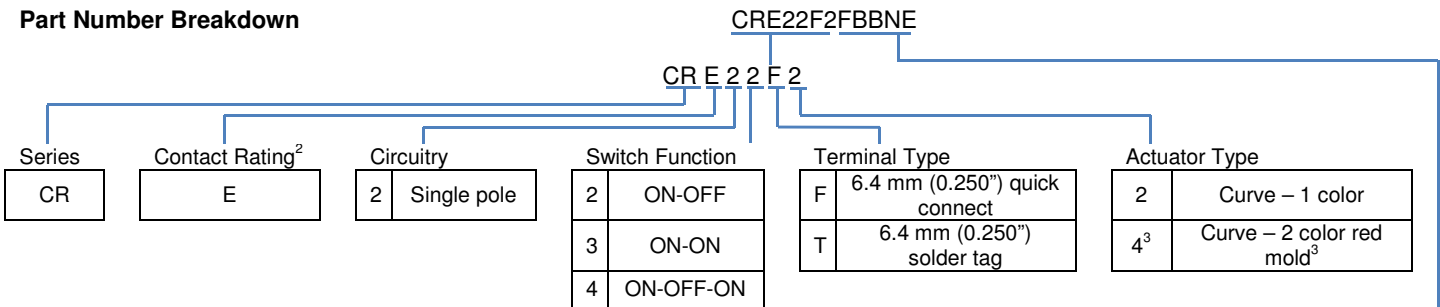
- Rugged design rated for 20 A UL (16 A VDE)
- Washable option available
- Two-color actuator available
- RoHS Compliant
- Lighted and non-lighted versions
- Minimum 100,000 operations mechanical life

### Standard Parts<sup>1</sup>

| North America and Europe |              |              |              | Europe        |
|--------------------------|--------------|--------------|--------------|---------------|
| CRE22F2BBALE             | CRE22F2BBULE | CRE22F2PBBNE | CRE22F4FBBNE | CRE22F2BBAAEE |
| CRE22F2BBBNE             | CRE22F2FBBNE | CRE22F4BBBNE | CRE23F2BBBNE | CRE22F2BBGEE  |
| CRE22F2BBGLE             | CRE22F2FBRNE | CRE22F4DBBNE | CRE24F2HBBNE | CRE22F2BBREE  |
| CRE22F2BBRLE             |              |              |              |               |

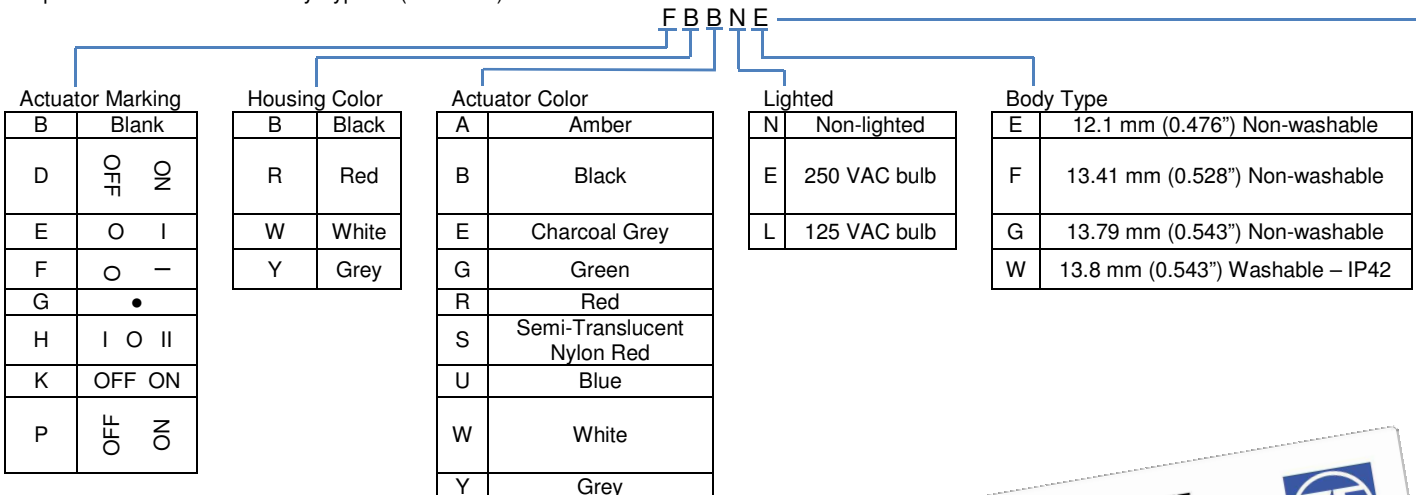
<sup>1</sup>The part number configuration matrix below provides details to the part numbers above.  
For configurable part numbers that are not listed above or for custom part numbers, contact the factory or your distributor.

### Part Number Breakdown



<sup>2</sup>See Electrical Specifications section

<sup>3</sup>Option not available with Body Type W (washable)



PLEASE NOTE  
**CHERRY**  
 will become  
**ZF** in 2017.



## Electrical Specifications

|                               |                          |                             |              |                       |
|-------------------------------|--------------------------|-----------------------------|--------------|-----------------------|
| Inrush Rating                 |                          |                             |              | 24 A                  |
| Dielectric Strength           |                          |                             |              | 1000 VAC for 1 minute |
| Insulation Resistance         |                          |                             |              | 100 MΩ min at 500 VDC |
| Initial Contact Resistance    |                          |                             |              | 0.020 Ω max           |
| <b>Electrical Ratings</b>     |                          |                             |              |                       |
| <u>Switch Function</u>        | <u>EN61058-1</u>         | <u>UL Gen Purpose 1054</u>  | <u>UL HP</u> |                       |
| 2 and 3                       | 16 (4) A 250 VAC T125/55 | 20 A 125 VAC / 16 A 250 VAC | ¾ HP 250 VAC |                       |
| 4                             | 16 (4) A 250 ~ μ T125/55 | 20 A 125 VAC / 16A 250 VAC  | ¾ HP 250 VAC |                       |
| Electrical Life at Rated Load | <u>VDE</u>               | <u>UL</u>                   |              |                       |
| Minimum Operations            | 10,000                   | 6,000                       |              |                       |
| UL File No: E23301            |                          |                             |              |                       |

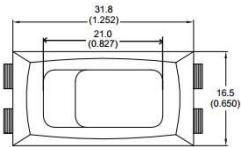
## Material and Environmental Specifications

|                             |                                     |
|-----------------------------|-------------------------------------|
| Actuator, non-lighted       | Nylon 66 94V-2                      |
| Actuator, lighted           | Polycarbonate                       |
| Base                        | Nylon 66 94V-2                      |
| Spring                      | Steel Wire                          |
| Contacts                    | Silver Alloy                        |
| Movable Arm                 | Silver-Plated Copper Alloy          |
| Terminals                   | Tin-Plated Copper Alloy             |
| Operating Temperature Range | -20 °C to +85 °C (-4 °F to +185 °F) |

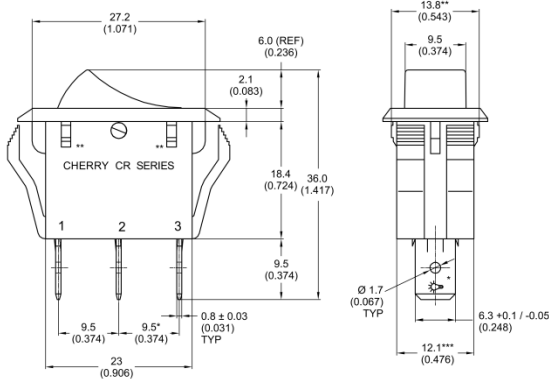
## Circuitry and Switch Functions



## Dimensions mm (inches)



| Panel thickness | Recommended Panel Cut-Out Dimensions |                             |                             |
|-----------------|--------------------------------------|-----------------------------|-----------------------------|
|                 | Body Type E                          | Body Type G                 | Body Type W                 |
| 0.75 to 1.25 mm | 28.6 +0.1/-0 x 12.2 +0.1/-0          | 28.6 +0.1/-0 x 13.9 +0.1/-0 | 28.6 +0.1/-0 x 13.9 +0.1/-0 |
| 1.25 to 2.00 mm | 28.8 +0.1/-0 x 12.2 +0.1/-0          | 28.8 +0.1/-0 x 13.9 +0.1/-0 | 28.8 +0.1/-0 x 13.9 +0.1/-0 |
| 2.00 to 3.00 mm | 29.2 +0.1/-0 x 12.2 +0.1/-0          | 29.2 +0.1/-0 x 13.9 +0.1/-0 | 29.2 +0.1/-0 x 13.9 +0.1/-0 |



\* TERMINAL 3 NOT ON UNLIGHTED ON-OFF SWITCHES  
 \*\* HOUSING RIBS NOT AVAILABLE ON BODY TYPE E  
 \*\*\* BODY TYPES E, G. 12.8 (0.504) FOR BODY TYPE W  
 ALL TOLERANCES ± 0.3 mm (0.012 in) UNLESS OTHERWISE SPECIFIED

