



Chipsmall Limited consists of a professional team with an average of over 10 year of expertise in the distribution of electronic components. Based in Hongkong, we have already established firm and mutual-benefit business relationships with customers from,Europe,America and south Asia,supplying obsolete and hard-to-find components to meet their specific needs.

With the principle of “Quality Parts,Customers Priority,Honest Operation,and Considerate Service”,our business mainly focus on the distribution of electronic components. Line cards we deal with include Microchip,ALPS,ROHM,Xilinx,Pulse,ON,Everlight and Freescale. Main products comprise IC,Modules,Potentiometer,IC Socket,Relay,Connector.Our parts cover such applications as commercial,industrial, and automotives areas.

We are looking forward to setting up business relationship with you and hope to provide you with the best service and solution. Let us make a better world for our industry!



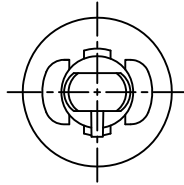
Contact us

Tel: +86-755-8981 8866 Fax: +86-755-8427 6832

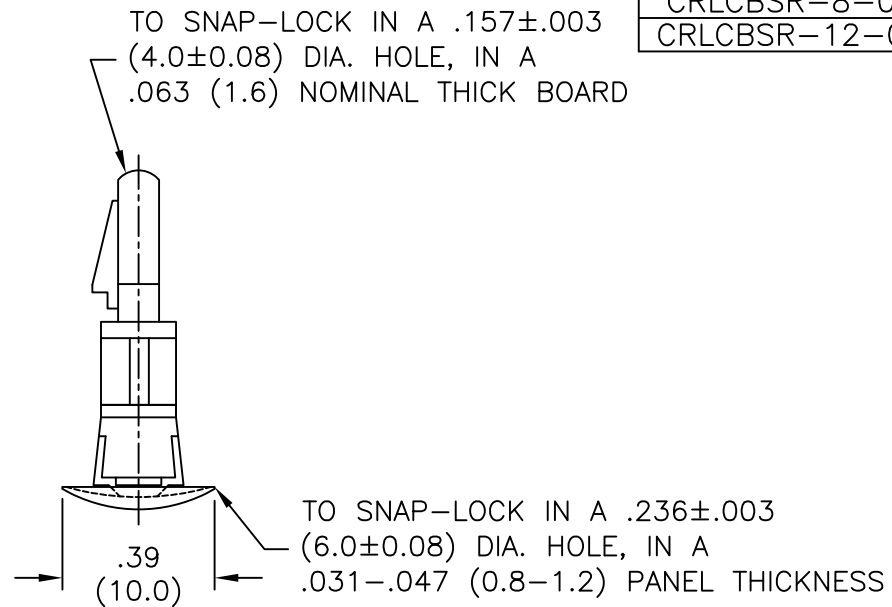
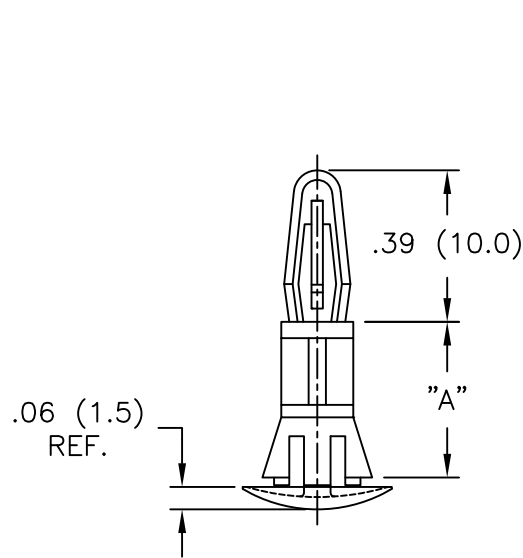
Email & Skype: info@chipsmall.com Web: www.chipsmall.com

Address: A1208, Overseas Decoration Building, #122 Zhenhua RD., Futian, Shenzhen, China





PART NO.	DIM. "A" ±.015(0.4)
CRLCBSR-3-01	3/16 (4.8)
CRLCBSR-4-01	1/4 (6.4)
CRLCBSR-5-01	5/16 (8.0)
CRLCBSR-6-01	3/8 (9.5)
CRLCBSR-8-01	1/2 (12.7)
CRLCBSR-12-01	3/4 (19.0)



NOTES:

1. MATERIAL: NYLON 6/6 (RMS-01).
FLAME RETARDANT, NYLON (RMS-19),
AVAILABLE BY SPECIAL ORDER ONLY.
TO ORDER, REPLACE "-01" WITH "-19"
2. MATERIAL: NYLON 4/6, HEAT STABILIZED, (RMS-109)
AVAILABLE BY SPECIAL ORDER ONLY.
TO ORDER, REPLACE "-01" WITH "-109".
3. COLOR: NATURAL.
BLACK, AVAILABLE BY SPECIAL ORDER ONLY.
TO ORDER, ADD "BK" TO PART NO.

F	ADDED NOTE 2 (RMS-109) BY SPECIAL ORDER	SM 06.06.02
E	UPDATED NOTES AND CHANGED FILE NO.	SM 05.08.02
D	DIM. TO S-L IN .24 (6.0)... ADDED; TABLE REDUCED; UL NOTES ADDED	PB 07.10.95
C	DIMS IN CHASSIS THKNS PUT TO 3 PLACES	PB 11.23.94
B	CONVERTED TO ACAD; DIM "A" WAS .411	PB 07.29.94
A	COMPLETE REDRAW, .40 WAS .39, .06 WAS .07, RMS-01 WAS RMS-48	RT 03.10.94
REV	DESCRIPTION	ENGR DATE

TITLE: CUPPED REVERSE LOCKING CBS, ROUND HOLE

TOLERANCES UNLESS NOTED
.XX=±.010
.XXX=±.005
FRAC=1/64
ANG=1°

FILE # CRLCBSR
MAT'L: SEE NOTES
RE: RICHCO, INC.

DWN: P.B.
DT: 07-29-94
APP:
DT:
RICHCO INC.
PO BOX 804238, CHICAGO, 60680
(773) 539-4060

		DWG IN IN (MM)	
PART #		FINAL	PRINT TYPE
SEE TABLE			CA