



Chipsmall Limited consists of a professional team with an average of over 10 year of expertise in the distribution of electronic components. Based in Hongkong, we have already established firm and mutual-benefit business relationships with customers from,Europe,America and south Asia,supplying obsolete and hard-to-find components to meet their specific needs.

With the principle of “Quality Parts,Customers Priority,Honest Operation,and Considerate Service”,our business mainly focus on the distribution of electronic components. Line cards we deal with include Microchip,ALPS,ROHM,Xilinx,Pulse,ON,Everlight and Freescale. Main products comprise IC,Modules,Potentiometer,IC Socket,Relay,Connector.Our parts cover such applications as commercial,industrial, and automotives areas.

We are looking forward to setting up business relationship with you and hope to provide you with the best service and solution. Let us make a better world for our industry!



Contact us

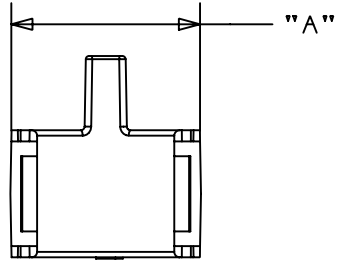
Tel: +86-755-8981 8866 Fax: +86-755-8427 6832

Email & Skype: info@chipsmall.com Web: www.chipsmall.com

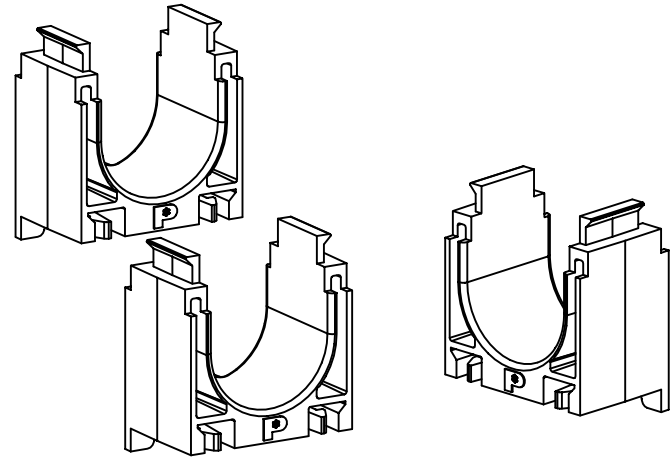
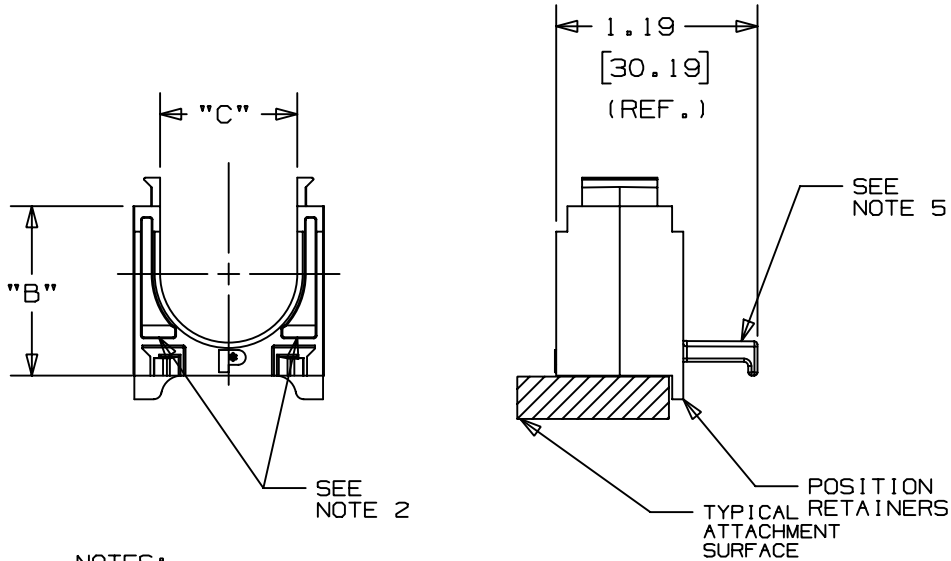
Address: A1208, Overseas Decoration Building, #122 Zhenhua RD., Futian, Shenzhen, China



THIS COPY IS PROVIDED ON A RESTRICTED BASIS AND IS NOT TO BE USED IN ANY WAY DETRIMENTAL TO THE INTERESTS OF PANDUIT CORP.



PANDUIT PART NO. *	DIMENSIONS			WEIGHT lbs / 10 (grams) / pcs
	"A"	"B"	"C"	
CRS1 - _	1.125 (28.58)	1.000 (25.40)	0.810 (20.57)	0.112 (50.8)



NOTES:

- *1. SEE CURRENT PRICE SHEET FOR PART NUMBER SUFFIX DESIGNATION FOR PACKAGE SIZE AND COLOR.
2. PRODUCT IS MOUNTED TO APPLICATION SURFACE USING (2) CABLE TIES, UP TO A STANDARD CROSS-SECTION.
3. THIS PRODUCT CONTAINS A MALE/FEMALE ATTACHMENT SYSTEM. MAXIMUM STACK HEIGHT IS EQUAL TO 5 PARTS.
4. STANDARD CABLE TIES OR VELCRO TIES CAN BE USED TO SECURE CABLE TO THE PART.
5. PARTS ARE REVERSIBLE TO ALLOW ALTERNATING CABLE TIE TABS.

DIMENSIONS IN BRACKETS ARE METRIC [mm]

CAD FILENAME/LAYERS

G02185DC_PB_CRS1_00

PANDUIT

CORP.

TINLEY PARK, ILLINOIS

CABLE RACK SPACER
(CRS1 - _)

UNLESS OTHERWISE SPECIFIED,
DIMENSIONAL TOLERANCES ARE:
(.X) ±0.05 (1.3) (.XXX) ±0.010 (0.25)
(.XX) ±0.02 (0.5) ANGLES ± 5°

UNLESS OTHERWISE SPECIFIED,
ALL DIMENSIONS ARE GIVEN
IN INCHES, THIRD ANGLE PROJECTION.

DRAWN BY

JAD

MAT'L:

POLYCARBONATE
ABS BLEND

SCALE

NONE

DATE

2-28-2000

DRAWING NO.

GB2185DC

DWG

A
SIZE

CHK'D

REV	DATE	BY	CHK	DESCRIPTION	ECN	R	CUST	SUP
R	2-28-00	JAD		INITIAL RELEASE	GB2185DC	R		